

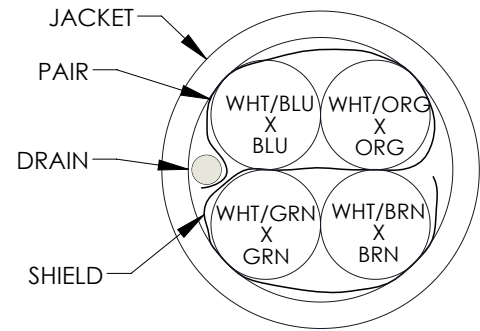
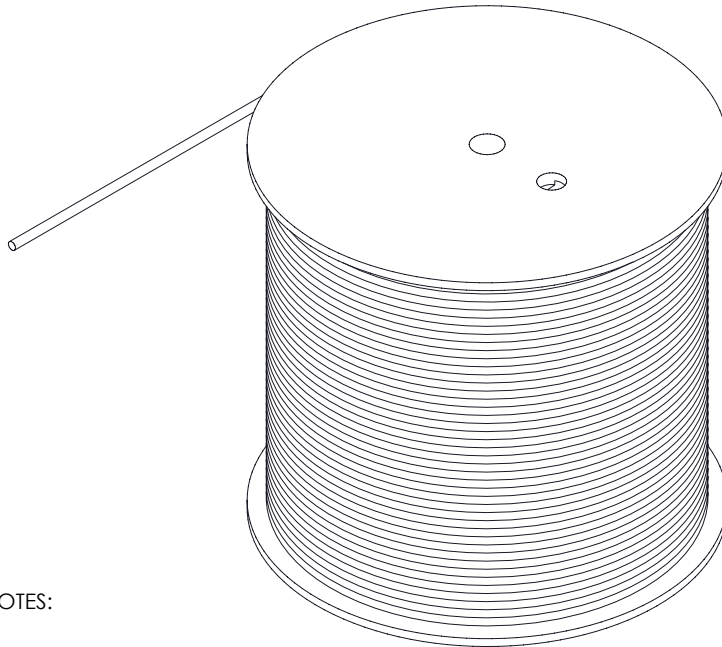
THE INFORMATION CONTAINED IN THIS DRAWING IS THE SOLE PROPERTY OF L-COM, INC. ANY REPRODUCTION IN PART OR WHOLE WITHOUT THE WRITTEN PERMISSION OF L-COM, INC. IS PROHIBITED.

REVISIONS			
REV	DESCRIPTION	DATE	APPROVAL
A	INITIAL RELEASE	01/27/2016	DFRISIELLO
B	ECN 9547: REVISED CROSS SECTIONAL VIEW	12/05/2018	DFRISIELLO

**TFC628A-BL**

TFC628A-BL CONSISTS OF 1000 FEET OF CONTINUOUS LENGTH BULK CABLE

**CROSS-SECTIONAL VIEW**



**COLOR CODE**  
 1) WHITE/ORANGE X ORANGE  
 2) WHITE/BROWN X BROWN  
 3) WHITE/GREEN X GREEN  
 4) WHITE/BLUE X BLUE

**NOTES:**

**1. CONSTRUCTION:**  
 CONDUCTOR: 28 AWG 7/36 STRANDED TINNED COPPER  
 INSULATION: HIGH DENSITY POLYETHYLENE, .008" NOM. WALL THICKNESS  
 PAIRS: COLOR CODED SINGLES TWISTED INTO PAIRS  
 CABLE: (4) TWISTED PAIRS TWISTED TOGETHER TO FORM A CABLE CORE  
 SHIELD: AN ALUMINUM POLYESTER ALUMINUM FOIL SHIELD (100% COVERAGE) SHALL BE APPLIED OVER THE CABLE CORE AND SHALL INCLUDE A 28AWG STRANDED TINNED COPPER DRAIN WIRE IN CONTACT WITH THE OUTER SURFACE  
 JACKET: POLYVINYLCHLORIDE, (COLOR, BLUE), .020" NOM. WALL THICKNESS  
 OVERALL CABLE DIAMETER

NOM. DIA.  
 .015"  
 .031" MIN  
 .0322" MAX  
 .064"

.146"

.186" NOM  
 .191" MAX

**2. PHYSICAL PROPERTIES:**  
 TEMPERATURE RATING, MAX. 75°C  
 TEMPERATURE RATING, MIN. -20°C  
 WT./M', NOM., NET. 15.2 LBS.

**3. AGENCY APPROVALS:**  
 NEC (UL) TYPE CMR  
 CEC C(UL) TYPE CMR

**4. APPLICATION:**  
 MEETS TIA 568 C.2 CHANNEL REQUIREMENTS AT 56 METERS. 7.8 METERS OF PATCH CABLE WITH A 90 METERS PERMANENT LINK (97.8 METER CHANNEL) OR 10 METERS OF PATCH CABLE WITH AN 86 METER PERMANENT LINK (94 METER CHANNEL).

**5. PRINT: (BLACK INK )**  
 (MANUFACTURER NAME) DATAMAX MINI-6a F/UTP PATCH CORD P/N (MANUFACTURER P/N) -- PATENT PENDING -- C(UL) US TYPE CMR 28 AWG 75C -- RoHS -- (LOT DESIGNATOR) (SEQUENTIAL FOOTAGE)

**6. ELECTRICAL CHARACTERISTICS: (FOR 100m OF CABLE)**  
 CAPACITANCE, MUTUAL, NOM. 13.5 PF/FT. AT 1 MHZ  
 DIELECTRIC WITHSTANDING, MIN. 1500V RMS  
 VOLTAGE RATING, MAX. 300V  
 D.C. RESISTANCE, NOM. 68.2 Ω/1000'  
 IMPEDANCE 100 +/- 15 Ω 1-500 MHZ  
 IMPEDANCE, SMOOTHED 100 +/- 10 Ω TYPICAL 5 - 500 MHZ  
 RETURN LOSS  
 1 ≤ f < 10 MHZ 20 + 5 LOG (f) dB MIN  
 10 ≤ f < 20 MHZ 25 dB MIN  
 20 ≤ f ≤ 500 MHZ 25- 8.6 LOG(f/20) dB MIN

**7. PACKAGING:**  
 CABLE SHIPPED ON A REEL

**REGULATORY COMPLIANCE:**  
 CE2011/65/EU (RoHS DIRECTIVE)

UNLESS OTHERWISE SPECIFIED, DIMENSIONS ARE IN INCHES [mm] OVERALL CABLE LENGTH TOLERANCE: ≤12 [305] = +1 [25] / -0 >12 [305] - 60 [1524] = +2 [51] / -0 >60 [1524] - 120 [3048] = +4 [102] / -0 >120 [3048] - 300 [7620] = +6 [152] / -0 >300 [7620] = +5% / -0% ALL OTHER DIMENSIONAL TOLERANCES: .X = .2 [5.08] .XX = .02 [51] .XXX = .005 [13]	APPROVALS	DATE		50 HIGH STREET NORTH ANDOVER, MA 01845
	DRAWN BY DCUI	01/27/2016		
	CHECKED BY BZHANG	01/27/2016	CATEGORY	
	APPROVED BY SPAN	01/27/2016	TELECOM/MODULAR	
PROJECTION	CONFIGURATION DETAILS OF UNDIMENSIONED FEATURES MAY VARY		PRODUCT DESCRIPTION	
	COLOR VARIATIONS MAY OCCUR		C6A FTP 4PR/28 STR PVC BL	
	SIZE	FSCM NO.	DWG. NO.	REV.
	A	43321	TFC628A-BL	B
SCALE: 1:4			CAD FILE: TFC628A-BL.SLDDRW	SHEET 1 OF 1