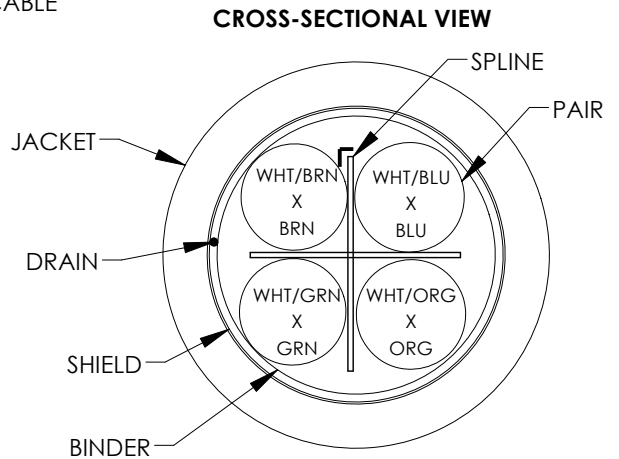
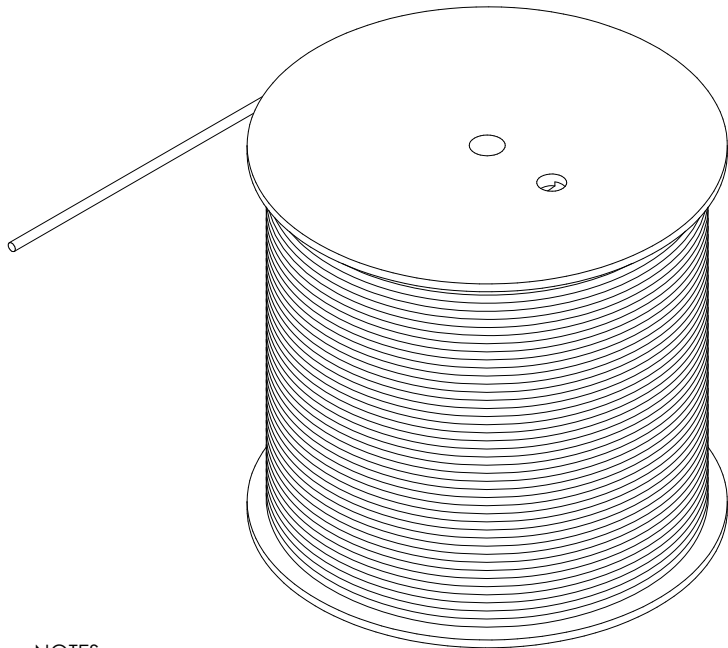


THE INFORMATION CONTAINED IN THIS DRAWING IS THE SOLE PROPERTY OF L-COM, INC. ANY REPRODUCTION IN PART OR WHOLE WITHOUT THE WRITTEN PERMISSION OF L-COM, INC. IS PROHIBITED.

REVISIONS			
REV	DESCRIPTION	DATE	APPROVAL
B	ECN 10744, UPT PER VENDOR SPEC, NEW FORMAT	10/23/2020	GUITADAURO
C	ECN 11118 UPDATE PER VENDOR SPEC	04/30/2021	GUITADAURO

TFCLS6005-BLU CONSISTS OF 1000FEET OF CONTINUOUS LENGTH OF BULK CABLE



COLOR CODE
 BLUE x WHITE/BLUE
 ORANGE x WHITE/ORANGE
 GREEN x WHITE/GREEN
 BROWN x WHITE/BROWN

NOTES:


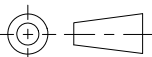
- CONSTRUCTION:**
 CONDUCTOR: 26 AWG 7/34 STRANDED TINNED COPPER
 INSULATION: HIGH DENSITY POLYETHYLENE, .009" NOM. WALL THICKNESS
 PAIRS: COLOR CODED SINGLES TWISTED INTO PAIRS
 CABLE: (4) TWISTED PAIRS TWISTED TOGETHER WITH A CENTRAL SPLINE AND WRAPPED WITH A CLEAR POLYESTER BINDER TO FORM A CABLE CORE
 SHIELD: AN ALUMINIZED POLYESTER FOIL SHIELD (FOIL IN, 100% COVERAGE) WITH A 26AWG 7/34 STRANDED TINNED COPPER DRAIN WIRE IN CONTACT WITH METALIZED SURFACE SHALL BE APPLIED OVER THE CABLE CORE
 JACKET: LOW SMOKE ZERO HALOGEN, COLOR: BLUE, .032" NOM. WALL THICKNESS OVERALL CABLE DIAMETER

 NOM. DIA.
 .019"
 .036"
 .072"

 .205"

 .208"

 .265" NOM.
 .275" MAX.
 (BY PI TAPE)
- PHYSICAL PROPERTIES:**
 TEMPERATURE RATING, MAX: +75 °C
 TEMPERATURE RATING, MIN: -20 °C
 FLAME RATING: VW-1
 CORROSIVE GAS: IEC 60754-2
 SMOKE EMISSION: IEC 61034-1&-2
 WT./M', NOM., NET.: 30.1 LBS
 BEND RADIUS, MIN., (STATIC, 1 BEND IN ASSEMBLY) 1"
- ELECTRICAL CHARACTERISTICS:** SEE SHEET 2
- AGENCY APPROVALS:**
 NEC (ETL) TYPE CMX
 CEC C(ETL) TYPE CMX
- APPLICATION:**
 SHIELDED FLEXIBLE PATCH/JUMPER CABLE TO SUPPORT SCREENED 568.2-D CATEGORY 6a APPLICATIONS.
 RoHS COMPLIANT MATERIALS
- JACKET PRINT (BLACK):**
 QUABBIN DATAMAX 6a F/UTP 100 OHM PATCH CORD P/N (MANUFACTURER P/N)--LOW SMOKE ZERO HALOGEN
 TIA-568.2-D CAT 6a--C(ETL) US TYPE CMX 75C 26AWG--VW-1-- RoHS--(LOT DESIGNATOR) (SEQUENTIAL FOOTAGE)
- PACKAGING:**
 CABLE SHIPPED ON A REEL

UNLESS OTHERWISE SPECIFIED, DIMENSIONS ARE IN INCHES [mm] OVERALL CABLE LENGTH TOLERANCE: ≤12 [305] = +1 [25] / -0 >12 [305] - 60 [1524] = +2 [51] / -0 >60 [1524] - 120 [3048] = +4 [102] / -0 >120 [3048] - 300 [7620] = +6 [152] / -0 >300 [7620] = +5% / -0% ALL OTHER DIMENSIONAL TOLERANCES: .X = .2 [5.08] .XX = .02 [51] .XXX = .005 [13]	APPROVALS DRAWN BY B.ZHANG	DATE 10/23/2020	 an INFINIT® brand	50 High Street, West Mill, North Andover, MA 01845 USA. Phone: 1.800.341.5266 1.978.682.6936			
	CHECKED BY D.CONTROL	DATE 10/23/2020		CATEGORY TELECOM/MODULAR			
	APPROVED BY GUITADAURO	DATE 10/23/2020		PRODUCT DESCRIPTION C6a F/UTP 4PR/26 STR LSZH BLU			
PROJECTION 	CONFIGURATION DETAILS OF UNDIMENSIONED FEATURES MAY VARY		SIZE A	FSCM NO. 43321	DWG. NO. TFCLS6005-BLU	REV. C	
COLOR VARIATIONS MAY OCCUR			SCALE: NONE CAD FILE: TFCLS6005-BLU.SLDDRW		SHEET 1 OF 2		

3.

THE INFORMATION CONTAINED IN THIS DRAWING IS THE SOLE PROPERTY OF L-COM, INC. ANY REPRODUCTION IN PART OR WHOLE WITHOUT THE WRITTEN PERMISSION OF L-COM, INC. IS PROHIBITED.


3. ELECTRICAL CHARACTERISTICS:	
CAPACITANCE, MUTUAL, NOM.	13.5PF/FT AT 1MHZ
DIELECTRIC WITHSTANDING, MIN.	1500V RMS
VOLTAGE RATING, MAX.	300V
D.C. RESISTANCE, MAX.	42.6 OHM/1,000FT(14.0 OHM/100m)

NOTE: TESTING FOR THE FOLLOWING IS CONDUCTED OFF THE REEL (FOR 100m OF CABLE)

IMPEDANCE	100±15 OHM 1-100 MHz	100±20 OHM 100-500 MHz
RETURN LOSS	1 ≤ f < 10 MHz	20 + 5 LOG(f)dB MIN
	10 ≤ f < 20 MHz	25 dB MIN
	20 ≤ f ≤ 500 MHz	25 - 8.6 LOG(f/20)dB MIN
PS NEXT	1 ≤ f ≤ 500 MHz	42.3- 15 LOG(f/100)dB MIN
NEXT	1 ≤ f ≤ 500 MHz	44.3 - 15 LOG(f/100)dB MIN
PS ACRF	1 ≤ f ≤ 500 MHz	24.8 - 20 LOG(f/100)dB MIN
ACRF	1 ≤ f ≤ 500 MHz	27.8 - 20 LOG(f/100)dB MIN
INSERTION LOSS	1 ≤ f ≤ 500 MHz	1.5[1.82SqRt(f) + 0.0091(f) + 0.25/SqRt(f)] dB MAX
DELAY	1 ≤ f ≤ 500 MHz	534 + 36/SqRt(f) ns MAX
DELAY SKEW	1 ≤ f ≤ 500 MHz	< 45 ns
PS ANEXT LOSS(6 AROUND 1)	1 ≤ f ≤ 500 MHz	62.5 - 15 LOG(f/100)dB 50-500MHz 67dB 1-50MHz
PS AFEXT(6 AROUND 1)	1 ≤ f ≤ 500 MHz	38.2 - 20 LOG(f/100)dB
VELOCITY OF PROPAGATION	68%	

3.

3.

		50 High Street, West Mill, North Andover, MA 01845 USA. Phone: 1.800.341.5266 1.978.682.6936	
		an INFINITE brand	
CATEGORY TELECOM/MODULAR			
PRODUCT DESCRIPTION C6a F/UTP 4PR/26 STR LSZH BLU			
SIZE A	FSCM NO. 43321	DWG. NO. TFCLS6005-BLU	REV. C
SCALE: 1:4	CAD FILE: TFCLS6005-BLU.SLDDRW	SHEET 2 OF 2	