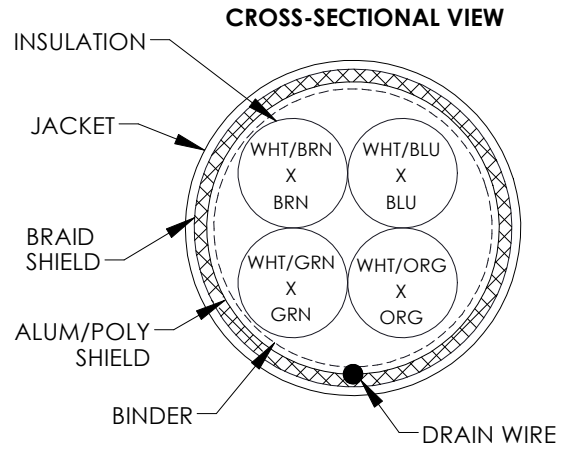
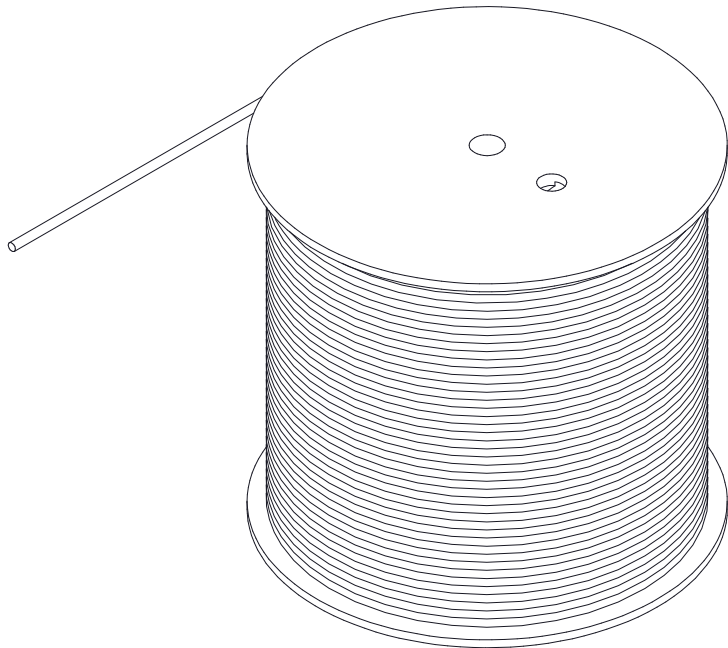


THE INFORMATION CONTAINED IN THIS DRAWING IS THE SOLE PROPERTY OF L-COM, INC. ANY REPRODUCTION IN PART OR WHOLE WITHOUT THE WRITTEN PERMISSION OF L-COM, INC. IS PROHIBITED.

REVISIONS			
REV	DESCRIPTION	DATE	APPROVAL
T	ECN 10346: ADDED -100, -500 NEW FORMAT	01/29/2020	GUITADAURO
U	ECN 11186: UPDATE JACKET COLOR AS PER PPN: TFDL2105 FROM RED TO BLACK; TFDL2106 FROM BLACK TO RED	06/16/2021	DGUST

TFDL210x-XXX CONSISTS OF A CONTINUOUS LENGTH OF BULK CABLE



COLOR CODE
 BLUE x WHITE/BLUE
 ORANGE x WHITE/ORANGE
 GREEN x WHITE/GREEN
 BROWN x WHITE/BROWN

NOTES:

1. CONSTRUCTION:

- CONDUCTOR: 24 AWG SOLID BARE COPPER
 - INSULATION MATERIAL: POLYETHYLENE
 - PAIRS: COLOR CODED SINGLES TWISTED INTO PAIRS
 - SHIELD: AN ALUMINUM POLYESTER FOIL SHIELD, 125% COVERAGE (ALUM IN)
 - OUTER BRAID: TIN PLATED COPPER, 60% COVERAGE NOM.
 - DRAIN WIRE: 24AWG TINNED COPPER WIRE
 - JACKET: LOW SMOKE ZERO HALOGEN (SEE COLOR CHART)
- O.D: .040" ± .002" [1.02mm +/-0.05mm]
 NOMINAL DIA: 0.256" +/- .008 [6.5mm +/- 0.2mm]

2. PHYSICAL PROPERTIES:

- TEMPERATURE RATING: -20 ° C TO +75 ° C
- VOLTAGE RATING: 30V

3. AGENCY APPROVALS: ANSI/TIA 568B.2; IEC 61156-5; ISO/IEC 11801; EN50173; CATEGORY 5E; UL444 COMMUNICATIONS CABLE, UL AWM STYLE PAGE 2835 UL SUBJECT 758, UL 62 AND UL 1581, RoHS COMPLIANT

4. JACKET PRINT:

L-COM, INC WWW.L-COM.COM VERIFIED TO TIA/EIA-568-B.2 CAT 5e 24AWG LSZH SF/UTP ROHS WW/YY

5. LSZH CHARACTERISTICS:

- FLAME RATING: IEC60332-1
- CORROSIVE GAS: IEC60754
- SMOKE EMISSION: IEC61034

MODEL NUMBER	LENGTH	COLOR	PACKAGING
TFDL2104	1000.0 FT	GRAY (RAL7044)	SPOOL
TFDL2104-100	100.0 FT	GRAY (RAL7044)	POLY BAG
TFDL2104-500	500.0 FT	GRAY (RAL7044)	SPOOL
TFDL2105	1000.0 FT	BLACK (RAL9005)	SPOOL
TFDL2106	1000.0 FT	RED (RAL3027)	SPOOL



UNLESS OTHERWISE SPECIFIED, DIMENSIONS ARE IN INCHES [mm] OVERALL CABLE LENGTH TOLERANCE: ≤12 [305] = +1 [25] / -0 >12 [305] - 60 [1524] = +2 [51] / -0 >60 [1524] - 120 [3048] = +4 [102] / -0 >120[3048] - 300[7620] = +6 [152] / -0 >300[7620] = +5% / -0% ALL OTHER DIMENSIONAL TOLERANCES: .X = .2 [5.08] .XX = .02 [.51] .XXX = .005 [0.13]	APPROVALS DRAWN BY DFRISIELLO	DATE 01/16/2020		50 HIGH STREET NORTH ANDOVER, MA 01845			
	CHECKED BY GUITADAURO	01/29/2020			CATEGORY TELECOM/MODULAR		
	PROJECTION 	APPROVED BY GUITADAURO	01/29/2020	PRODUCT DESCRIPTION C5E SFTP 4PR/24 SLD LSZ			
CONFIGURATION DETAILS OF UNDIMENSIONED FEATURES MAY VARY			COLOR VARIATIONS MAY OCCUR	SIZE A	FSCM NO. 43321	DWG. NO. TFDL2104	REV. U
SCALE: NONE CAD FILE: TFDL2104.SLDDRW				SHEET 1 OF 1			