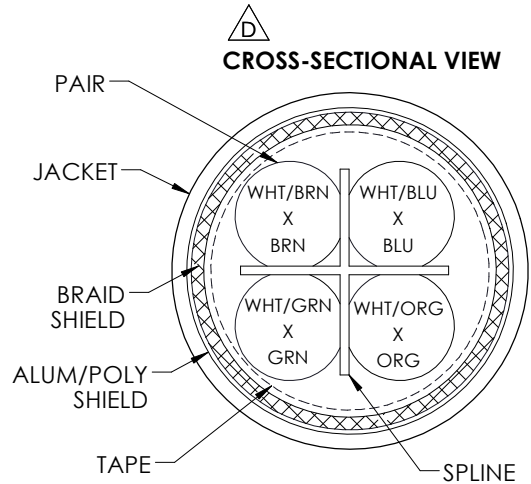
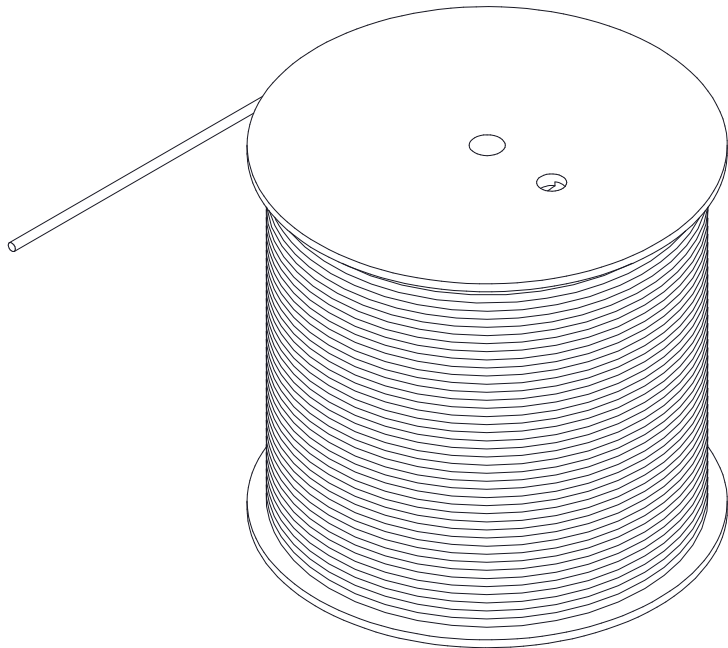


THE INFORMATION CONTAINED IN THIS DRAWING IS THE SOLE PROPERTY OF L-COM, INC. ANY REPRODUCTION IN PART OR WHOLE WITHOUT THE WRITTEN PERMISSION OF L-COM, INC. IS PROHIBITED.

REVISIONS			
REV	DESCRIPTION	DATE	APPROVAL
C	ECN 10346: ADDED -100, -500, NEW FORMAT	01/29/2020	GUITADAURO
D	ECN 10730: UPDATE CROSS-SECTIONAL VIEW AS PER THE PHYSICAL GOODS	10/13/2020	GUITADAURO

TFDL5026-XXX CONSISTS OF A CONTINUOUS LENGTH OF BULK CABLE


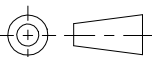


COLOR CODE
 BLUE x WHITE/BLUE
 ORANGE x WHITE/ORANGE
 GREEN x WHITE/GREEN
 BROWN x WHITE/BROWN

NOTES:

- CONSTRUCTION:**
 CONDUCTOR: 26 AWG STRANDED TINNED COPPER
 INSULATION MATERIAL: HIGH DENSITY POLYETHYLENE
 PAIRS: COLOR CODED SINGLES TWISTED INTO PAIRS
 BINDER: FOAM POLYPROPYLENE TAPE
 BRAID: TIN PLATED COPPER BRAID, 80% COVERAGE, MIN.
 OUTER SHIELD: AN ALUMINUM POLYESTER FOIL SHIELD, 100% COVERAGE (FOIL IN)
 JACKET: THERMOPLASTIC ELASTOMER, TEAL
 O.D.: .036" NOM.
 CABLE DIA: 0.275" NOM. (+/- .010")
- PHYSICAL PROPERTIES:**
 TEMPERATURE RATING: -40 °C TO +75 °C
 JACKET IS WELD SPLATTER RESISTANT AND SUNLIGHT RESISTANT
 FLEX LIFE: (126 CYCLES/MIN, @20 °C)
 1 MILLION CYCLE TEST (10X CABLE O.D. MIN. RAD.)
 10 MILLION CYCLE TEST (20X CABLE O.D. MIN. RAD.)
- AGENCY APPROVALS:** NEC (UL) TYPE CMX OUTDOOR, CEC C(UL) TYPE CMX OUTDOOR, CE MARK, RoHS COMPLIANT
- JACKET PRINT:**
 QUABBIN DATAMAX EXTREME HIGH FLEX INDUSTRIAL ETHERNET/IP PATCH CORD CAT 6/6a SF/UTP P/N 5026 -- C(UL)US TYPE CMX OUTDOOR - CM 4PR 26 AWG 75C SUN RES -- CE RoHS -- (**LOT DESIGNATOR**) (**SEQUENTIAL FOOTAGE**)
- ELECTRICAL CHARACTERISTICS: (FOR 100M OF CABLE)**
 CAPACITANC, MUTUAL NOM. 13.5 PF/FT AT 1 MHz
 DIELECTRIC WITHSTANDING, MIN. 1500V RMS
 VOLTAGE RATING, MAX. 300V
 D.C. RESISTANCE, MAX. 42.6 OHM/1000 FT
 IMPEDANCE 100 +/- 15 OHM 1-100 MHz
 POE COMPLIANT TO 70 METERS PER TSB-184. CABLE WILL MEET CAT6A CHANNEL REQUIREMENTS TO 70 METER LENGTH

MODEL NUMBER	LENGTH	COLOR	PACKAGING
TFDL5026	1000.0 FT	TEAL	SPOOL
TFDL5026-100	100.0 FT	TEAL	POLY BAG
TFDL5026-500	500.0 FT	TEAL	SPOOL

UNLESS OTHERWISE SPECIFIED, DIMENSIONS ARE IN INCHES [mm] OVERALL CABLE LENGTH TOLERANCE: ≤12 [305] = +1 [25] / -0 >12 [305] - 60 [1524] = +2 [51] / -0 >60 [1524] - 120 [3048] = +4 [102] / -0 >120 [3048] - 300 [7620] = +6 [152] / -0 >300 [7620] = +5% / -0% ALL OTHER DIMENSIONAL TOLERANCES: .X = .2 [5.08] .XX = .02 [51] .XXX = .005 [1.27]	APPROVALS DRAWN BY DFRISIELLO CHECKED BY GUITADAURO APPROVED BY GUITADAURO	DATE 01/17/2020 01/29/2020 01/29/2020	 an INFINITO brand 50 HIGH STREET NORTH ANDOVER, MA 01845	CATEGORY TELECOM/MODULAR	
	CONFIGURATION DETAILS OF UNDIMENSIONED FEATURES MAY VARY COLOR VARIATIONS MAY OCCUR				PRODUCT DESCRIPTION C6A SF/UTP 26STR HF TPE IND OD CMX TEAL
	PROJECTION 	SIZE A	FSCM NO. 43321	DWG. NO. TFDL5026	REV. D
	SCALE: NONE CAD FILE: TFDL5026.SLDDRW			SHEET 1 OF 1	