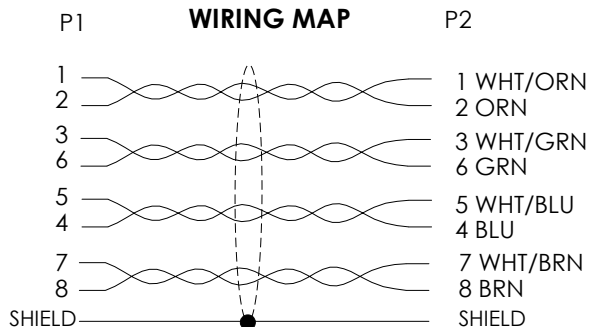
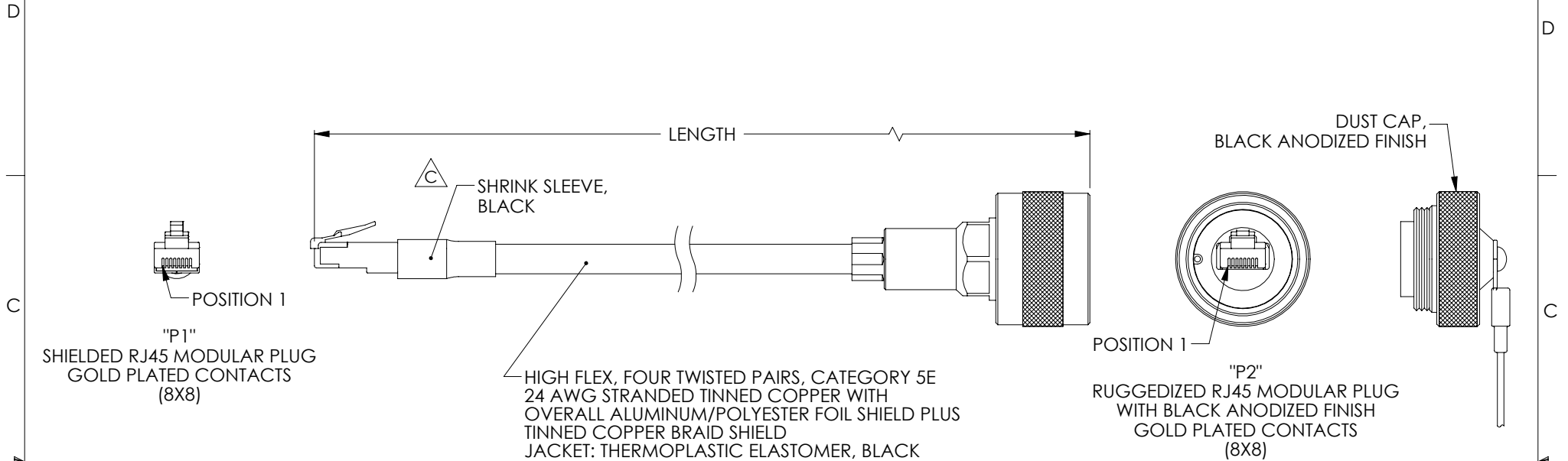


THE INFORMATION CONTAINED IN THIS DRAWING IS THE SOLE PROPERTY OF L-COM, INC. ANY REPRODUCTION IN PART OR WHOLE WITHOUT THE WRITTEN PERMISSION OF L-COM, INC. IS PROHIBITED.

REVISIONS			
REV	DESCRIPTION	DATE	APPROVED
A	INITIAL RELEASE	12/18/12	D.GRIFFIN
B	ECN 6696: REMOVED DRAIN WIRE FROM CABLE DESCRIPTION	2/22/13	D. DESJARDIN
C	ECN 7530: ADDED HEAT SHRINK & UPDATED ROHS AND FORMAT	7/23/14	D. CASTRO



**TMD20 004 007 047**

**XXXM** LENGTH IN METERS  
**XXXF** LENGTH IN FEET

**NOTES:**

- LENGTHS OVER 10 METERS (32.8 FT) ARE CHANNEL RATED.
- PLUG CONFORMS TO TIA-1096.
- CABLE ASSEMBLY SHALL BE TESTED FOR CONTINUITY.
- CABLE ASSEMBLY SHALL BE INDIVIDUALLY PACKAGED IN ACCORDANCE WITH L-COM PACKAGING SPECIFICATION PS-0031.

**REGULATORY COMPLIANCE:**  
 CE2011/65/EU (RoHS DIRECTIVE)

UNLESS OTHERWISE SPECIFIED, DIMENSIONS ARE IN INCHES [mm] OVERALL CABLE LENGTH TOLERANCE: ≤12 [305] = +1 [25] / -0 >12 [305] ≤60 [1524] = +2 [51] / -0 >60 [1524] ≤120 [3048] = +4 [102] / -0 >120 [3048] ≤300 [7620] = +6 [152] / -0 >300 [7620] = +5% / -0%	APPROVALS	DATE	45 BEECHWOOD DRIVE NORTH ANDOVER, MA 01845
	DRAWN BY D. DESJARDIN	12/18/12	
ALL OTHER DIMENSIONAL TOLERANCES: .X = ± .2 [5.08] .XX = ± .02 [5.1] .XXX = ±.005 [1.3]	CHECKED BY D. GUITTADAURO	12/18/12	CATEGORY <b>TELECOM/MODULAR</b>
	APPROVED BY D. GALLAGHER	12/18/12	
PROJECTION 	CONFIGURATION DETAILS OF UNDIMENSIONED FEATURES MAY VARY	PRODUCT DESCRIPTION <b>RGRJ45 C5E PA SP TPE</b>	
	COLOR VARIATIONS MAY OCCUR	SIZE <b>A</b>	FSCM NO. <b>43321</b>
		DWG. NO. <b>TMD20004007047</b>	REV. <b>C</b>
		SCALE: NONE	CAD FILE: TMD20004007047.SLDDRW
		SHEET 1 OF 1	