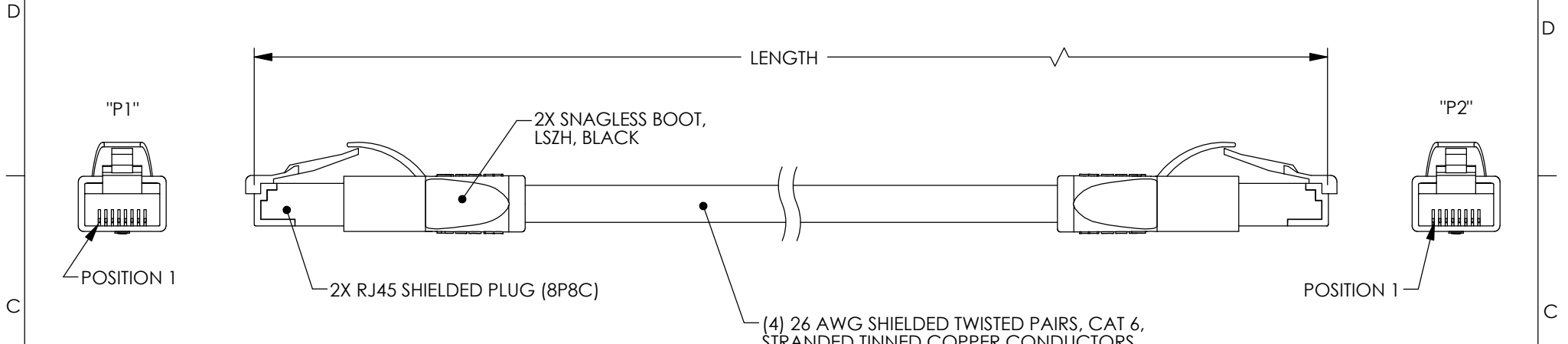


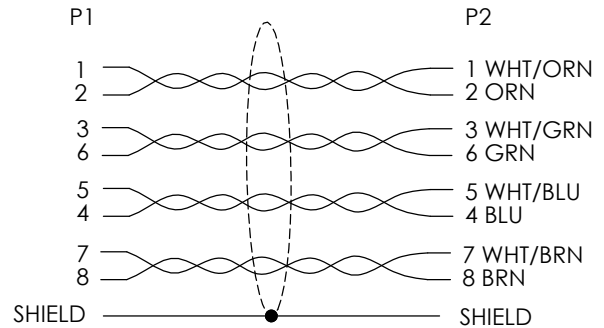
THE INFORMATION CONTAINED IN THIS DRAWING IS THE SOLE PROPERTY OF L-COM, INC. ANY REPRODUCTION IN PART OR WHOLE WITHOUT THE WRITTEN PERMISSION OF L-COM, INC. IS PROHIBITED.

REVISIONS			
REV	DESCRIPTION	DATE	APPROVED
A	INITIAL RELEASE	9/16/16	D.GRIFFIN



(4) 26 AWG SHIELDED TWISTED PAIRS, CAT 6,
 STRANDED TINNED COPPER CONDUCTORS,
 SHIELDING: ALUMINUM/POLYESTER PLUS
 BRAIDED TINNED COPPER
 OUTER JACKET: LSZH, GRAY (RAL# 7044)
 (NOM DIA. .260" [6.6] MIN BEND RAD 2.6" [66])

WIRING MAP



TMD22 014 014 050

XXXM LENGTH IN METERS
 XXXF LENGTH IN FEET

NOTES:

1. PLUG CONFORMS TO TIA-1096.
2. CABLE ASSEMBLY SHALL BE TESTED FOR CONTINUITY.
3. PACKAGING:

LESS THAN 50 METERS (164 FT): INDIVIDUALLY PACKAGE EACH ASSEMBLY IN ACCORDANCE WITH L-COM SPECIFICATION PS-0031.

50 METERS (164 FT) OR MORE: TO BE SPOOLED

CABLE CHARACTERISTICS:
 FLAME RATING: IEC 60332-1
 CORROSIVE GAS: IEC 60754
 SMOKE EMISSION: IEC 61034

REGULATORY COMPLIANCE:
 CE2011/65/EU (ROHS DIRECTIVE)

UNLESS OTHERWISE SPECIFIED, DIMENSIONS ARE IN INCHES [mm] OVERALL CABLE LENGTH TOLERANCE: ≤12 [305] = +1 [25] / -0 >12 [305] ≤60 [1524] = +2 [51] / -0 >60 [1524] ≤120 [3048] = +4 [102] / -0 >120 [3048] ≤300 [7620] = +6 [152] / -0 >300 [7620] = +5% / -0%	APPROVALS	DATE	50 HIGH STREET NORTH ANDOVER, MA 01845		
	DRAWN BY D.FRISIELLO	9/15/16			CATEGORY TELECOM/MODULAR
ALL OTHER DIMENSIONAL TOLERANCES: .X = ± .2 [5.08] .XX = ± .02 [51] .XXX = ±.005 [1.27]	CHECKED BY J.WHITE	9/16/16	PRODUCT DESCRIPTION RJ45 C6 SF/UTP LSZH GRY		
	APPROVED BY D.GUITADAURO	9/16/16			CONFIGURATION DETAILS OF UNDIMENSIONED FEATURES MAY VARY
PROJECTION 	COLOR VARIATIONS MAY OCCUR	SIZE A	FSCM NO. 43321	DWG. NO. TMD22014014050	REV. A
SCALE: NONE		CAD FILE: TMD22014014050.SLDDRW		SHEET 1 OF 1	