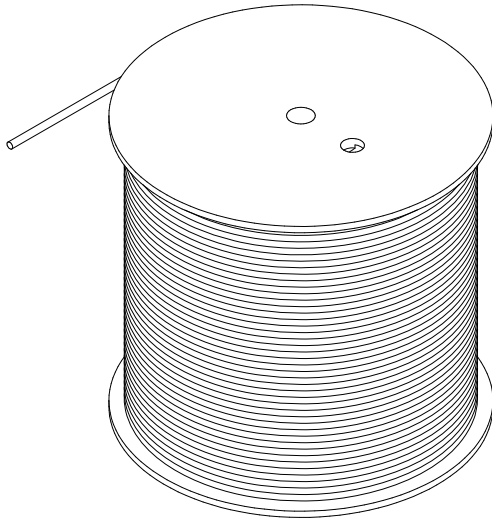


THE INFORMATION CONTAINED IN THIS DRAWING IS THE SOLE PROPERTY OF L-COM, INC. ANY REPRODUCTION IN PART OR WHOLE WITHOUT THE WRITTEN PERMISSION OF L-COM, INC. IS PROHIBITED.

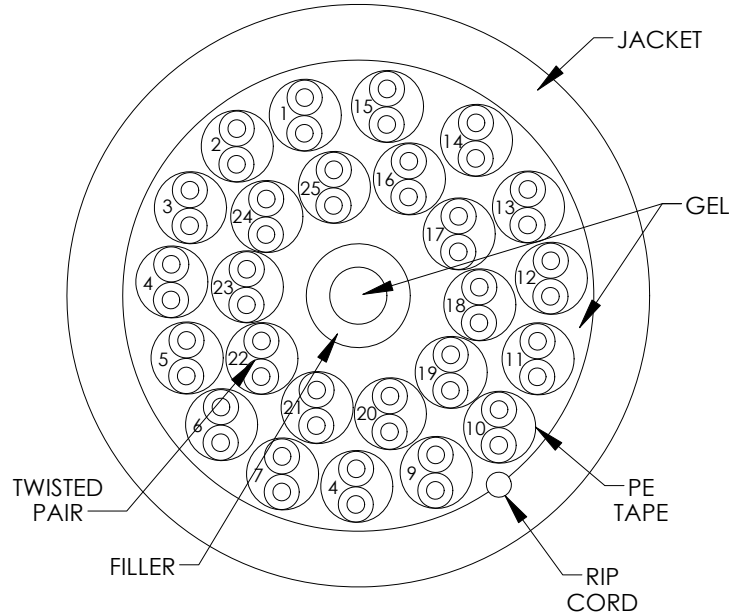
REVISIONS			
REV	DESCRIPTION	DATE	APPROVAL
A	REV A DRAWING RELEASED	09/28/2018	BPUCHASKI

**TOBC5-25-BLK**

TOBC5-25-BLK CONSISTS OF 1000 FEET OF CONTINUOUS LENGTH BULK CABLE



**CROSS-SECTIONAL VIEW**



CAT5E CMXF DIRECT BURIAL, FLOODED CORE, 50 CONDUCTOR, 25 TWISTED PAIR UNSHIELDED, OUTDOOR JACKET, AWG24 SOLID-BARE COPPER

**COLOR CODE**

- 1) BLUE/WHITE
- 2) ORANGE/WHITE
- 3) GREEN/WHITE
- 4) BROWN/WHITE
- 5) GRAY/WHITE
- 6) BLUE/RED
- 7) ORANGE/RED
- 8) GREEN/RED
- 9) BROWN/RED
- 10) GRAY/RED
- 11) BLUE/BLACK
- 12) ORANGE/BLACK
- 13) GREEN/BLACK
- 14) BROWN/BLACK
- 15) GRAY/BLACK
- 16) BLUE/YELLOW
- 17) ORANGE/YELLOW
- 18) GREEN/YELLOW
- 19) BROWN/YELLOW
- 20) GRAY/YELLOW
- 21) BLUE/VIOLET
- 22) ORANGE/VIOLET
- 23) GREEN/VIOLET
- 24) BROWN/VIOLET
- 25) GRAY/VIOLET

**NOTES:**

**1. CONSTRUCTION:**

CONDUCTOR: 24AWG SOLID BARE COPPER  
 INSULATION: PE AVERAGE THICKNESS (mm) .235  
 INSULATION DIAMETER (±0.05mm) .97  
 TWISTED PAIR DIAMETER (±0.01mm) 1.94  
 FILLER: PVC  
 GEL: YES  
 PE TAPE: YES

JACKET: LLDPE (UV) (COLOR, BLACK),  
 NOM. WALL THICKNESS (mm) 1.20  
 OUTER DIAMETER (±0.10mm) 13.20  
 RIP CORD: YES

**3. PHYSICAL PROPERTIES:**  
 TEMPERATURE RATING -40~70°C  
 BEND RADIUS (mm) 180

**4. PRINT:**  
 VERTICAL 4001453 cETLus VERIFIED UTP 25PR 24AWG OUTDOOR DIRECT BURIAL(FLOODED)  
 UV LLDPE CAT5E 350MHz TIA/EIA-568C.2 RoHS (SEQUENTIAL FOOT MARKERS ON JACKET)

**5. ELECTRICAL CHARACTERISTICS:**  
 IMPEDANCE 1.0-100 MHz (Ohms) 100±15  
 DELAY SKEW (ns/100m) <45  
 PAIR-TO GROUND CAPACITANCE UNBAL. (pF/100m) ≤330  
 VOLTAGE RATING 60V  
 MAX. D.C. RESISTANCE 20°C (Ohms/km) 95  
 RESISTANCE UNBALANCES (%) ≤5

**6. PACKAGING:**  
 CABLE SHIPPED ON A REEL

REGULATORY COMPLIANCE:  
 CE2011/65/EU(RoHS DIRECTIVE)

UNLESS OTHERWISE SPECIFIED, DIMENSIONS ARE IN INCHES [mm] OVERALL CABLE LENGTH TOLERANCE: ≤12 [305] = +1 [25] / -0 >12 [305] - 60 [1524] = +2 [51] / -0 >60 [1524] - 120 [3048] = +4 [102] / -0 >120 [3048] - 300 [7620] = +6 [152] / -0 >300 [7620] = +5% / -0% ALL OTHER DIMENSIONAL TOLERANCES: .X = .2 [5.08] .XX = .02 [51] .XXX = .005 [1.27]	APPROVALS	DATE	50 HIGH STREET NORTH ANDOVER, MA 01845	
	DRAWN BY BPUCHASKI	09/28/2018		
	APPROVED BY DGUITADAURO	09/28/2018	CATEGORY	TELECOM/MODULAR
	CONFIGURATION DETAILS OF UNDIMENSIONED FEATURES MAY VARY		PRODUCT DESCRIPTION	Cat5e 25p 24SLD OSP DIRECT BURIAL PE BLK 1KFT
PROJECTION	COLOR VARIATIONS MAY OCCUR	SIZE <b>A</b>	FSCM NO. <b>43321</b>	DWG. NO. <b>TOBC5-25-BLK</b>
		SCALE: 1:4	CAD FILE: TOBC5-25-BLK.SLDRW	SHEET 1 OF 1