

THE INFORMATION CONTAINED IN THIS DRAWING IS THE SOLE PROPERTY OF L-COM, INC. ANY REPRODUCTION IN PART OR WHOLE WITHOUT THE WRITTEN PERMISSION OF L-COM, INC. IS PROHIBITED.

REVISIONS			
REV	DESCRIPTION	DATE	APPROVED
A	APPROVED FOR PRODUCTION	07/19/05	MCCORMICK
B	ECN# 2726: ADDED P/N'S TO TABLE	02/13/07	MCCORMICK
C	ECN 7020: UPDATE FORMAT FOR LENGTH TOLERANCES, ADDED ALL NOTES	8/16/13	D.FRISIELLO

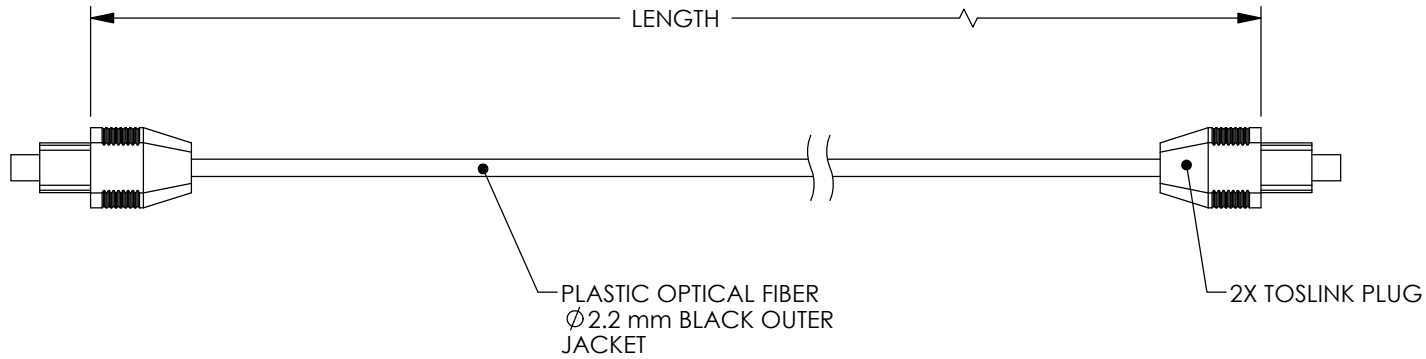


TABLE	
MODEL #	LENGTH FEET
TOS-CBL-MM-03	3.0
TOS-CBL-MM-06	6.0
TOS-CBL-MM-12	12.0
TOS-CBL-MM-15	15.0
TOS-CBL-MM-25	25.0

NOTES:

1. CABLE ASSEMBLY SHALL BE TESTED FOR CONTINUITY.
2. CABLE ASSEMBLY SHALL BE INDIVIDUALLY PACKAGED IN ACCORDANCE WITH L-COM SPECIFICATION PS-0031.

REGULATORY COMPLIANCE:
ROHS, CE

UNLESS OTHERWISE SPECIFIED, DIMENSIONS ARE IN INCHES [mm] OVERALL CABLE LENGTH TOLERANCE: ≤12 [305] = +1 [25] / -0 >12 [305] ≤60 [1524] = +2 [51] / -0 >60 [1524] ≤120 [3048] = +4 [102] / -0 >120 [3048] ≤300 [7620] = +6 [152] / -0 >300 [7620] = +5% / -0% ALL OTHER DIMENSIONAL TOLERANCES: .X = ± .2 [5.08] .XX = ± .02 [1.51] .XXX = ±.005 [1.13]	APPROVALS C.MCCORMICK CHECKED BY D.PARHAM APPROVED BY M.LAHEY	DATE 07/19/2005 07/19/2005 07/19/2005	45 BEECHWOOD DRIVE NORTH ANDOVER, MA 01845		
	CONFIGURATION DETAILS OF UNDIMENSIONED FEATURES MAY VARY	CATEGORY FIBER OPTICS		PRODUCT DESCRIPTION CABLE ASSEMBLY TOSLNK M-TOSLNK M	
PROJECTION 	COLOR VARIATIONS MAY OCCUR	SIZE A	FSCM NO. 43321	DWG. NO. TOS-CBL-MM-03	REV. C
		SCALE: NONE	CAD FILE: TOS-CBL-MM-03.SLDDRW	SHEET 1 OF 1	