

THE INFORMATION CONTAINED IN THIS DRAWING IS THE SOLE PROPERTY OF L-COM, INC. ANY REPRODUCTION IN PART OR WHOLE WITHOUT THE WRITTEN PERMISSION OF L-COM, INC. IS PROHIBITED.

REVISION					
ZONE	REV	DESCRIPTION	DATE	CHANGED BY	APPROVED
	A	INITIAL RELEASE	6/28/2023	DAVIDG	DAVIDG

Overview
 Bandwidth: 500MHz
 OD: 7.6mm
 Conductor: 22AWG
 Approvals: RoHS
 Connector: 50U" gold plated RJ45 connector

Physical Characteristics

- Cable Type: CAT6A UTP
- Connector Type(s): RJ45
- Wiring Scheme: T568B
- Temperature Rating
 - Installation: 0°C ~ 50°C
 - Operation: -20°C ~ 60°C
- Voltage Rating: 30V

Conductor (Qty. 4 twisted pair)

- Conductor Type: 22AWG(7/0.254±0.008mm), Stranded Bare Copper.
- Insulation: HDPE
- Diameter: 1.32±0.05mm
- Pair Identification:
 - Pair1 = Orange, Orange-White
 - Pair2 = Blue, Blue-White
 - Pair3 = Green, Green-White
 - Pair4 = Brown, Brown-White

Connector Type (Qty. 2)

- Connector Type: 8P8C (RJ45)
- Gender: Plug
- Connector Material: PC-94V-2
- Contact Material: Phosphor Copper, Nickel Plating-100µm Gold Plating-50µm
- Hood Material: Black Assemble Boot

Overall Cable

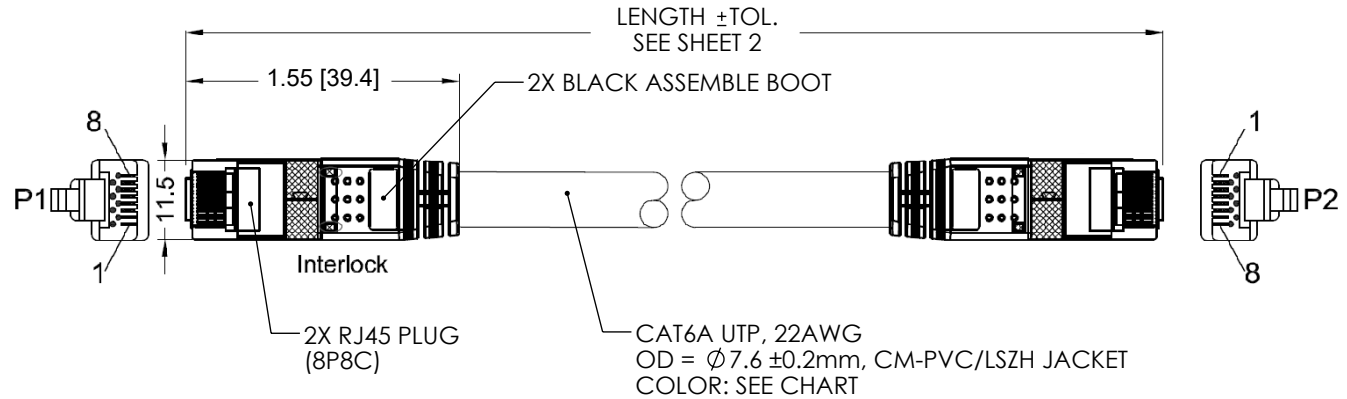
- Jacket: CM-PVC/LSZH
- Minimum Average Thickness: 0.65mm
- Outer Diameter: 7.6±0.20mm

Electrical Characteristics

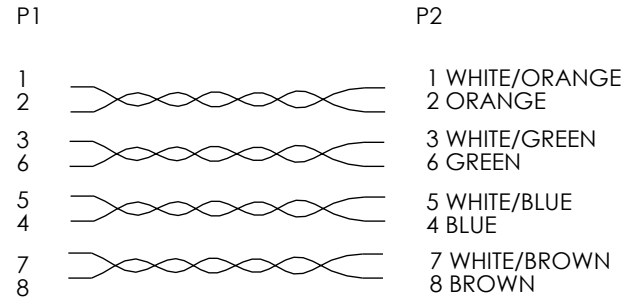
- Conductor DC Resistance: 7.08Ω/100m Max.
- Impedance: 100Ω
- Capacitance: 5600pf/100m
- Propagation Delay: 545ns/100m Max.
- Delay Skew: 45ns/100m Max.
- Pass Fluke DSX 8000 Test
- Support 100W PoE++


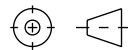
Miscellaneous

- Cable Assembly To Be Tested For Continuity
- Cable Assembly To Be Individually Packaged




WIRING MAP



UNLESS OTHERWISE SPECIFIED, DIMENSIONS ARE IN INCHES [mm] OVERALL CABLE LENGTH TOLERANCE: ≤12 [305] = +1 [25] / -0 >12 [305] ≤60 [1524] = +2 [51] / -0 >60 [1524] ≤120 [3048] = +4 [102] / -0 >120 [3048] ≤300 [7620] = +6 [152] / -0 >300 [7620] = +5% / -0 ALL OTHER DIMENSIONAL TOLERANCES: .X = ±.2 [5] FRACTIONS ± 1/32 .XX = ±.02 [.5] ANGLES ± 1° .XXX = ±.005 [.13]	APPROVALS	DATE	 50 High Street, West Mill, North Andover, MA 01845 USA. Phone: 1.800.341.5266 1.978.682.6936	
	DRAWN BY KDANG	6/1/2023		CATEGORY TELECOM/MODULAR
	CHECKED BY DAVIDG	6/5/2023		
	APPROVED BY DAVIDG	6/5/2023		
THIRD-ANGLE PROJECTION	CONFIGURATION DETAILS OF UNDIMENSIONED FEATURES MAY VARY	PRODUCT DESCRIPTION Category 6A 10Gig 100W PoE Ethernet Cable Assembly	SIZE A	
	COLOR VARIATIONS MAY OCCUR	CAGE CODE 43321	ITEM NO. TRD622APU	
		SCALE: NONE	SHEET 1 OF 2	

THE INFORMATION CONTAINED IN THIS DRAWING IS THE SOLE PROPERTY OF L-COM, INC. ANY REPRODUCTION IN PART OR WHOLE WITHOUT THE WRITTEN PERMISSION OF L-COM, INC. IS PROHIBITED.

PART NUMBER	COLOR	LENGTH FEET [METERS]	TOLERANCE INCH [mm]
TRD622APU-BLK-1F	BLACK	1.0 [0.30]	+1.38/-.59 [+35/-15]
TRD622APU-BLK-6F	BLACK	2.0 [0.60]	+1.38/-.79 [+35/-20]
TRD622APU-BLK-10F	BLACK	10.0 [3.04]	+1.38/-1.18 [+35/-30]
TRD622APU-BLK-15F	BLACK	15.0 [4.57]	+1.38/-1.18 [+35/-30]
TRD622APU-BLK-25F	BLACK	25.0 [7.62]	± 2.36[60]
TRD622APU-BLK-50F	BLACK	50 [15.24]	± 2.36[60]
TRD622APU-BLK-75F	BLACK	75 [22.86]	± 3.15[80]
TRD622APU-BLK-100F	BLACK	100 [30.48]	± 3.15[80]
TRD622APU-BLK-125F	BLACK	125 [38.10]	± 3.15[80]
TRD622APU-BLK-150F	BLACK	150 [45.72]	± 3.15[80]
TRD622APU-BLK-200F	BLACK	200 [60.96]	± 3.15[80]

		50 High Street, West Mill, North Andover, MA 01845 USA. Phone: 1.800.341.5266 1.978.682.6936	
CATEGORY TELECOM/MODULAR			
PRODUCT DESCRIPTION Category 6A 10Gig 100W PoE Ethernet Cable Assembly			
SIZE A	CAGE CODE 43321	ITEM NO. TRD622APU	REV. A
SCALE: NONE		CAD FILE: TRD622APU.SLDDRW	
			SHEET 2 OF 2