

THE INFORMATION CONTAINED IN THIS DRAWING IS THE SOLE PROPERTY OF L-COM, INC. ANY REPRODUCTION IN PART OR WHOLE WITHOUT THE WRITTEN PERMISSION OF L-COM, INC. IS PROHIBITED.

| REVISION |     |                 |           |            |          |
|----------|-----|-----------------|-----------|------------|----------|
| ZONE     | REV | DESCRIPTION     | DATE      | CHANGED BY | APPROVED |
|          | A   | INITIAL RELEASE | 6/28/2023 | DAVIDG     | DAVIDG   |

**Overview**  
 Bandwidth: 500MHz  
 OD: 8.5mm  
 Conductor: 23AWG  
 Approvals: RoHS  
 Connector: 50U" gold plated RJ45 connector

**Physical Characteristics**

- Cable Type: CAT6A S/FTP
- Connector Type(s): RJ45
- Wiring Scheme: T568B
- Temperature Rating
  - Installation: 0°C ~ 50°C
  - Operation: -20°C ~ 60°C
- Voltage Rating: 30V

**Conductor (Qty. 4 twisted pair)**

- Conductor Type: 23AWG(7/0.22±0.008mm), Stranded Bare Copper.
- Insulation: FMPE
- Diameter: 1.55±0.05mm
- Pair Identification:
  - Pair1 = Orange, Orange-White
  - Pair2 = Blue, Blue-White
  - Pair3 = Green, Green-White
  - Pair4 = Brown, Brown-White

**Connector Type (Qty. 2)**

- Connector Type: Shielded 8P8C (RJ45)
- Gender: Plug
- Connector Material: PC-94V-2
- Contact Material: Phosphor Copper, Nickel Plating-100µm Gold Plating-50µm
- Hood Material: Black Assemble Boot

**Overall Cable**

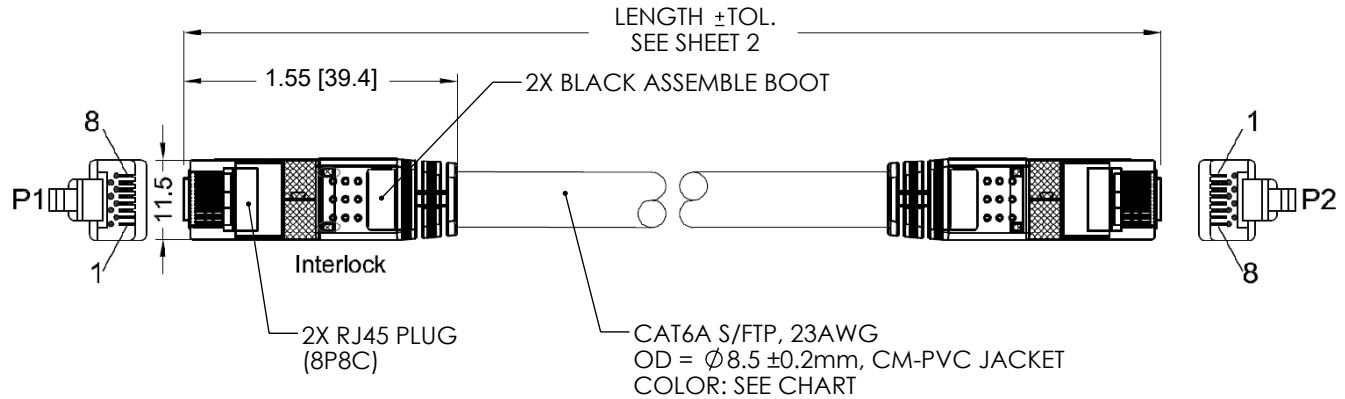
- Jacket: CM-PVC
- Minimum Average Thickness: 0.60mm
- Outer Diameter: 8.5±0.20mm

**Electrical Characteristics**

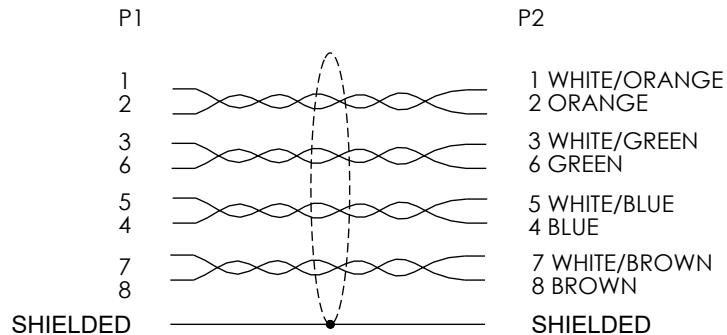
- Conductor DC Resistance: 8.92Ω/100m Max.
- Impedance: 100Ω
- Capacitance: 5600pf/100m
- Propagation Delay: 545ns/100m Max.
- Delay Skew: 45ns/100m Max.
- Fluke DSX 8000 Test


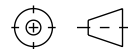
**Miscellaneous**

- Cable Assembly To Be Tested For Continuity
- Cable Assembly To Be Individually Packaged




**WIRING MAP**



|  |  |  |  |                                    |
|--|--|--|--|------------------------------------|
| UNLESS OTHERWISE SPECIFIED, DIMENSIONS ARE IN INCHES [mm]<br>OVERALL CABLE LENGTH TOLERANCE:<br>≤12 [305] = +1 [25] / -0<br>>12 [305] ≤60 [1524] = +2 [51] / -0<br>>60 [1524] ≤120 [3048] = +4 [102] / -0<br>>120 [3048] ≤300 [7620] = +6 [152] / -0<br>>300 [7620] = +5% / -0<br>ALL OTHER DIMENSIONAL TOLERANCES:<br>.X = ± .2 [5]   FRACTIONS ± 1/32<br>.XX = ± .02 [5]   ANGLES ± 1°<br>.XXX = ± .005 [13] | APPROVALS  | DATE   | <br>an INFINITI® brand<br>50 High Street, West Mill,<br>North Andover, MA 01845 USA.<br>Phone: 1.800.341.5266<br>1.978.682.6936 |                                    |
|  | DRAWN BY<br>KDANG  | 6/1/2023   |  | CATEGORY<br><b>TELECOM/MODULAR</b> |
|  | CHECKED BY<br>DAVIDG                                     | 6/28/2023  |  |                                    |
|  | APPROVED BY<br>DAVIDG                                    | 6/28/2023  |  |                                    |
| THIRD-ANGLE PROJECTION   | CONFIGURATION DETAILS OF UNDIMENSIONED FEATURES MAY VARY | PRODUCT DESCRIPTION<br>Category 6A 10Gig 90W PoE Ethernet Cable Assembly | SIZE<br><b>A</b>   |                                    |
|   | COLOR VARIATIONS MAY OCCUR                               | CAGE CODE<br><b>43321</b>  | ITEM NO.<br><b>TRD623APDS</b>  |                                    |
|  |  | SCALE: NONE  | SHEET 1 OF 2   |                                    |

THE INFORMATION CONTAINED IN THIS DRAWING IS THE SOLE PROPERTY OF L-COM, INC. ANY REPRODUCTION IN PART OR WHOLE WITHOUT THE WRITTEN PERMISSION OF L-COM, INC. IS PROHIBITED.

| PART NUMBER         | COLOR | LENGTH FEET [METERS] | TOLERANCE INCH [mm]   |
|---------------------|-------|----------------------|-----------------------|
| TRD623APDS-BLK-1F   | BLACK | 1.0 [0.30]           | +1.38/-.59 [+35/-15]  |
| TRD623APDS-BLK-6F   | BLACK | 2.0 [0.60]           | +1.38/-.79 [+35/-20]  |
| TRD623APDS-BLK-10F  | BLACK | 10.0 [3.04]          | +1.38/-1.18 [+35/-30] |
| TRD623APDS-BLK-15F  | BLACK | 15.0 [4.57]          | +1.38/-1.18 [+35/-30] |
| TRD623APDS-BLK-25F  | BLACK | 25.0 [7.62]          | ± 2.36[ 60]           |
| TRD623APDS-BLK-50F  | BLACK | 50 [15.24]           | ± 2.36[ 60]           |
| TRD623APDS-BLK-75F  | BLACK | 75 [22.86]           | ± 3.15[ 80]           |
| TRD623APDS-BLK-100F | BLACK | 100 [30.48]          | ± 3.15[ 80]           |
| TRD623APDS-BLK-125F | BLACK | 125 [38.10]          | ± 3.15[ 80]           |
| TRD623APDS-BLK-150F | BLACK | 150 [45.72]          | ± 3.15[ 80]           |
| TRD623APDS-BLK-200F | BLACK | 200 [60.96]          | ± 3.15[ 80]           |

|   |                           |   |                  |
|---|---------------------------|---|------------------|
|  |                           | 50 High Street, West Mill,<br>North Andover, MA 01845 USA.<br>Phone: 1.800.341.5266<br>1.978.682.6936 |                  |
| CATEGORY<br><b>TELECOM/MODULAR</b>  |                           |   |                  |
| PRODUCT DESCRIPTION<br>Category 6A 10Gig 90W PoE Ethernet<br>Cable Assembly           |                           |   |                  |
| SIZE<br><b>A</b>  | CAGE CODE<br><b>43321</b> | ITEM NO.<br><b>TRD623APDS</b>   | REV.<br><b>A</b> |
| SCALE: NONE   |                           | CAD FILE: TRD623APDS.SLDDRW   |                  |
|   |                           |   | SHEET 2 OF 2     |