

THE INFORMATION CONTAINED IN THIS DRAWING IS THE SOLE PROPERTY OF L-COM, INC. ANY REPRODUCTION IN PART OR WHOLE WITHOUT THE WRITTEN PERMISSION OF L-COM, INC. IS PROHIBITED.

REVISION					
ZONE	REV	DESCRIPTION	DATE	CHANGED BY	APPROVED
	A	INITIAL RELEASE	6/28/2023	DAVIDG	DAVIDG

Overview
 Bandwidth: 500MHz
 OD:3.5mm
 Conductor: 28AWG
 Approvals: RoHS
 Connector: 50U" gold plated RJ45 connector

Physical Characteristics

- Cable Type: CAT6A UTP
- Connector Type(s): RJ45
- Wiring Scheme: T568B
- Temperature Rating
 - Installation: 0°C ~ 50°C
 - Operation: -20°C ~ 60°C
- Voltage Rating: 30V

Conductor (Qty, 4 twisted pair)

- Conductor Type: 28AWG(7/0.12±0.008mm), Stranded Bare Copper.
- Insulation: HDPE
- Diameter: 0.61 ±0.05mm
- Pair Identification:
 - Pair1 = Orange, Orange-White
 - Pair2 = Blue, Blue-White
 - Pair3 = Green, Green-White
 - Pair4 = Brown, Brown-White

Connector Type (Qty, 2)

- Connector Type: 8P8C (RJ45)
- Gender: Plug
- Connector Material: PC(94-V0)
- Contact Material: Copper Alloy, Gold Plating-50µm
- Hood Material: Transparent Assemble Boot

Overall Cable

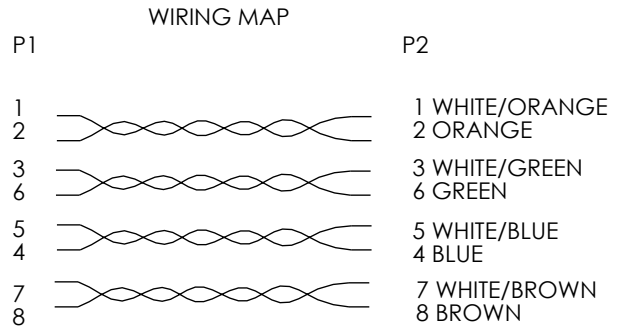
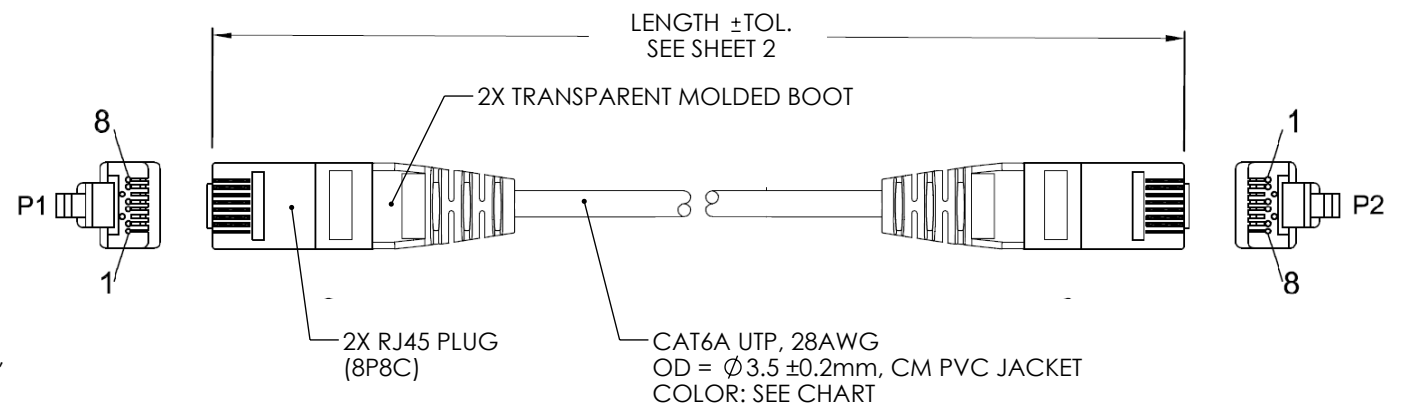
- Jacket: CM PVC
- Minimum Average Thickness: 0.60mm
- Outer Diameter: 3.5 ±0.2mm


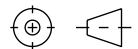
Electrical Characteristics

- Conductor DC Resistance: 28.4Ω/100m Max.
- Impedance: 100Ω
- Capacitance: 5600pf/100m
- Propagation Delay: 545ns/100m Max.
- Delay Skew: 45ns/100m Max.
- Pass Fluke DSX 8000 ISO Patch Cord Test (100%)

Miscellaneous

- Cable Assembly To Be Tested For Continuity
- Cable Assembly To Be Individually Packaged




UNLESS OTHERWISE SPECIFIED, DIMENSIONS ARE IN INCHES [mm] OVERALL CABLE LENGTH TOLERANCE: ≤12 [305] = +1 [25] / -0 >12 [305] ≤60 [1524] = +2 [51] / -0 >60 [1524] ≤120 [3048] = +4 [102] / -0 >120 [3048] ≤300 [7620] = +6 [152] / -0 >300 [7620] = +5% / -0 ALL OTHER DIMENSIONAL TOLERANCES: .X = ±.2 [5] FRACTIONS ± 1/32 .XX = ±.02 [.5] ANGLES ± 1° .XXX = ±.005 [.13]	APPROVALS	DATE	 50 High Street, West Mill, North Andover, MA 01845 USA. Phone: 1.800.341.5266 1.978.682.6936
	DRAWN BY KDANG	6/1/2023	
	CHECKED BY DAVIDG	6/5/2023	
	APPROVED BY DAVIDG	6/5/2023	
	CONFIGURATION DETAILS OF UNDIMENSIONED FEATURES MAY VARY		CATEGORY TELECOM/MODULAR
THIRD-ANGLE PROJECTION	COLOR VARIATIONS MAY OCCUR		PRODUCT DESCRIPTION Category 6A 10Gig Component Tested Slim Ethernet Cable Assembly
	SIZE A	CAGE CODE 43321	ITEM NO. TRD695ACL
	SCALE: NONE	CAD FILE: TRD695ACL.SLDDRW	SHEET 1 OF 2

THE INFORMATION CONTAINED IN THIS DRAWING IS THE SOLE PROPERTY OF L-COM, INC. ANY REPRODUCTION IN PART OR WHOLE WITHOUT THE WRITTEN PERMISSION OF L-COM, INC. IS PROHIBITED.

PART NUMBER	COLOR	LENGTH FEET [METERS]	TOLERANCE INCH [mm]
TRD695ACL-BLK-05F	BLACK	0.5 [0.15]	+1.38/-.59 [+35/-15]
TRD695ACL-BLK-1F	BLACK	1.0 [0.30]	+1.38/-.59 [+35/-15]
TRD695ACL-BLK-3F	BLACK	3.0 [0.91]	+1.38/-.59 [+35/-15]
TRD695ACL-BLK-5F	BLACK	5.0 [1.52]	+1.38/-.79 [+35/-20]
TRD695ACL-BLK-10F	BLACK	10.0 [3.04]	+1.38/-1.18 [+35/-30]
TRD695ACL-BLK-15F	BLACK	15.0 [4.57]	+1.38/-1.18 [+35/-30]
TRD695ACL-BLK-20F	BLACK	20.0 [6.09]	± 2.36[60]
TRD695ACL-BLK-25F	BLACK	25.0 [7.62]	± 2.36[60]

PART NUMBER	COLOR	LENGTH FEET [METERS]	TOLERANCE INCH [mm]
TRD695ACL-BLU-05F	BLUE	0.5 [0.15]	+1.38/-.59 [+35/-15]
TRD695ACL-BLU-1F	BLUE	1.0 [0.30]	+1.38/-.59 [+35/-15]
TRD695ACL-BLU-3F	BLUE	3.0 [0.91]	+1.38/-.59 [+35/-15]
TRD695ACL-BLU-5F	BLUE	5.0 [1.52]	+1.38/-.79 [+35/-20]
TRD695ACL-BLU-10F	BLUE	10.0 [3.04]	+1.38/-1.18 [+35/-30]
TRD695ACL-BLU-15F	BLUE	15.0 [4.57]	+1.38/-1.18 [+35/-30]
TRD695ACL-BLU-20F	BLUE	20.0 [6.09]	± 2.36[60]
TRD695ACL-BLU-25F	BLUE	25.0 [7.62]	± 2.36[60]

PART NUMBER	COLOR	LENGTH FEET [METERS]	TOLERANCE INCH [mm]
TRD695ACL-GRY-05F	GRAY	0.5 [0.15]	+1.38/-.59 [+35/-15]
TRD695ACL-GRY-1F	GRAY	1.0 [0.30]	+1.38/-.59 [+35/-15]
TRD695ACL-GRY-3F	GRAY	3.0 [0.91]	+1.38/-.59 [+35/-15]
TRD695ACL-GRY-5F	GRAY	5.0 [1.52]	+1.38/-.79 [+35/-20]
TRD695ACL-GRY-10F	GRAY	10.0 [3.04]	+1.38/-1.18 [+35/-30]
TRD695ACL-GRY-15F	GRAY	15.0 [4.57]	+1.38/-1.18 [+35/-30]
TRD695ACL-GRY-20F	GRAY	20.0 [6.09]	± 2.36[60]
TRD695ACL-GRY-25F	GRAY	25.0 [7.62]	± 2.36[60]

		50 High Street, West Mill, North Andover, MA 01845 USA. Phone: 1.800.341.5266 1.978.682.6936	
CATEGORY			
TELECOM/MODULAR			
PRODUCT DESCRIPTION			
Category 6A 10Gig Component Tested Slim Ethernet Cable Assembly			
SIZE	CAGE CODE	ITEM NO.	REV.
A	43321	TRD695ACL	A
SCALE: NONE		CAD FILE: TRD695ACL.SLDDRW	SHEET 2 OF 2