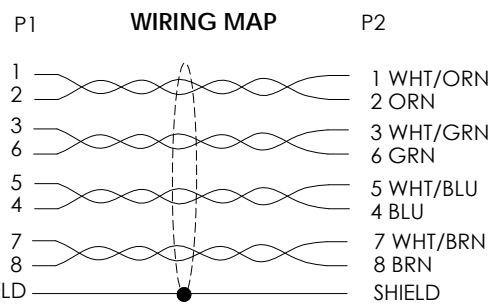
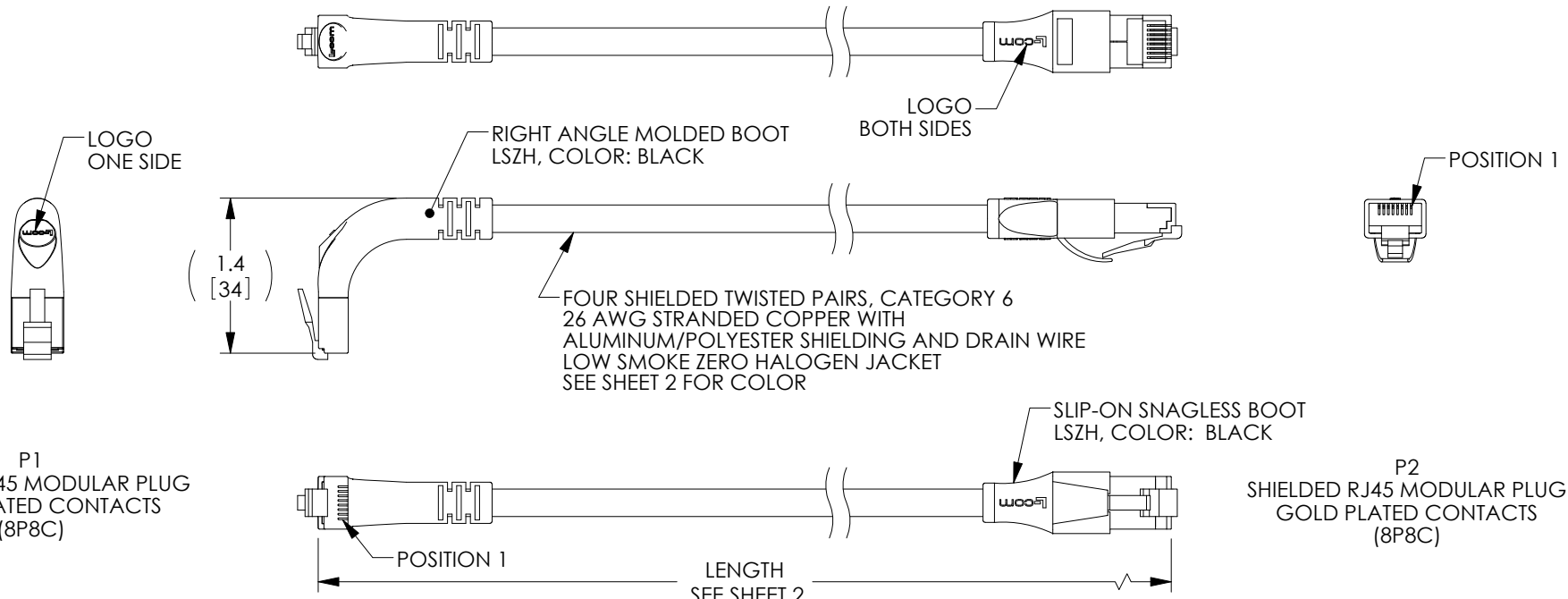


THE INFORMATION CONTAINED IN THIS DRAWING IS THE SOLE PROPERTY OF L-COM, INC. ANY REPRODUCTION IN PART OR WHOLE WITHOUT THE WRITTEN PERMISSION OF L-COM, INC. IS PROHIBITED.

REVISIONS			
REV	DESCRIPTION	DATE	APPROVED
A	RELEASED FOR PRODUCTION	6/11/12	D. DESJARDIN
B	ECN6548: UPDATED NOTES. CHANGED PE NOTE TO LSZH	11/28/12	D. DESJARDIN
C	ECN7580: UPDATED PIN POSITION 1, UPADTE ROHS NOTE	9/3/14	S.Li
D	ECN 7667: REMOVE CHANNEL RATING NOTE AND ALL LENGTHS OVER 30 FT	11/21/14	D.FRISIELLO



NOTES:

1. PLUG CONFORMS TO TIA-1096
2. CABLE ASSEMBLY SHALL BE TESTED FOR CONTINUITY.
3. CABLE ASSEMBLY SHALL BE INDIVIDUALLY PACKAGED IN ACCORDANCE WITH L-COM SPECIFICATION PS-0031.

REGULATORY COMPLIANCE:
CE2011/65/EU (ROHS DIRECTIVE)

UNLESS OTHERWISE SPECIFIED, DIMENSIONS ARE IN INCHES [mm] OVERALL CABLE LENGTH TOLERANCE: ≤ 12 [305] = +1 [25] / -0 >12 [305] ≤ 60 [1524] = +2 [51] / -0 >60 [1524] ≤ 120 [3048] = +4 [102] / -0 >120 [3048] ≤ 300 [7620] = +6 [152] / -0 >300 [7620] = +5% / -0% ALL OTHER DIMENSIONAL TOLERANCES: .X = ± .2 [5.08] .XX = ± .02 [51] .XXX = ± .005 [1.27]	APPROVALS DRAWN BY D. PARHAM CHECKED BY ENG APPROVED BY D. GALLAGHER	DATE 02/13/2012 6/11/12 6/11/12	45 BEECHWOOD DRIVE NORTH ANDOVER, MA 01845	
	CONFIGURATION DETAILS OF UNDIMENSIONED FEATURES MAY VARY			CATEGORY TELECOM/MODULAR
	PROJECTION 	COLOR VARIATIONS MAY OCCUR	SIZE A	FSCM NO. 43321
	DWG. NO. TRD695SZRA2		SCALE: NONE	CAD FILE: TRD695SZRA2.SLDDRW
		SHEET 1 OF 2	REV. D	

THE INFORMATION CONTAINED IN THIS DRAWING IS THE SOLE PROPERTY OF L-COM, INC. ANY REPRODUCTION IN PART OR WHOLE WITHOUT THE WRITTEN PERMISSION OF L-COM, INC. IS PROHIBITED.



PART NUMBER	COLOR	LENGTH FEET [METERS]	PART NUMBER	COLOR	LENGTH FEET [METERS]	PART NUMBER	COLOR	LENGTH FEET [METERS]
TRD695SZRA2BLK-1	BLACK	1.0 [0.30]	TRD695SZRA2RD-1	RED	1.0 [0.30]	TRD695SZRA2GRY-1	GRAY	1.0 [0.30]
TRD695SZRA2BLK-2	BLACK	2.0 [0.61]	TRD695SZRA2RD-2	RED	2.0 [0.61]	TRD695SZRA2GRY-2	GRAY	2.0 [0.61]
TRD695SZRA2BLK-3	BLACK	3.0 [0.91]	TRD695SZRA2RD-3	RED	3.0 [0.91]	TRD695SZRA2GRY-3	GRAY	3.0 [0.91]
TRD695SZRA2BLK-5	BLACK	5.0 [1.52]	TRD695SZRA2RD-5	RED	5.0 [1.52]	TRD695SZRA2GRY-5	GRAY	5.0 [1.52]
TRD695SZRA2BLK-7	BLACK	7.0 [2.13]	TRD695SZRA2RD-7	RED	7.0 [2.13]	TRD695SZRA2GRY-7	GRAY	7.0 [2.13]
TRD695SZRA2BLK-10	BLACK	10.0 [3.05]	TRD695SZRA2RD-10	RED	10.0 [3.05]	TRD695SZRA2GRY-10	GRAY	10.0 [3.05]
TRD695SZRA2BLK-15	BLACK	15.0 [4.57]	TRD695SZRA2RD-15	RED	15.0 [4.57]	TRD695SZRA2GRY-15	GRAY	15.0 [4.57]
TRD695SZRA2BLK-20	BLACK	20.0 [6.10]	TRD695SZRA2RD-20	RED	20.0 [6.10]	TRD695SZRA2GRY-20	GRAY	20.0 [6.10]
TRD695SZRA2BLK-25	BLACK	25.0 [7.62]	TRD695SZRA2RD-25	RED	25.0 [7.62]	TRD695SZRA2GRY-25	GRAY	25.0 [7.62]
TRD695SZRA2BLK-30	BLACK	30.0 [9.14]	TRD695SZRA2RD-30	RED	30.0 [9.14]	TRD695SZRA2GRY-30	GRAY	30.0 [9.14]

		45 BEECHWOOD DRIVE NORTH ANDOVER, MA 01845	
CATEGORY <p style="text-align: center;">TELECOM/MODULAR</p>			
PRODUCT DESCRIPTION <p style="text-align: center;">C6 LSZ FTP STR-UP</p>			
SIZE A	FSCM NO. 43321	DWG. NO. TRD695SZRA2	REV. D
SCALE: NONE		CAD FILE: TRD695SZRA2.SLDDRW	
			SHEET 2 OF 2