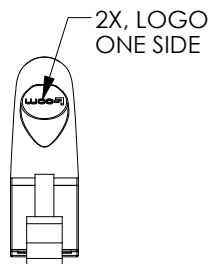


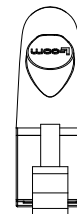
THE INFORMATION CONTAINED IN THIS DRAWING IS THE SOLE PROPERTY OF L-COM, INC. ANY REPRODUCTION IN PART OR WHOLE WITHOUT THE WRITTEN PERMISSION OF L-COM, INC. IS PROHIBITED.

REVISIONS			
REV	DESCRIPTION	DATE	APPROVED
A	INITIAL RELEASE	3/21/12	D.GRIFFIN
B	ECN 6202: CHANGED BOOTS TO "PE"	6/5/12	D. DESJARDIN
C	ECN6548: UPDATED NOTES. CHANGED PE NOTE TO LSZH	11/28/12	D. DESJARDIN
D	ECN 7667: REMOVE CHANNEL RATING NOTE AND ALL LENGTHS OVER 30 FT	11/25/14	

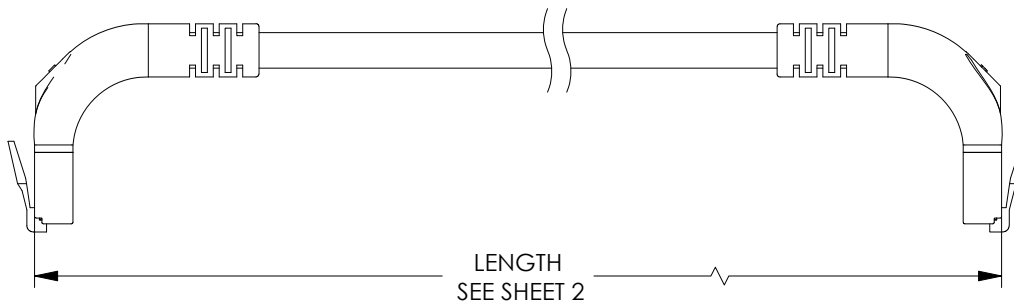


2X, LOGO ONE SIDE

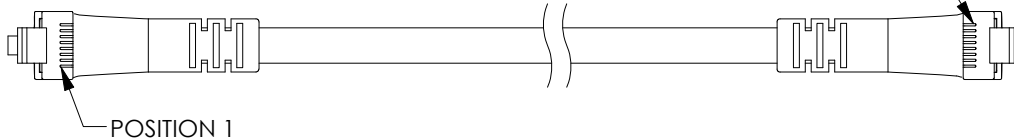
P1
SHIELDED RJ45 MODULAR PLUG
GOLD PLATED CONTACTS
(8P8C)



P2
SHIELDED RJ45 MODULAR PLUG
GOLD PLATED CONTACTS
(8P8C)

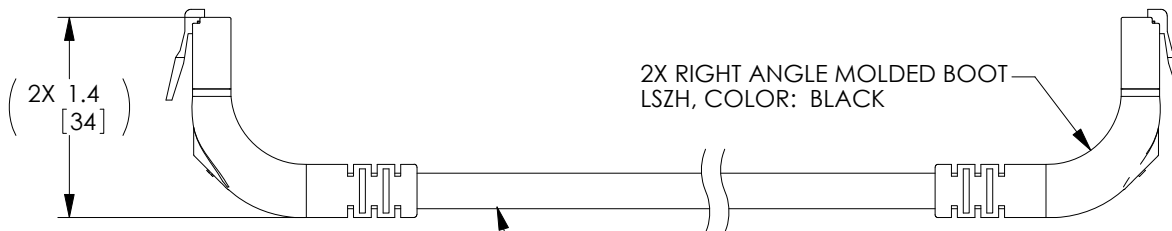


LENGTH
SEE SHEET 2



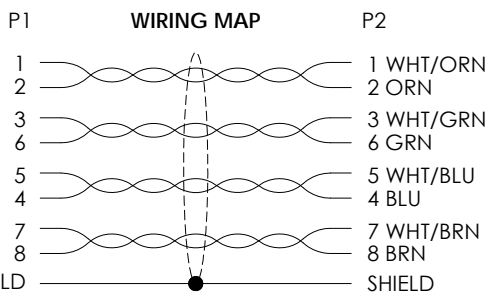
POSITION 1

POSITION 1



(2X 1.4
[34])

2X RIGHT ANGLE MOLDED BOOT
LSZH, COLOR: BLACK



FOUR SHIELDED TWISTED PAIRS, CATEGORY 6
26 AWG STRANDED COPPER WITH
ALUMINUM/POLYESTER SHIELDING AND DRAIN WIRE
LOW SMOKE ZERO HALOGEN JACKET
SEE SHEET 2 FOR COLOR



NOTES:

1. PLUG CONFORMS TO TIA-1096
2. CABLE ASSEMBLY SHALL BE TESTED FOR CONTINUITY.
3. CABLE ASSEMBLY SHALL BE INDIVIDUALLY PACKAGED IN ACCORDANCE WITH L-COM SPECIFICATION PS-0031.

REGULATORY COMPLIANCE:
CE2011/65/EU (RoHS DIRECTIVE)

UNLESS OTHERWISE SPECIFIED, DIMENSIONS ARE IN INCHES [mm] OVERALL CABLE LENGTH TOLERANCE: ≤12 [305] = +1 [25] / -0 >12 [305] ≤60 [1524] = +2 [51] / -0 >60 [1524] ≤120 [3048] = +4 [102] / -0 >120 [3048] ≤300 [7620] = +6 [152] / -0 >300 [7620] = +5% / -0%	APPROVALS	DATE		45 BEECHWOOD DRIVE NORTH ANDOVER, MA 01845
	DRAWN BY D. DESJARDIN	3/14/12		
ALL OTHER DIMENSIONAL TOLERANCES: .X = ±.2 [5.08] .XX = ±.02 [1.51] .XXX = ±.005 [1.13]	CHECKED BY J. RUST	3/16/12	CATEGORY TELECOM/MODULAR	
	APPROVED BY D. GALLAGHER	3/20/12	PRODUCT DESCRIPTION C6 LSZH FTP UP-UP	
PROJECTION 	CONFIGURATION DETAILS OF UNDIMENSIONED FEATURES MAY VARY	COLOR VARIATIONS MAY OCCUR	SIZE A	FSCM NO. 43321
			DWG. NO. TRD695SZRA5	REV. D
			SCALE: NONE	CAD FILE: TRD695SZRA5.SLDDRW
				SHEET 1 OF 2

THE INFORMATION CONTAINED IN THIS DRAWING IS THE SOLE PROPERTY OF L-COM, INC. ANY REPRODUCTION IN PART OR WHOLE WITHOUT THE WRITTEN PERMISSION OF L-COM, INC. IS PROHIBITED.



PART NUMBER	COLOR	LENGTH FEET [METERS]	PART NUMBER	COLOR	LENGTH FEET [METERS]	PART NUMBER	COLOR	LENGTH FEET [METERS]
TRD695SZRA5BLK-1	BLACK	1.0 [0.30]	TRD695SZRA5RD-1	RED	1.0 [0.30]	TRD695SZRA5GRY-1	GRAY	1.0 [0.30]
TRD695SZRA5BLK-2	BLACK	2.0 [0.61]	TRD695SZRA5RD-2	RED	2.0 [0.61]	TRD695SZRA5GRY-2	GRAY	2.0 [0.61]
TRD695SZRA5BLK-3	BLACK	3.0 [0.91]	TRD695SZRA5RD-3	RED	3.0 [0.91]	TRD695SZRA5GRY-3	GRAY	3.0 [0.91]
TRD695SZRA5BLK-5	BLACK	5.0 [1.52]	TRD695SZRA5RD-5	RED	5.0 [1.52]	TRD695SZRA5GRY-5	GRAY	5.0 [1.52]
TRD695SZRA5BLK-7	BLACK	7.0 [2.13]	TRD695SZRA5RD-7	RED	7.0 [2.13]	TRD695SZRA5GRY-7	GRAY	7.0 [2.13]
TRD695SZRA5BLK-10	BLACK	10.0 [3.05]	TRD695SZRA5RD-10	RED	10.0 [3.05]	TRD695SZRA5GRY-10	GRAY	10.0 [3.05]
TRD695SZRA5BLK-15	BLACK	15.0 [4.57]	TRD695SZRA5RD-15	RED	15.0 [4.57]	TRD695SZRA5GRY-15	GRAY	15.0 [4.57]
TRD695SZRA5BLK-20	BLACK	20.0 [6.10]	TRD695SZRA5RD-20	RED	20.0 [6.10]	TRD695SZRA5GRY-20	GRAY	20.0 [6.10]
TRD695SZRA5BLK-25	BLACK	25.0 [7.62]	TRD695SZRA5RD-25	RED	25.0 [7.62]	TRD695SZRA5GRY-25	GRAY	25.0 [7.62]
TRD695SZRA5BLK-30	BLACK	30.0 [9.14]	TRD695SZRA5RD-30	RED	30.0 [9.14]	TRD695SZRA5GRY-30	GRAY	30.0 [9.14]

		45 BEECHWOOD DRIVE NORTH ANDOVER, MA 01845	
CATEGORY TELECOM/MODULAR			
PRODUCT DESCRIPTION C6 LSZ FTP UP-UP			
SIZE A	FSCM NO. 43321	DWG. NO. TRD695SZRA5	REV. D
SCALE: NONE		CAD FILE: TRD695SZRA5.SLDDRW	SHEET 2 OF 2