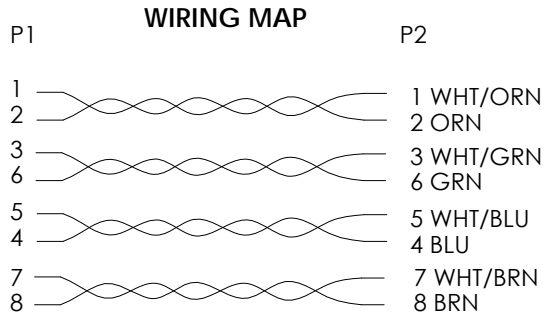
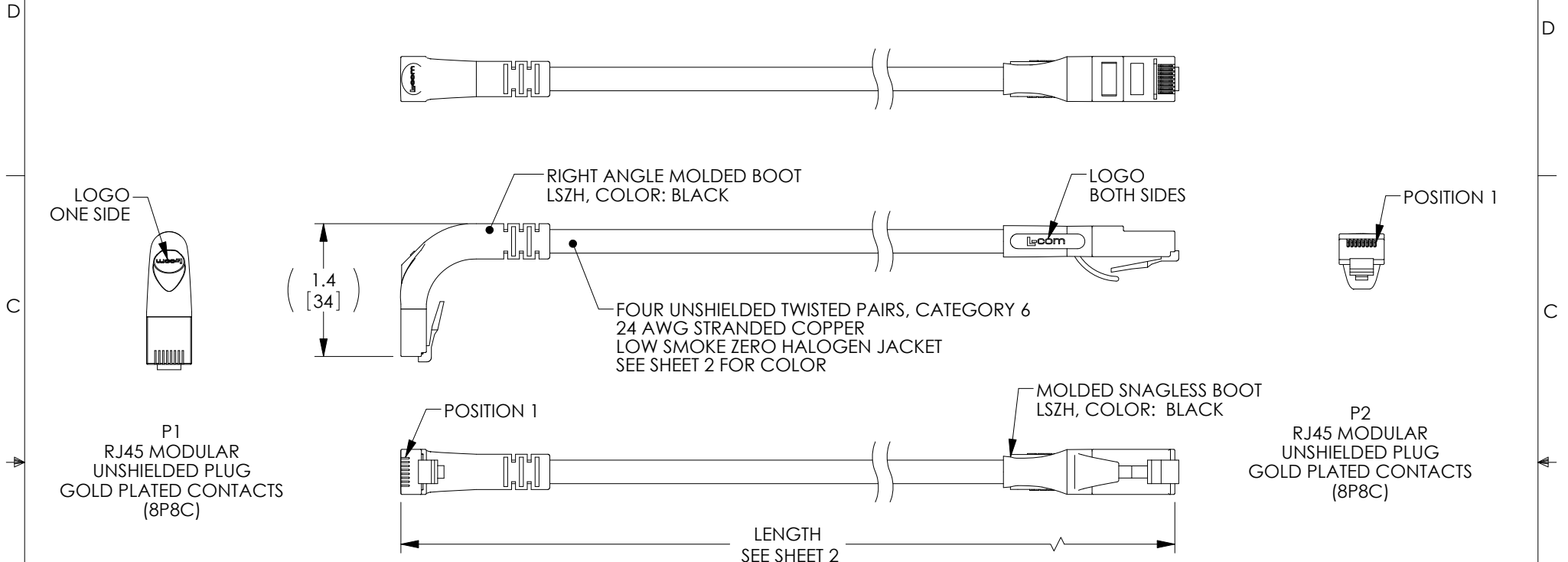


THE INFORMATION CONTAINED IN THIS DRAWING IS THE SOLE PROPERTY OF L-COM, INC. ANY REPRODUCTION IN PART OR WHOLE WITHOUT THE WRITTEN PERMISSION OF L-COM, INC. IS PROHIBITED.

REVISIONS			
REV	DESCRIPTION	DATE	APPROVED
A	RELEASED FOR PRODUCTION	6/11/12	D. DESJARDIN
B	ECN 6547: UPDATED NOTES. CHANGED PE NOTE TO LSZH	11/28/12	D. DESJARDIN
C	ECN 7667: REMOVE CHANNEL RATING NOTE AND ALL LENGTHS OVER 30 FT	11/19/14	D. FRISIELLO



NOTES:

1. PLUG CONFORMS TO TIA-1096
2. CABLE ASSEMBLY SHALL BE TESTED FOR CONTINUITY.
3. CABLE ASSEMBLY SHALL BE INDIVIDUALLY PACKAGED IN ACCORDANCE WITH L-COM SPECIFICATION PS-0031.

REGULATORY COMPLIANCE:
CE2011/65/EU(RoHS DIRECTIVE)

UNLESS OTHERWISE SPECIFIED, DIMENSIONS ARE IN INCHES [mm] OVERALL CABLE LENGTH TOLERANCE: ≤12 [305] = +1 [25] / -0 >12 [305] ≤60 [1524] = +2 [51] / -0 >60 [1524] ≤120 [3048] = +4 [102] / -0 >120 [3048] ≤300 [7620] = +6 [152] / -0 >300 [7620] = +5% / -0%	APPROVALS	DATE		45 BEECHWOOD DRIVE NORTH ANDOVER, MA 01845
	DRAWN BY D. PARHAM	02/13/2012		CATEGORY TELECOM/MODULAR
ALL OTHER DIMENSIONAL TOLERANCES: .X = ± .2 [5.08] .XX = ± .02 [5.1] .XXX = ± .005 [1.3]	CHECKED BY ENG	06/11/2012	PRODUCT DESCRIPTION C6 LSZ UTP STR-DWN	
	APPROVED BY D. GALLAGHER	06/11/2012	CONFIGURATION DETAILS OF UNDIMENSIONED FEATURES MAY VARY	
PROJECTION 	COLOR VARIATIONS MAY OCCUR	SIZE A	FSCM NO. 43321	DWG. NO. TRD695ZRA1
		SCALE: NONE	CAD FILE: TRD695ZRA1.SLDDRW	SHEET 1 OF 2

THE INFORMATION CONTAINED IN THIS DRAWING IS THE SOLE PROPERTY OF L-COM, INC. ANY REPRODUCTION IN PART OR WHOLE WITHOUT THE WRITTEN PERMISSION OF L-COM, INC. IS PROHIBITED.



PART NUMBER	COLOR	LENGTH FEET [METERS]	PART NUMBER	COLOR	LENGTH FEET [METERS]	PART NUMBER	COLOR	LENGTH FEET [METERS]
TRD695ZRA1BLK-1	BLACK	1.0 [0.30]	TRD695ZRA1RD-1	RED	1.0 [0.30]	TRD695ZRA1GRY-1	GRAY	1.0 [0.30]
TRD695ZRA1BLK-2	BLACK	2.0 [0.61]	TRD695ZRA1RD-2	RED	2.0 [0.61]	TRD695ZRA1GRY-2	GRAY	2.0 [0.61]
TRD695ZRA1BLK-3	BLACK	3.0 [0.91]	TRD695ZRA1RD-3	RED	3.0 [0.91]	TRD695ZRA1GRY-3	GRAY	3.0 [0.91]
TRD695ZRA1BLK-5	BLACK	5.0 [1.52]	TRD695ZRA1RD-5	RED	5.0 [1.52]	TRD695ZRA1GRY-5	GRAY	5.0 [1.52]
TRD695ZRA1BLK-7	BLACK	7.0 [2.13]	TRD695ZRA1RD-7	RED	7.0 [2.13]	TRD695ZRA1GRY-7	GRAY	7.0 [2.13]
TRD695ZRA1BLK-10	BLACK	10.0 [3.05]	TRD695ZRA1RD-10	RED	10.0 [3.05]	TRD695ZRA1GRY-10	GRAY	10.0 [3.05]
TRD695ZRA1BLK-15	BLACK	15.0 [4.57]	TRD695ZRA1RD-15	RED	15.0 [4.57]	TRD695ZRA1GRY-15	GRAY	15.0 [4.57]
TRD695ZRA1BLK-20	BLACK	20.0 [6.10]	TRD695ZRA1RD-20	RED	20.0 [6.10]	TRD695ZRA1GRY-20	GRAY	20.0 [6.10]
TRD695ZRA1BLK-25	BLACK	25.0 [7.62]	TRD695ZRA1RD-25	RED	25.0 [7.62]	TRD695ZRA1GRY-25	GRAY	25.0 [7.62]
TRD695ZRA1BLK-30	BLACK	30.0 [9.14]	TRD695ZRA1RD-30	RED	30.0 [9.14]	TRD695ZRA1GRY-30	GRAY	30.0 [9.14]

L-com Global Connectivity 45 BEECHWOOD DRIVE
NORTH ANDOVER, MA 01845

CATEGORY TELECOM/MODULAR

PRODUCT DESCRIPTION C6 LSZ UTP STR-DWN

SIZE A	FSCM NO. 43321	DWG. NO. TRD695ZRA1	REV. C
------------------	--------------------------	------------------------	------------------

SCALE: NONE | CAD FILE: TRD695ZRA1.SLDDRW | SHEET 2 OF 2