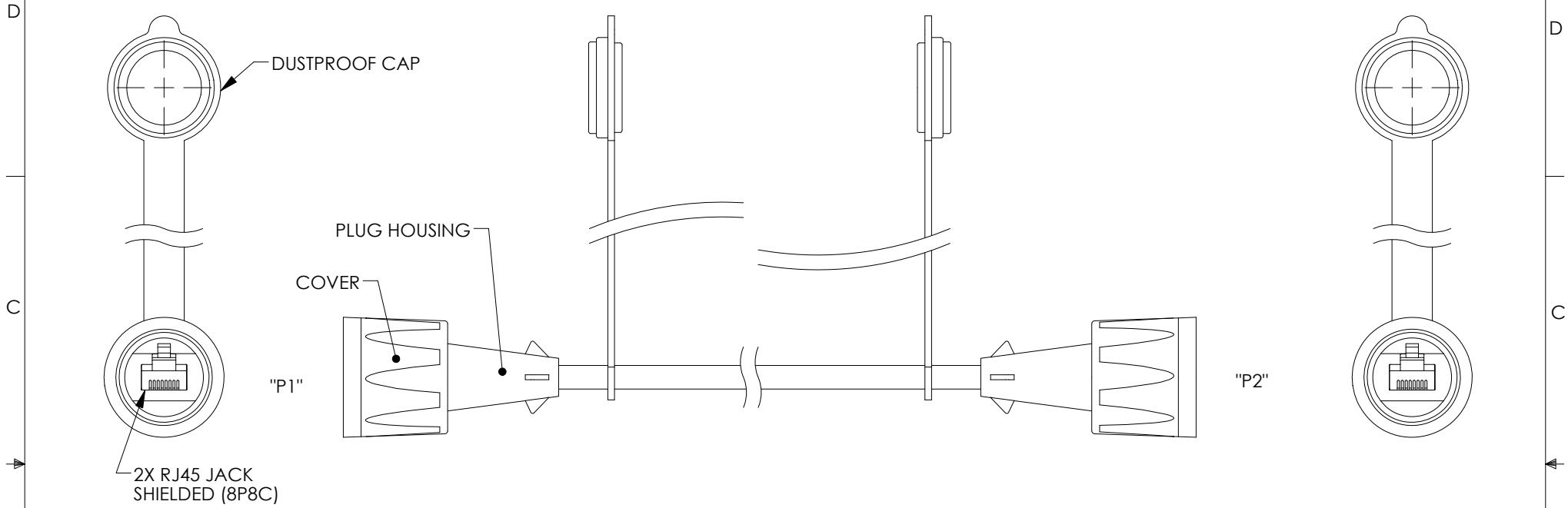


THE INFORMATION CONTAINED IN THIS DRAWING IS THE SOLE PROPERTY OF L-COM, INC. ANY REPRODUCTION IN PART OR WHOLE WITHOUT THE WRITTEN PERMISSION OF L-COM, INC. IS PROHIBITED.

REVISIONS			
REV	DESCRIPTION	DATE	APPROVED
A	INITIAL RELEASE	1/12/18	D.FRISIELLO



NOTES:

MATERIAL:

PLUG HOUSING AND COVER: PBT, BLACK
 CONTACTS: PHOSPHOR BRONZE, C5191
 DUSTPROOF CAP: PVC, BLACK
 CABLE: PVC, BLACK

CABLE JACKET LEGEND:

TYPE CMX OUTDOOR 75 ° C E466489-D2
 SHIELDED FOUR TWISTED PAIRS ETL VERIFIED TO
 ANSI/TIA-568-C.2 PATCH CABLE FTP CAT 5e, 26AWG
 WITH ALUM/POLY FOIL TAPE AND DRAIN WIRE.

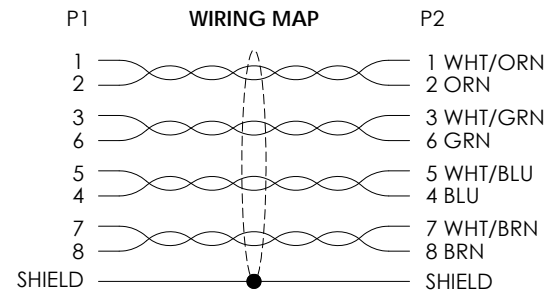
MISCELLANEOUS:

INSERTION LIFE: 750 CYCLES, MIN.
 IP RATING: IP67 WHEN COVER IS ENGAGED.
 OPERATING TEMPERATURE RANGE: -20°C TO +80°C.
 STORAGE TEMPERATURE RANGE: -20°C TO +80°C.
 HUMIDITY: 20% ~ 80% RH
 CABLE ASSEMBLY TO BE TESTED FOR CONTINUITY.
 CABLE ASSEMBLY TO BE INDIVIDUALLY PACKAGED IN
 ACCORDANCE WITH L-COM SPECIFICATION PS-0031.

REGULATORY COMPLIANCE:

CE2011/65/EU(RoHS DIRECTIVE)

MODEL NUMBER	LENGTH	
	METERS	FEET
TRD815WP-1M	1.0	3.28
TRD815WP-2M	2.0	6.56
TRD815WP-3M	3.0	9.84
TRD815WP-5M	5.0	16.41



UNLESS OTHERWISE SPECIFIED, DIMENSIONS ARE IN INCHES [mm] OVERALL CABLE LENGTH TOLERANCE: ≤12 [305] = +1 [25] / -0 >12 [305] ≤60 [1524] = +2 [51] / -0 >60 [1524] ≤120 [3048] = +4 [102] / -0 >120 [3048] ≤300 [7620] = +6 [152] / -0 >300 [7620] = +5% / -0%	APPROVALS	DATE	 50 HIGH STREET NORTH ANDOVER, MA 01845
	DRAWN BY D.FRISIELLO	1/11/18	
ALL OTHER DIMENSIONAL TOLERANCES: .X = ± .2 [5.08] .XX = ± .02 [1.51] .XXX = ±.005 [1.13]	CHECKED BY D.GUITADAURO	1/12/18	CATEGORY TELECOM/MODULAR
	APPROVED BY D.GUITADAURO	1/12/18	
PROJECTION 	CONFIGURATION DETAILS OF UNDIMENSIONED FEATURES MAY VARY	PRODUCT DESCRIPTION RJ45 IP67 F/UTP C5e PUR BLK W/CAP	
COLOR VARIATIONS MAY OCCUR	SIZE A	FSCM NO. 43321	DWG. NO. TRD815WP
	SCALE: NONE	CAD FILE: TRD815WP.SLDDRW	SHEET 1 OF 1