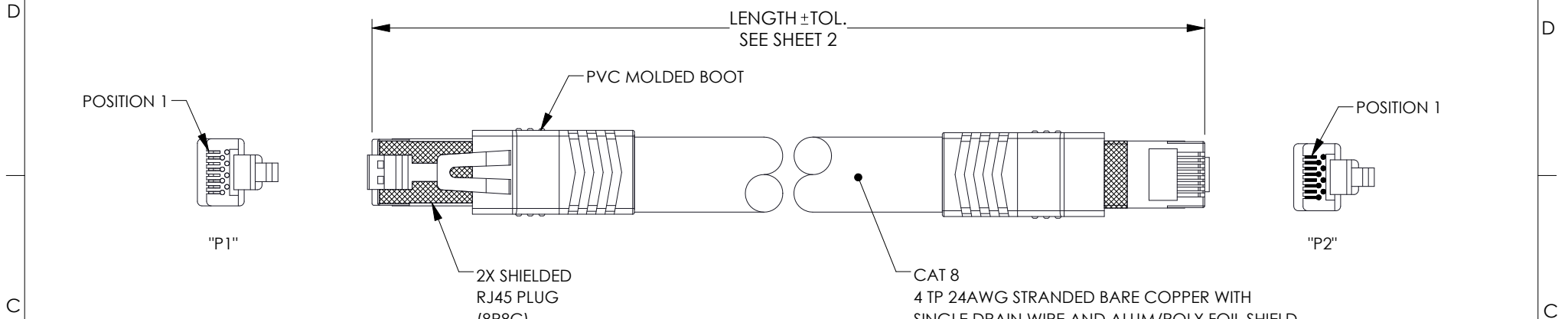


THE INFORMATION CONTAINED IN THIS DRAWING IS THE SOLE PROPERTY OF L-COM, INC. ANY REPRODUCTION IN PART OR WHOLE WITHOUT THE WRITTEN PERMISSION OF L-COM, INC. IS PROHIBITED.

REVISIONS			
REV	DESCRIPTION	DATE	APPROVED
A	INITIAL RELEASE	02/23/22	GUTTADAURO



**NOTES:**

**PHYSICAL CHARACTERISTICS:**

- CABLE TYPE: CAT8 STP
- TEMPERATURE RATING:
  - INSTALLATION: 0°C~50°C
  - OPERATION: -20°C~60°C
- VOLTAGE RATING: 30V

**MECHANICAL CHARACTERISTICS:**

- CONTACT MATERIAL: COPPER ALLOY, 50U" GOLD PLATING

**ELECTRICAL CHARACTERISTICS:**

- CONDUCTOR DC RESISTANCE: 9.53Ω/100M (MAXIMUM)
- IMPEDANCE: 100Ω
- CAPACITANCE: 5600PF/100M
- PROPAGATION DELAY: 545NS/100M (MAXIMUM)
- DELAY SKEW: 45NS/100M (MAXIMUM)
- PASS FLUKE DSX 8000 CHANNEL TEST (5%TEST)
- BANDWIDTH: 2000MHZ

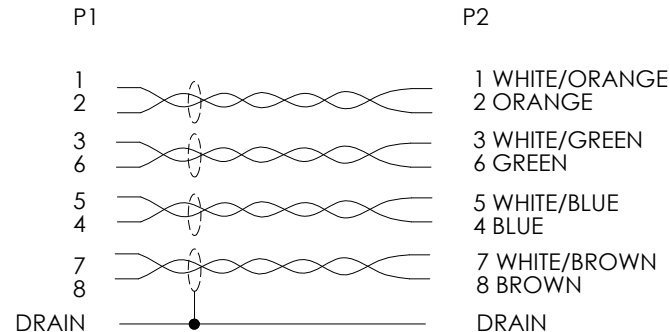
**MISCELLANEOUS:**

- CABLE ASSEMBLY TO BE TESTED FOR CONTINUITY.
- CABLE ASSEMBLY TO BE INDIVIDUALLY PACKAGED IN ACCORDANCE WITH L-COM SPECIFICATION PS-0031.

**REGULATORY COMPLIANCE:**

EU RoHS DIRECTIVE (MOST RECENT RELEASED VERSION)


**WIRING MAP**



UNLESS OTHERWISE SPECIFIED, DIMENSIONS ARE IN INCHES [mm] OVERALL CABLE LENGTH TOLERANCE: ≤12 [305] = +1 [25] / -0 >12 [305] ≤60 [1524] = +2 [51] / -0 >60 [1524] ≤120 [3048] = +4 [102] / -0 >120 [3048] ≤300 [7620] = +6 [152] / -0 >300 [7620] = +5% / -0 ALL OTHER DIMENSIONAL TOLERANCES: .X = ± .2 [5]   FRACTIONS ± 1/32 .XX = ± .02 [.5]   ANGLES ± 1° .XXX = ± .005 [.13]	APPROVALS DRAWN BY VTHANGARAJ CHECKED BY DFRISIELLO APPROVED BY GUTTADAURO	DATE 02/23/22 02/23/22 02/23/22	 an INFINITI brand 50 High Street, West Mill, North Andover, MA 01845 USA. Phone: 1.800.341.5266 1.978.682.6936
	CONFIGURATION DETAILS OF UNDIMENSIONED FEATURES MAY VARY COLOR VARIATIONS MAY OCCUR	CATEGORY <b>TELECOM/MODULAR</b>	
THIRD-ANGLE PROJECTION 	SIZE <b>A</b>	CAGE CODE <b>43321</b>	DWG. NO. <b>TRD824FLAT</b>
SCALE: NONE		CAD FILE: TRD824FLAT.SLDDRW	SHEET 1 OF 2

THE INFORMATION CONTAINED IN THIS DRAWING IS THE SOLE PROPERTY OF L-COM, INC. ANY REPRODUCTION IN PART OR WHOLE WITHOUT THE WRITTEN PERMISSION OF L-COM, INC. IS PROHIBITED.

PART NUMBER	COLOR	LENGTH FEET [METERS]	TOLERANCE INCH [mm]
TRD824FLAT-BLK-05F	BLACK	0.5 [0.15]	+1.38/- .59 [+35/-15]
TRD824FLAT-BLK-1F	BLACK	1.0 [0.30]	+1.38/- .59 [+35/-15]
TRD824FLAT-BLK-3F	BLACK	3.0 [0.91]	+1.38/- .59 [+35/-15]
TRD824FLAT-BLK-5F	BLACK	5.0 [1.52]	+1.38/- .79 [+35/-20]
TRD824FLAT-BLK-7F	BLACK	7.0 [2.13]	+1.38/-1.18 [+35/-30]
TRD824FLAT-BLK-10F	BLACK	10.0 [3.04]	+1.38/-1.18 [+35/-30]
TRD824FLAT-BLK-15F	BLACK	15.0 [4.57]	+1.38/-1.18 [+35/-30]
TRD824FLAT-BLK-25F	BLACK	25.0 [7.62]	± 2.36[ 60]
TRD824FLAT-BLK-35F	BLACK	35.0 [9.14]	± 3.15 [80]
TRD824FLAT-BLK-50F	BLACK	50.0 [15.24]	± 3.15 [80]
TRD824FLAT-BLK-65F	BLACK	65.0 [19.81]	± 3.15 [80]

		50 High Street, West Mill, North Andover, MA 01845 USA. Phone: 1.800.341.5266 1.978.682.6936	
CATEGORY <b>TELECOM/MODULAR</b>			
PRODUCT DESCRIPTION <b>Category 8 25 to 40gig Flat Ethernet          Cable Assembly</b>			
SIZE <b>A</b>	CAGE CODE <b>43321</b>	ITEM NO. <b>TRD824FLAT</b>	REV. <b>A</b>
SCALE: NONE		CAD FILE: TRD824FLAT.SLDDRW	
			SHEET 2 OF 2