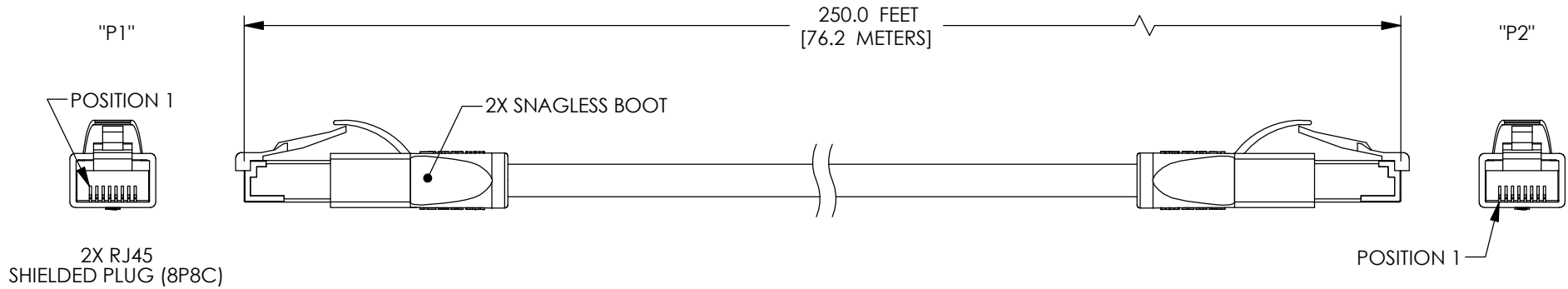


THE INFORMATION CONTAINED IN THIS DRAWING IS THE SOLE PROPERTY OF L-COM, INC. ANY REPRODUCTION IN PART OR WHOLE WITHOUT THE WRITTEN PERMISSION OF L-COM, INC. IS PROHIBITED.

REVISIONS			
REV	DESCRIPTION	DATE	APPROVED
A	INITIAL RELEASE	1/20/15	D.GRIFFIN



NOTES:

MATERIAL:

PLUG HOUSING: POLYCARBONATE, CLEAR, UL94V-0
 CONTACTS: PHOSPHOR BRONZE
 CABLE JACKET: PVC, SEE CHARTS (SHEET 2 OF 2)
 SNAGLESS BOOT: BLACK, LSZH THERMOPLASTIC

FINISH:

CONTACTS: 50 μINCHES GOLD IN CONTACT AREA
 OVER 100 μINCHES NICKEL PLATE OVERALL.
 PLUG SHIELDING: NICKEL PLATED

CABLE CHARACTERISTICS:

SHIELD: ALUMINUM/POLYESTER WITH DRAIN WIRE
 FOUR TWISTED PAIR MODULAR CABLE, 26 AWG (7X34)
 STRANDED COPPER; UL STYLE 2835 COMMUNICATIONS CABLE

ELECTRICAL:


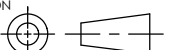
ASSEMBLY WIRED PER TIA/EIA 568B SEQUENCE
 DRAIN WIRE TIED TO PLUG SHIELDS
 NOMINAL IMPEDANCE: 100Ω

MISCELLANEOUS:

PLUG CONFORMS TO TIA-1096
 OPERATING TEMPERATURE RANGE: 0°C TO +60°C.
 CABLES TO BE TESTED FOR CONTINUITY.
 CABLES TO BE INDIVIDUALLY PACKAGED IN ACCORDANCE WITH L-COM SPECIFICATION PS-0031.

REGULATORY COMPLIANCE:

CE2011/65/EU(RoHS DIRECTIVE)

UNLESS OTHERWISE SPECIFIED, DIMENSIONS ARE IN INCHES [mm] OVERALL CABLE LENGTH TOLERANCE: ≤12 [305] = +1 [25] / -0 >12 [305] ≤60 [1524] = +2 [51] / -0 >60 [1524] ≤120 [3048] = +4 [102] / -0 >120 [3048] ≤300 [7620] = +6 [152] / -0 >300 [7620] = +5% / -0%	APPROVALS	DATE	 45 BEECHWOOD DRIVE NORTH ANDOVER, MA 01845
	DRAWN BY D. CASTRO	1/16/15	
ALL OTHER DIMENSIONAL TOLERANCES: .X = ± .2 [5.08] .XX = ± .02 [1.51] .XXX = ±.005 [1.13]	CHECKED BY D. GUITADAURO	1/16/15	CATEGORY TELECOM/MODULAR
	APPROVED BY D. GALLAHER	1/16/15	
PROJECTION 	CONFIGURATION DETAILS OF UNDIMENSIONED FEATURES MAY VARY	PRODUCT DESCRIPTION CBL RJ45/RJ45 CAT5e SHLD	
COLOR VARIATIONS MAY OCCUR	SIZE A	FSCM NO. 43321	DWG. NO. TRD855SCR-250
SCALE: NONE		CAD FILE: TRD855SCR-250.SLDDRW	REV. A
SHEET 1 OF 1			