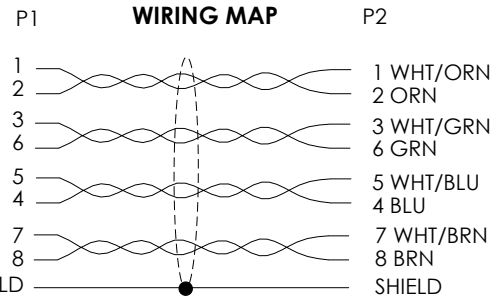
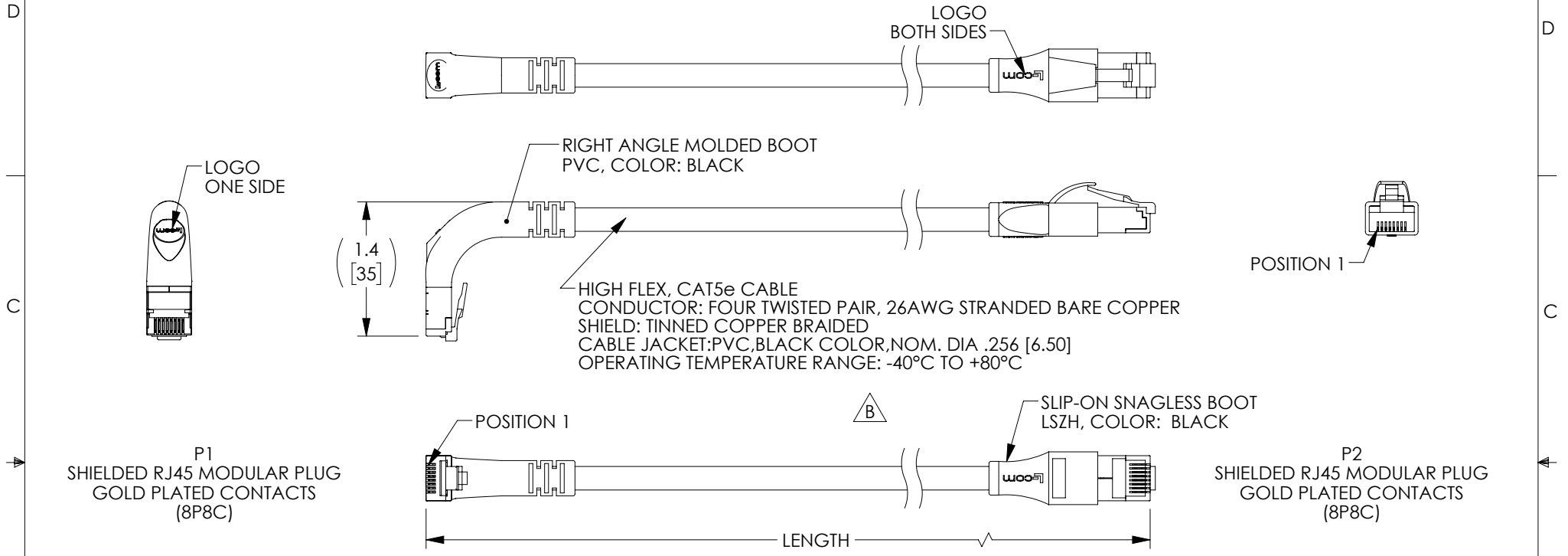


THE INFORMATION CONTAINED IN THIS DRAWING IS THE SOLE PROPERTY OF L-COM, INC. ANY REPRODUCTION IN PART OR WHOLE WITHOUT THE WRITTEN PERMISSION OF L-COM, INC. IS PROHIBITED.

REVISIONS			
REV	DESCRIPTION	DATE	APPROVED
A	REV A DRAWING RELEASED	02/28/2018	DGUTTADAUR
B	ECN 9794:CBL JACKET CHANGED TO PVC,BLACK,OD WAS 5.8 MM,REM RoHS	04/24/2019	DGUTTADAUR



PART NUMBER	LENGTH	
	FEET	METERS
TRD855SRA1DBL-05M	1.64	0.5
TRD855SRA1DBL-1M	3.28	1.0
TRD855SRA1DBL-2M	6.56	2.0
TRD855SRA1DBL-3M	9.84	3.0
TRD855SRA1DBL-4M	13.12	4.0
TRD855SRA1DBL-5M	16.41	5.0
TRD855SRA1DBL-10M	32.82	10.0

NOTES:

1. PLUG CONFORMS TO TIA-1096
2. CABLE ASSEMBLY SHALL BE TESTED FOR CONTINUITY.
3. CABLE ASSEMBLY SHALL BE INDIVIDUALLY PACKAGED IN ACCORDANCE WITH L-COM SPECIFICATION PS-0031.

UNLESS OTHERWISE SPECIFIED, DIMENSIONS ARE IN INCHES [mm] OVERALL CABLE LENGTH TOLERANCE: ≤ 12 [305] = +1 [25] / -0 >12 [305] ≤ 60 [1524] = +2 [51] / -0 >60 [1524] ≤ 120 [3048] = +4 [102] / -0 >120 [3048] ≤ 300 [7620] = +6 [152] / -0 >300 [7620] = +5% / -0% ALL OTHER DIMENSIONAL TOLERANCES: .X = ± .2 [5.08] .XX = ± .02 [5.1] .XXX = ± .005 [1.3]	APPROVALS DRAWN BY DCUI CHECKED BY SLI APPROVED BY SPAN	DATE 02/03/2018 02/03/2018 02/03/2018	50 HIGH STREET NORTH ANDOVER, MA 01845	
	CONFIGURATION DETAILS OF UNDIMENSIONED FEATURES MAY VARY			CATEGORY TELECOM/MODULAR
	PROJECTION 			PRODUCT DESCRIPTION C5e RJ45 S/UTP STR-DWN 26STR PVC HIFLX BLK
	COLOR VARIATIONS MAY OCCUR	SIZE A		FSCM NO. 43321
SCALE: NONE		CAD FILE: TRD855SRA1DBL.SLDDRW	REV. B	