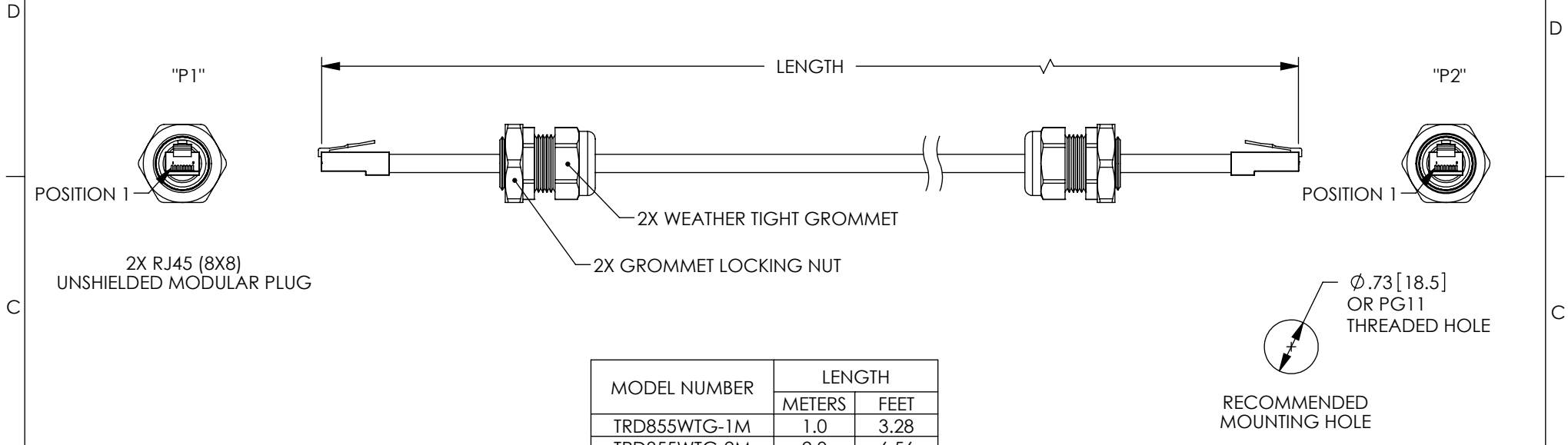


THE INFORMATION CONTAINED IN THIS DRAWING IS THE SOLE PROPERTY OF L-COM, INC. ANY REPRODUCTION IN PART OR WHOLE WITHOUT THE WRITTEN PERMISSION OF L-COM, INC. IS PROHIBITED.

RoHS Compliant ✓

REVISIONS			
REV	DESCRIPTION	DATE	APPROVED
A	INITIAL RELEASE	10/25/12	D.GRIFFIN



MODEL NUMBER	LENGTH	
	METERS	FEET
TRD855WTG-1M	1.0	3.28
TRD855WTG-2M	2.0	6.56
TRD855WTG-3M	3.0	9.84
TRD855WTG-4M	4.0	13.12
TRD855WTG-5M	5.0	16.41
TRD855WTG-7M	7.0	22.97
TRD855WTG-10M	10.0	32.81
TRD855WTG-15M	15.0	49.22
TRD855WTG-20M	20.0	65.62
TRD855WTG-25M	25.0	82.03
TRD855WTG-30M	30.0	98.43
TRD855WTG-40M	40.0	131.24
TRD855WTG-50M	50.0	164.05

NOTES:

MATERIAL:

PLUG HOUSING: POLYCARBONATE, CLEAR, UL94V-0
 CONTACTS: PHOSPHOR BRONZE
 CABLE JACKET: POLYETHYLENE, BLACK
 GROMMET: NYLON 6/6, BLACK
 LOCKING NUT: NYLON 6/6, BLACK

FINISH:

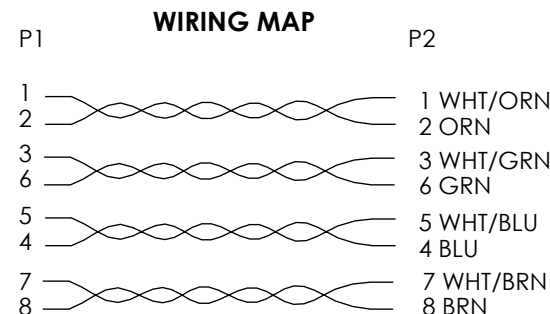
CONTACTS: 50 μ INCHES GOLD IN CONTACT AREA
 OVER 100 μ INCHES NICKEL PLATE OVERALL.

CABLE CHARACTERISTICS:

CAT 5E, GEL FILLED, AERIAL LASHED
 UNSHIELDED FOUR TWISTED PAIRS MODULAR CORD,
 24 AWG SOLID COPPER CONDUCTORS
 UV RESISTANT JACKET
 MINIMUM BENDING RADIUS: 2.5 in [64mm]

MISCELLANEOUS:

LENGTHS OVER 10 METERS (32.8 FT) ARE CHANNEL RATED.
 OPERATING TEMPERATURE RANGE: -40°C TO +60°C.
 CABLE ASSEMBLY TO BE TESTED FOR CONTINUITY.
 CABLE ASSEMBLY TO BE INDIVIDUALLY PACKAGED IN
 ACCORDANCE WITH L-COM SPECIFICATION PS-0031.



UNLESS OTHERWISE SPECIFIED, DIMENSIONS ARE IN INCHES [mm] OVERALL CABLE LENGTH TOLERANCE: ≤12 [305] = +1 [25] / -0 >12 [305] ≤60 [1524] = +2 [51] / -0 >60 [1524] ≤120 [3048] = +4 [102] / -0 >120 [3048] ≤300 [7620] = +6 [152] / -0 >300 [7620] = +3% / -0%	APPROVALS	DATE	L-com Global Connectivity 45 BEECHWOOD DRIVE NORTH ANDOVER, MA 01845
	DRAWN BY D.FRISIELLO	10/25/12	
ALL OTHER DIMENSIONAL TOLERANCES: .X = ±.2 .XX = ±.02 .XXX = ±.005	CHECKED BY D.GUITADAURO	10/25/12	CATEGORY TELECOM/MODULAR
	APPROVED BY M.MARTINEZ	10/25/12	PRODUCT DESCRIPTION CA C5E OSP UTP BLK GRMT
PROJECTION 	CONFIGURATION DETAILS OF UNDIMENSIONED FEATURES MAY VARY	COLOR VARIATIONS MAY OCCUR	SIZE A
			FSCM NO. 43321
			DWG. NO. TRD855WTG-M
			REV. A
			SCALE: NONE
			CAD FILE: TRD855WTG-M.SLDDRW
			SHEET 1 OF 1