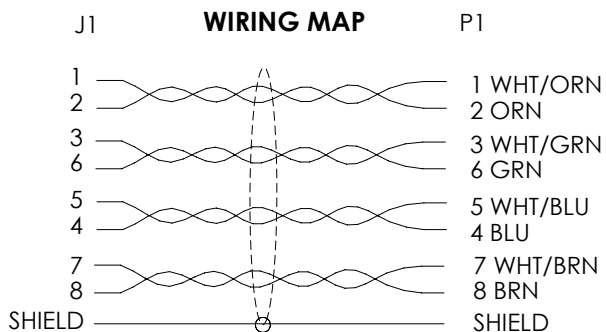
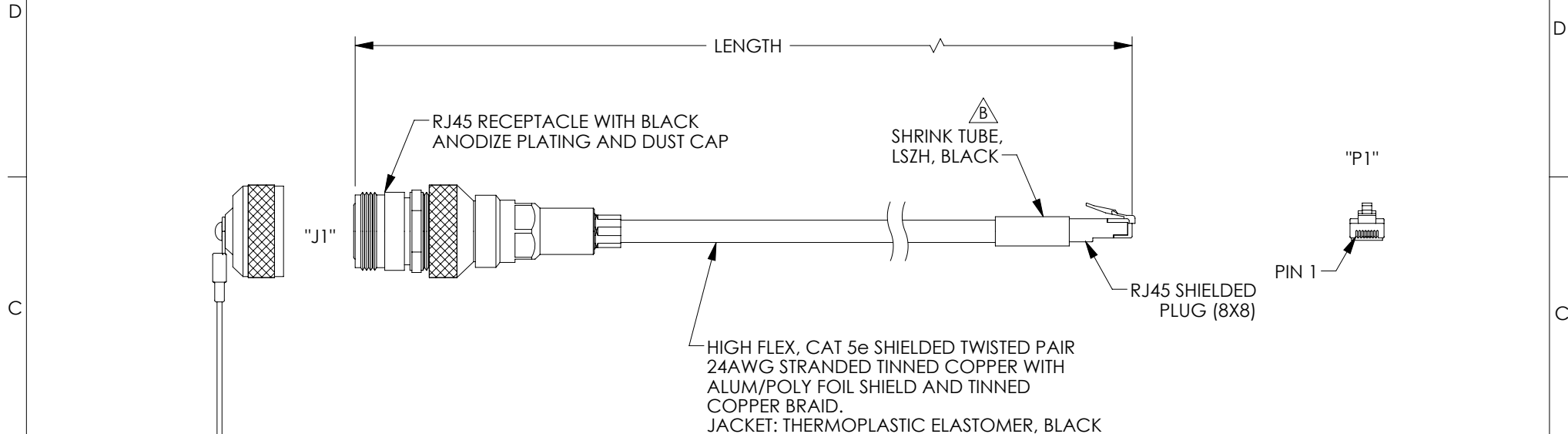


THE INFORMATION CONTAINED IN THIS DRAWING IS THE SOLE PROPERTY OF L-COM, INC. ANY REPRODUCTION IN PART OR WHOLE WITHOUT THE WRITTEN PERMISSION OF L-COM, INC. IS PROHIBITED.

REVISIONS			
REV	DESCRIPTION	DATE	APPROVED
A	INITIAL RELEASE	01/03/2012	DFRISIELLO
B	ECN 9515 ADDED SHRINK TUBE	11/19/2018	BPUCHASKI



MODEL NUMBER	LENGTH METERS [FEET]
TRD8RG8-01	1.0 [3.28]
TRD8RG8-02	2.0 [6.56]
TRD8RG8-03	3.0 [9.84]
TRD8RG8-05	5.0 [16.41]
TRD8RG8-10	10.0 [32.81]

**NOTES:**

CABLE ASSEMBLY SHALL BE TESTED FOR CONTINUITY.

CABLE ASSEMBLY SHALL BE INDIVIDUALLY PACKAGED IN ACCORDANCE WITH L-COM SPECIFICATION PS-0031.

PRODUCT IS NOT RoHS COMPLIANT WHEN ZINC/NICKEL PLATING IS PRESENT.

UNLESS OTHERWISE SPECIFIED, DIMENSIONS ARE IN INCHES [mm] OVERALL CABLE LENGTH TOLERANCE: ≤12 [305] = +1 [25] / -0 >12 [305] ≤60 [1524] = +2 [51] / -0 >60 [1524] ≤120 [3048] = +4 [102] / -0 >120 [3048] ≤300 [7620] = +6 [152] / -0 >300 [7620] = +5% / -0%	APPROVALS	DATE		50 HIGH STREET NORTH ANDOVER, MA 01845
	DRAWN BY DFRISIELLO	11/29/2012		CATEGORY
ALL OTHER DIMENSIONAL TOLERANCES: .X = ± .2 [5.08] .XX = ± .02 [1.51] .XXX = ± .005 [1.13]	CHECKED BY DGUTTADAUR	11/29/2012	PRODUCT DESCRIPTION	
PROJECTION	APPROVED BY D.GALLAGHER	11/29/2012	IP68 RGRJ45J RJ45P ANOD TPE	
	CONFIGURATION DETAILS OF UNDIMENSIONED FEATURES MAY VARY	COLOR VARIATIONS MAY OCCUR	SIZE <b>A</b>	FSCM NO. <b>43321</b>
			DWG. NO. TRD8RG8	REV. <b>B</b>
			SCALE: NONE	CAD FILE: TRD8RG8.SLDDRW
				SHEET 1 OF 1