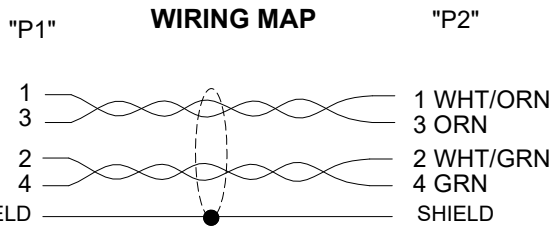
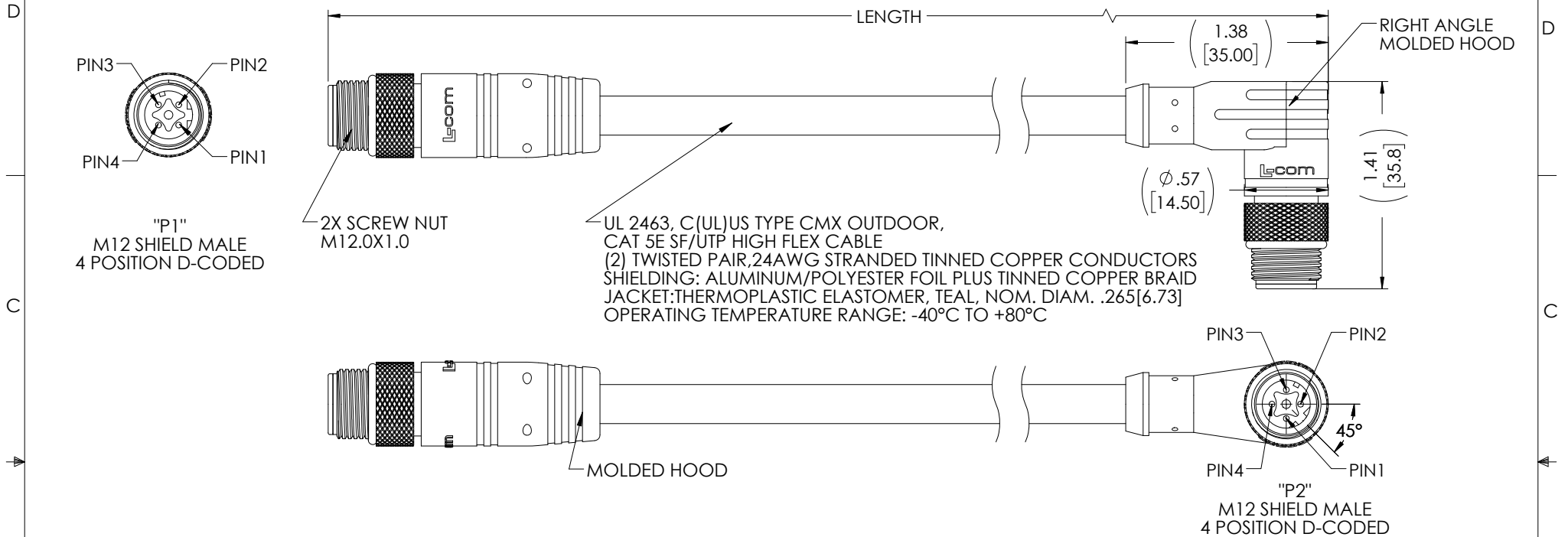


THE INFORMATION CONTAINED IN THIS DRAWING IS THE SOLE PROPERTY OF L-COM, INC. ANY REPRODUCTION IN PART OR WHOLE WITHOUT THE WRITTEN PERMISSION OF L-COM, INC. IS PROHIBITED.

REVISIONS			
REV	DESCRIPTION	DATE	APPROVED
A	CN INITIAL RELEASE	04/28/18	D.CUI



PART NUMBER	LENGTH	
	FEET	METERS
TRG507-T4T-05M	1.64	0.5
TRG507-T4T-1M	3.28	1.0
TRG507-T4T-2M	6.56	2.0
TRG507-T4T-3M	9.84	3.0
TRG507-T4T-5M	16.40	5.0
TRG507-T4T-10M	32.80	10.0
TRG507-T4T-15M	49.20	15.0

NOTES

MATERIAL:
MOLDED HOOD: THERMOPLASTIC POLYURETHANE, BLACK
INSULATOR: NYLON, BLACK
SHELL/SCREW NUT: BRASS, NICKEL PLATED
CONTACTS: PHOSPHOR BRONZE, 15µ" MIN. GOLD PLATED

ELECTRICAL:
NOMINAL VOLTAGE RATING: 250 VAC/VDC
MAX CURRENT: 4A

APPLICATION:
INGRESS PROTECTION RATING IS IP67 (MATED).

ENVIRONMENTAL:
CABLE JACKET RESISTANCE: OIL, SUNLIGHT, AND WELD SPLATTER RESISTANT

MISCELLANEOUS
CABLE ASSEMBLIES TO BE TESTED FOR CONTINUITY
CABLE ASSEMBLY SHALL BE INDIVIDUALLY PACKAGED IN ACCORDANCE WITH L-COM SPECIFICATION PS-0031.

REGULATORY COMPLIANCE:
CE2011/65/EU (RoHS DIRECTIVE)

UNLESS OTHERWISE SPECIFIED, DIMENSIONS ARE IN INCHES [mm] OVERALL CABLE LENGTH TOLERANCE: ≤12 [305] = +1 [25] / -0 >12 [305] ≤60 [1524] = +2 [51] / -0 >60 [1524] ≤120 [3048] = +4 [102] / -0 >120 [3048] ≤300 [7620] = +6 [152] / -0 >300 [7620] = +5% / -0% ALL OTHER DIMENSIONAL TOLERANCES: .X = ± .2 [5.08] .XX = ± .02 [51] .XXX = ± .005 [1.3]	APPROVALS DRAWN BY D.CUI CHECKED BY S.PAN APPROVED BY D.GUITADAURO	DATE 12/26/17 12/26/17 12/26/17	L-com Global Connectivity 50 HIGH STREET NORTH ANDOVER, MA 01845	
	CONFIGURATION DETAILS OF UNDIMENSIONED FEATURES MAY VARY		CATEGORY TELECOM/MODULAR	
	COLOR VARIATIONS MAY OCCUR		PRODUCT DESCRIPTION C5E M12D RAM/M TPE 24 TEL	
	PROJECTION 	REF	SIZE A	FSCM NO. 43321

SCALE: NONE | CAD FILE: TRG507-T4T.SLDDRW | SHEET 1 OF 1