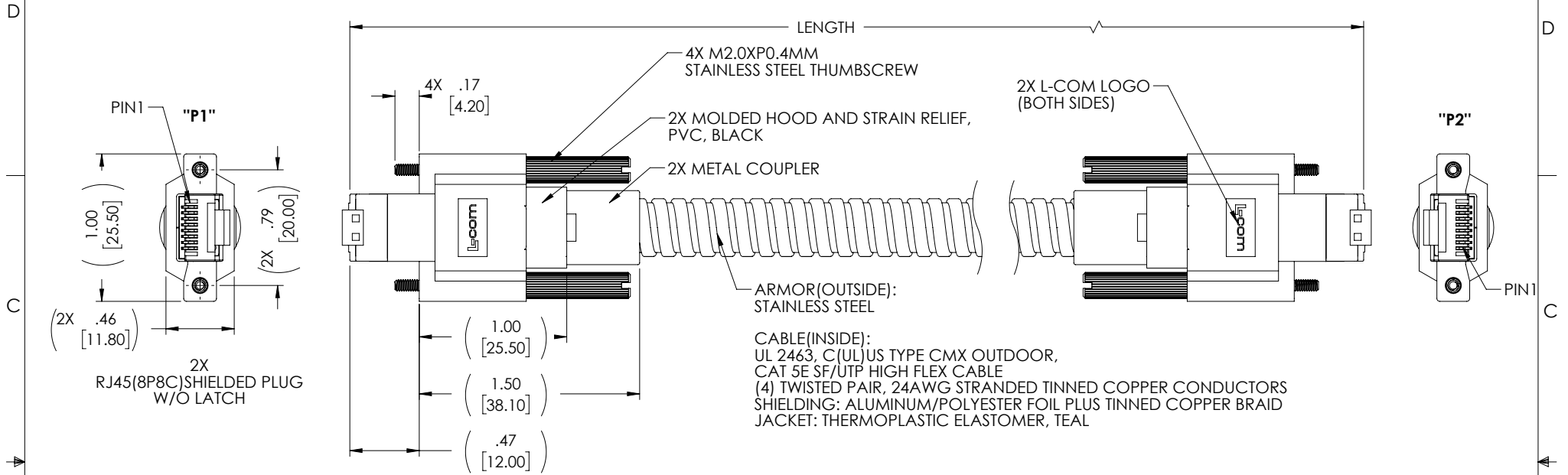


THE INFORMATION CONTAINED IN THIS DRAWING IS THE SOLE PROPERTY OF L-COM, INC. ANY REPRODUCTION IN PART OR WHOLE WITHOUT THE WRITTEN PERMISSION OF L-COM, INC. IS PROHIBITED.

REVISIONS			
REV	DESCRIPTION	DATE	APPROVED
A	INITIAL RELEASE	5/16/16	D.GRIFFIN
B	ECN 10960: CORRECT MODEL REFERENCE IN DRAWING, UPDATE DRAWING FORMAT	02/05/2021	GUTTA DAURO



NOTES

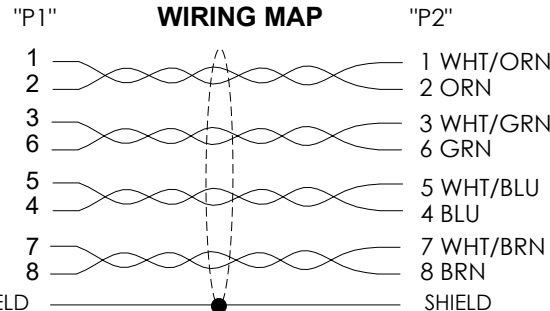
MATERIAL:
 RJ45 HOUSING: POLYCARBONATE, CLEAR UL96V-0
 RJ45 SHIELD/STRAIN RELIEF: BRASS, 100µ" MIN. NICKEL PLATE
 RJ45 CONTACTS: PHOSPHOR BRONZE, 50µ" MIN. GOLD PLATE IN CONTACT AREA OVER 100µ" MIN. NICKEL PLATE OVERALL
 ARMOR COUPLER: BRASS, NICKEL PLATE

ELECTRICAL:
 NOMINAL VOLTAGE RATING: 125 VAC/VDC
 MAX CURRENT: 1.5A


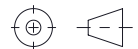
APPLICATION:
 METAL ARMOR CRUSH RESISTANCE: 1500 PSI (MIN).

ENVIRONMENTAL:
 OPERATING TEMPERATURE RANGE: -10°C TO +60°C
 CABLE JACKET RESISTANCE: OIL, SUNLIGHT, AND WELD SPLATTER RESISTANT

MISCELLANEOUS
 CABLE ASSEMBLIES TO BE TESTED FOR CONTINUITY
 CABLE ASSEMBLY SHALL BE INDIVIDUALLY PACKAGED IN ACCORDANCE WITH L-COM SPECIFICATION PS-0031.



PART NUMBER	LENGTH	
	FEET	METERS
TRG513-T4S-1M	3.28	1.0
TRG513-T4S-2M	6.56	2.0
TRG513-T4S-3M	9.84	3.0
TRG513-T4S-5M	16.41	5.0
TRG513-T4S-10M	32.8	10.0

UNLESS OTHERWISE SPECIFIED, DIMENSIONS ARE IN INCHES [mm] OVERALL CABLE LENGTH TOLERANCE: ≤12 [305] = +1 [25] / -0 >12 [305] ≤60 [1524] = +2 [51] / -0 >60 [1524] ≤120 [3048] = +4 [102] / -0 >120 [3048] ≤300 [7620] = +6 [152] / -0 >300 [7620] = +5% / -0 ALL OTHER DIMENSIONAL TOLERANCES: .X = ± .2 [5] FRACTIONS ± 1/32 .XX = ± .02 [.5] ANGLES ± 1° .XXX = ± .005 [.13]	APPROVALS	DATE	 50 High Street, West Mill, North Andover, MA 01845 USA. Phone: 1.800.341.5266 1.978.682.6936				
	DRAWN BY D.CUI	02/24/16					
CHECKED BY D. DESJARDIN	03/10/16	CATEGORY TELECOM/MODULAR					
APPROVED BY D. GUTTA DAURO	03/10/16	PRODUCT DESCRIPTION C5E GigE-GigE TPE 24 MTL					
THIRD-ANGLE PROJECTION 	CONFIGURATION DETAILS OF UNDIMENSIONED FEATURES MAY VARY	COLOR VARIATIONS MAY OCCUR	<table border="0"> <tr> <td>SIZE A</td> <td>CAGE CODE 43321</td> <td>ITEM NO. TRG513-T4S</td> <td>REV. B</td> </tr> </table>	SIZE A	CAGE CODE 43321	ITEM NO. TRG513-T4S	REV. B
SIZE A	CAGE CODE 43321	ITEM NO. TRG513-T4S	REV. B				
REF	SCALE: NONE	CAD FILE: TRG513-T4S.SLDDRW	SHEET 1 OF 1				