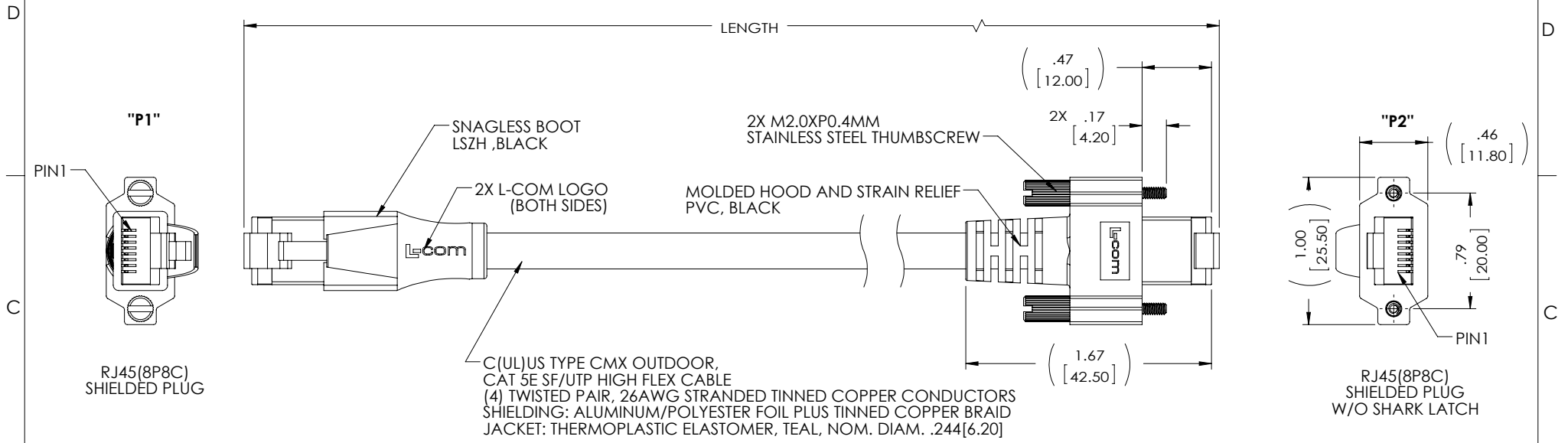


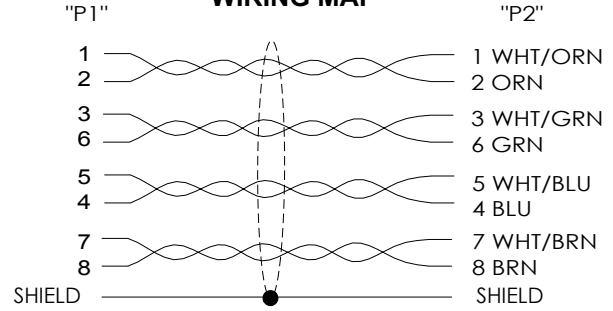
THE INFORMATION CONTAINED IN THIS DRAWING IS THE SOLE PROPERTY OF L-COM, INC. ANY REPRODUCTION IN PART OR WHOLE WITHOUT THE WRITTEN PERMISSION OF L-COM, INC. IS PROHIBITED.

REVISIONS			
REV	DESCRIPTION	DATE	APPROVED
A	INITIAL RELEASE	5/16/16	D.GRIFFIN



C(UL)US TYPE CMX OUTDOOR, CAT 5E SF/UTP HIGH FLEX CABLE (4) TWISTED PAIR, 26AWG STRANDED TINNED COPPER CONDUCTORS SHIELDING: ALUMINUM/POLYESTER FOIL PLUS TINNED COPPER BRAID JACKET: THERMOPLASTIC ELASTOMER, TEAL, NOM. DIAM. .244[6.20]

WIRING MAP



PART NUMBER	LENGTH	
	FEET	METERS
TRG514-T6T-1M	3.28	1.0
TRG514-T6T-2M	6.56	2.0
TRG514-T6T-3M	9.84	3.0
TRG514-T6T-5M	16.41	5.0
TRG514-T6T-10M	32.82	10.0

NOTES

MATERIAL:
 RJ45 HOUSING: POLYCARBONATE, CLEAR UL96V-0
 RJ45 SHIELD/STRAIN RELIEF: BRASS, 100µ" MIN. NICKEL PLATE
 RJ45 CONTACTS: PHOSPHOR BRONZE, 50µ" MIN. GOLD PLATE IN CONTACT AREA OVER 100µ" MIN. NICKEL PLATE OVERALL

ELECTRICAL:
 NOMINAL VOLTAGE RATING: 125 VAC/VDC
 MAX CURRENT: 1.5A

ENVIRONMENTAL:
 OPERATING TEMPERATURE RANGE: -10°C TO +60°C
 CABLE JACKET RESISTANCE: OIL, SUNLIGHT, AND WELD SPLATTER RESISTANT

MISCELLANEOUS
 CABLE ASSEMBLIES TO BE TESTED FOR CONTINUITY
 CABLE ASSEMBLY SHALL BE INDIVIDUALLY PACKAGED IN ACCORDANCE WITH L-COM SPECIFICATION PS-0031.

REGULATORY COMPLIANCE:
 CE2011/65/EU(RoHS DIRECTIVE)

UNLESS OTHERWISE SPECIFIED, DIMENSIONS ARE IN INCHES [mm] OVERALL CABLE LENGTH TOLERANCE: ≤12 [305] = +1 [25] / -0 >12 [305] ≤60 [1524] = +2 [51] / -0 >60 [1524] ≤120 [3048] = +4 [102] / -0 >120 [3048] ≤300 [7620] = +6 [152] / -0 >300 [7620] = +3% / -0% ALL OTHER DIMENSIONAL TOLERANCES: .X = ±.2 [5.08] .XX = ±.02 [5.1] .XXX = ±.005 [1.3]	APPROVALS DRAWN BY D.CUI	DATE 02/24/16		50 HIGH STREET NORTH ANDOVER, MA 01845					
	CHECKED BY D. DESJARDIN	03/10/16		CATEGORY TELECOM/MODULAR					
	APPROVED BY D. GUTSDAURO	03/10/16	PRODUCT DESCRIPTION C5E GigE-RJ45 TPE 26 TEL						
	PROJECTION 	CONFIGURATION DETAILS OF UNDIMENSIONED FEATURES MAY VARY	COLOR VARIATIONS MAY OCCUR	SIZE A	FSCM NO. 43321	DWG. NO. TRG514-T6T	REF	SCALE: NONE	CAD FILE: TRG514-T6T.SLDDRW