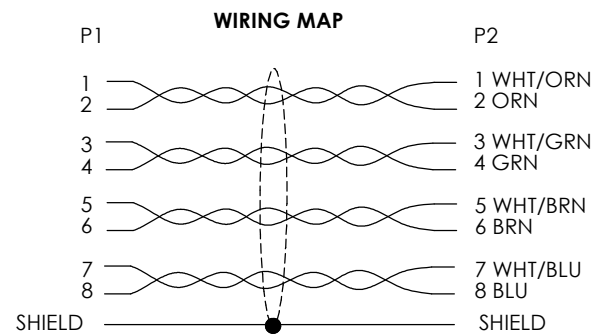
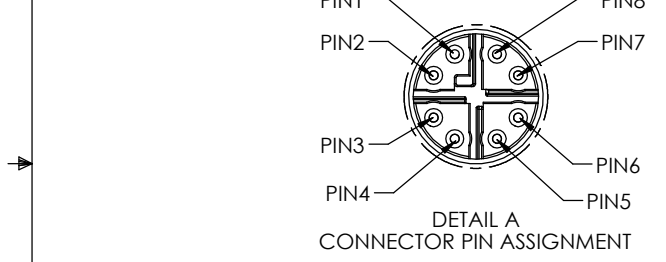
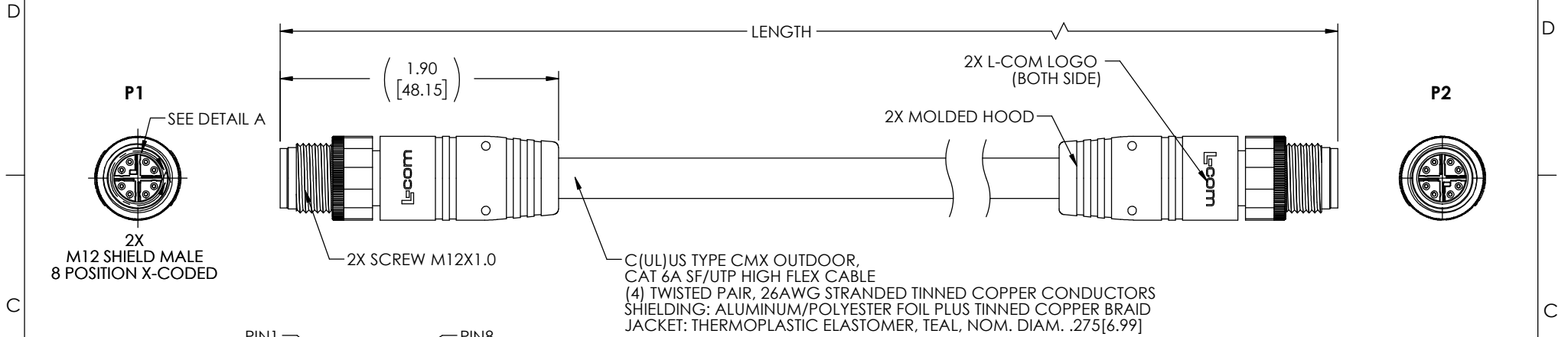


THE INFORMATION CONTAINED IN THIS DRAWING IS THE SOLE PROPERTY OF L-COM, INC. ANY REPRODUCTION IN PART OR WHOLE WITHOUT THE WRITTEN PERMISSION OF L-COM, INC. IS PROHIBITED.

REVISIONS			
REV	DESCRIPTION	DATE	APPROVED
A	INITIAL RELEASE	06/23/16	D.GRIFFIN
B	ECN 8810:CHANGED IP RATING TO IP67 , MOLDED HOOD ADD 4 LOCATION HOLES	06/08/17	DCUI
C	ECN 11467: ADD 05M & 15M LENGTH TO TABLE AND FLEX LIFE TO ENVIRONMENTAL NOTE	10/27/21	GUTTADAURO



PARTNUMBER	LENGTH	
	FEET	METERS
TRG607-T6T-05M	1.64	0.5
TRG607-T6T-1M	3.28	1.0
TRG607-T6T-2M	6.56	2.0
TRG607-T6T-3M	9.84	3.0
TRG607-T6T-5M	16.41	5.0
TRG607-T6T-10M	32.82	10.0
TRG607-T6T-15M	49.22	15.0

NOTES
MATERIAL:
 MOLDED HOOD: THERMOPLASTIC POLYURETHANE, BLACK
 INSULATOR: NYLON, BLACK
 SHELL/SCREW NUT: BRASS, NICKEL PLATE
 CONTACTS: PHOSPHOR BRONZE, 15" MIN. GOLD PLATE

ELECTRICAL:
 NOMINAL VOLTAGE RATING: 48 VAC/VDC
 MAX CURRENT: 0.5A

APPLICATION:
 INGRESS PROTECTION RATING IS IP67 (MATED).

ENVIRONMENTAL:
 OPERATING TEMPERATURE RANGE: -40°C TO +75°C
 CABLE JACKET RESISTANCE: OIL, SUNLIGHT, AND WELD SPLATTER RESISTANT
 CABLE FLEX LIFE: 1 MILLION CYCLE TEST (10X CABLE OD)
 10 MILLION CYCLE TEST (20X CABLE OD)

MISCELLANEOUS
 CABLE ASSEMBLIES TO BE TESTED FOR CONTINUITY
 WIRED TO IEC 61076-2-109 STANDARDS
 CABLE ASSEMBLY SHALL BE INDIVIDUALLY PACKAGED IN
 ACCORDANCE WITH L-COM SPECIFICATION PS-0031.

UNLESS OTHERWISE SPECIFIED, DIMENSIONS ARE IN INCHES [mm] OVERALL CABLE LENGTH TOLERANCE: ≤12 [305] = +1 [25] / -0 >12 [305] ≤60 [1524] = +2 [51] / -0 >60 [1524] ≤120 [3048] = +4 [102] / -0 >120 [3048] ≤300 [7620] = +6 [152] / -0 >300 [7620] = +5% / -0 ALL OTHER DIMENSIONAL TOLERANCES: .X = ± .2 [5] FRACTIONS ± 1/32 .XX = ± .02 [5] ANGLES ± 1° .XXX = ± .005 [13]	APPROVALS DCUI CHECKED BY D.DESJARDIN APPROVED BY GUTTADAURO	DATE 02/24/16 03/10/16 03/10/16	 an INFINIT® brand 50 High Street, West Mill, North Andover, MA 01845 USA. Phone: 1.800.341.5266 1.978.682.6936
	CONFIGURATION DETAILS OF UNDIMENSIONED FEATURES MAY VARY	COLOR VARIATIONS MAY OCCUR	
THIRD-ANGLE PROJECTION 	REF	PRODUCT DESCRIPTION C6A M12X M/M TPE 26 TEL	SIZE A
SCALE: NONE		CAGE CODE 43321	DWG. NO. TRG607-T6T
REF		CAD FILE: TRG607-T6T.SLDDRW	SHEET 1 OF 1