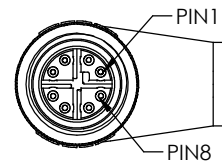
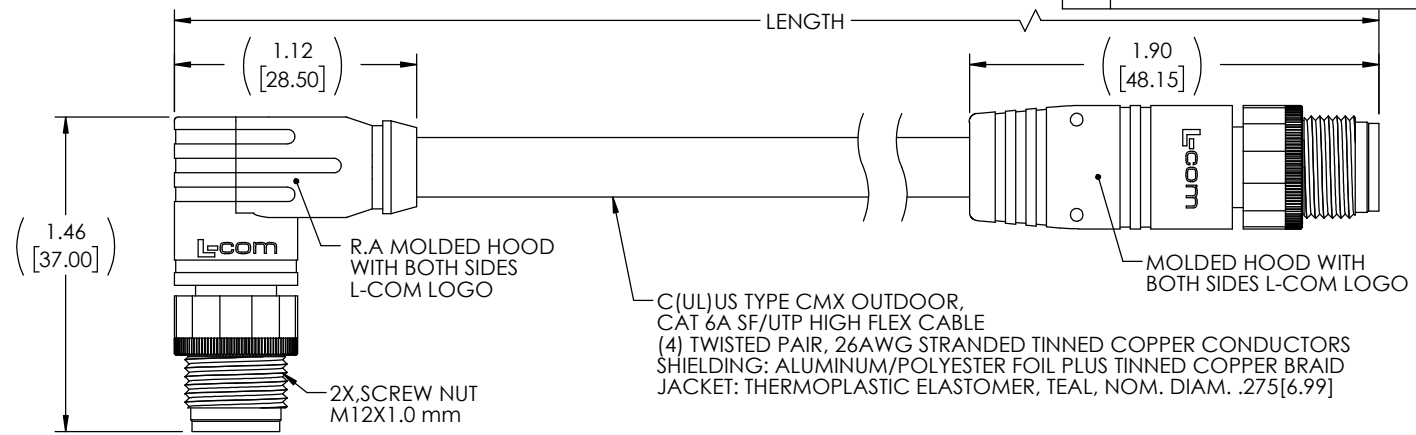
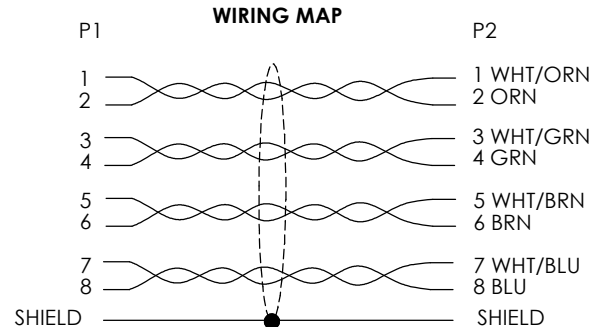
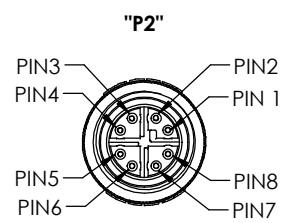


THE INFORMATION CONTAINED IN THIS DRAWING IS THE SOLE PROPERTY OF L-COM, INC. ANY REPRODUCTION IN PART OR WHOLE WITHOUT THE WRITTEN PERMISSION OF L-COM, INC. IS PROHIBITED.

REVISIONS			
REV	DESCRIPTION	DATE	APPROVED
A	INITIAL RELEASE	01/24/2022	DGUTTADAURO



"P1"
2X, M12 SHIELD MALE
8 POSITION X-CODED



PARTNUMBER	LENGTH	
	METERS	FEET
TRG612-T6T-05M	.5	1.64
TRG612-T6T-1M	1.0	3.28
TRG612-T6T-2M	2.0	6.56
TRG612-T6T-3M	3.0	9.84
TRG612-T6T-5M	5.0	16.41
TRG612-T6T-10M	10.0	32.81
TRG612-T6T-15M	15.0	49.22

NOTES

MATERIAL:
MOLDED HOOD: THERMOPLASTIC POLYURETHANE, BLACK
INSULATOR: NYLON, BLACK
SHELL/SCREW NUT: BRASS, NICKEL PLATE
CONTACTS: PHOSPHOR BRONZE, 15" MIN. GOLD PLATE

ELECTRICAL:
NOMINAL VOLTAGE RATING: 48 VAC/VDC
MAX CURRENT: 0.5A

APPLICATION:
INGRESS PROTECTION RATING IS IP67 (MATED).

ENVIRONMENTAL:
OPERATING TEMPERATURE RANGE: -40°C TO +75°C
CABLE JACKET RESISTANCE: OIL, SUNLIGHT, AND WELD SPLATTER RESISTANT
CABLE FLEX LIFE: 1 MILLION CYCLE TEST (10X CABLE OD)
10 MILLION CYCLE TEST (20X CABLE OD)

MISCELLANEOUS
CABLE ASSEMBLIES TO BE TESTED FOR CONTINUITY
WIRED TO IEC 61076-2-109 STANDARDS
CABLE ASSEMBLY SHALL BE INDIVIDUALLY PACKAGED IN ACCORDANCE WITH L-COM SPECIFICATION PS-0031.

UNLESS OTHERWISE SPECIFIED, DIMENSIONS ARE IN INCHES [mm] OVERALL CABLE LENGTH TOLERANCE: ≤12 [305] = +1 [25] / -0 >12 [305] ≤60 [1524] = +2 [51] / -0 >60 [1524] ≤120 [3048] = +4 [102] / -0 >120 [3048] ≤300 [7620] = +6 [152] / -0 >300 [7620] = +5% / -0 ALL OTHER DIMENSIONAL TOLERANCES: .X = ± .2 [5] FRACTIONS ± 1/32 .XX = ± .02 [5] ANGLES ± 1° .XXX = ± .005 [13]	APPROVALS	DATE	 50 High Street, West Mill, North Andover, MA 01845 USA. Phone: 1.800.341.5266 1.978.682.6936
	DRAWN BY BZHANG	10/12/2021	
THIRD-ANGLE PROJECTION 	CHECKED BY DGUTTADAURO	10/12/2021	CATEGORY TELECOM/MODULAR
	APPROVED BY DGUTTADAURO	10/12/2021	
CONFIGURATION DETAILS OF UNDIMENSIONED FEATURES MAY VARY	PRODUCT DESCRIPTION C6a M12 8PX SF/UTP IND-OD-HF, RAM12M/M12M		REF SCALE: NONE CAD FILE: TRG612-T6T.SLDDRW SHEET 1 OF 1
COLOR VARIATIONS MAY OCCUR	SIZE A	CAGE CODE 43321	