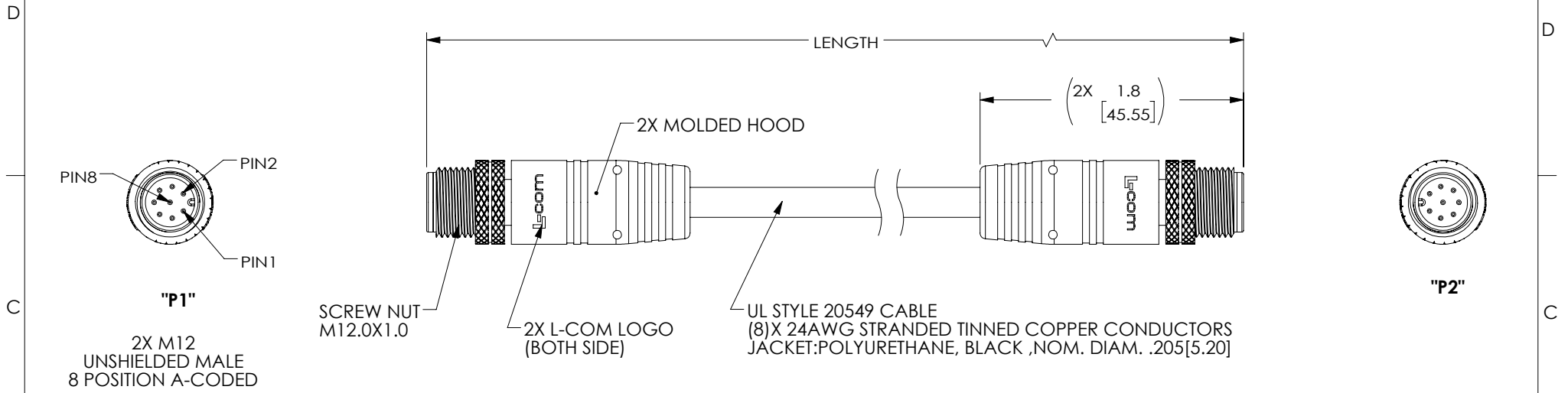


THE INFORMATION CONTAINED IN THIS DRAWING IS THE SOLE PROPERTY OF L-COM, INC. ANY REPRODUCTION IN PART OR WHOLE WITHOUT THE WRITTEN PERMISSION OF L-COM, INC. IS PROHIBITED.

REVISIONS			
REV	DESCRIPTION	DATE	APPROVED
A	REV A DRAWING RELEASED	04/18/2019	DGUTTADAUR
B	ECN 9877:CHANGED CBL JACKET FLAME RATING TO UL94V-0	05/21/19	DGUTTADAUR



**NOTES**

**MATERIAL:**  
 MOLDED HOOD:THERMOPLASTIC POLYURETHANE, BLACK  
 INSULATOR:TPU,BLACK  
 SCREW NUT:BRASS, NICKEL PLATE  
 CONTACTS:PHOSPHOR BRONZE, 15µ" MIN. GOLD PLATE

**ELECTRICAL:**  
 NOMINAL VOLTAGE RATING: 30 V AC/DC  
 MAX CURRENT: 2A

**APPLICATION:**  
 INGRESS PROTECTION RATING IS IP67 (MATED).

**ENVIRONMENTAL:**  
 OPERATING TEMPERATURE RANGE: -25°C TO +80°C  
 CABLE JACKET RESISTANCE: OIL, SUNLIGHT, AND CHEMICAL RESISTANT  
 CABLE JACKET FLAME RATING:UL94 V-0

**MISCELLANEOUS**  
 CABLE ASSEMBLIES TO BE TESTED FOR CONTINUITY  
 CABLE ASSEMBLY SHALL BE INDIVIDUALLY PACKAGED IN ACCORDANCE WITH L-COM SPECIFICATION PS-0031.

"P1"		WIRING MAP		"P2"	
1	_____	1	WHITE	1	WHITE
2	_____	2	BROWN	2	BROWN
3	_____	3	GREEN	3	GREEN
4	_____	4	YELLOW	4	YELLOW
5	_____	5	GRAY	5	GRAY
6	_____	6	PINK	6	PINK
7	_____	7	BLUE	7	BLUE
8	_____	8	RED	8	RED

PART NUMBER	LENGTH	
	FEET	METERS
TRG881-P4B-05M	1.64	0.5
TRG881-P4B-1M	3.28	1.0
TRG881-P4B-2M	6.56	2.0
TRG881-P4B-3M	9.84	3.0
TRG881-P4B-5M	16.41	5.0
TRG881-P4B-10M	32.82	10.0

UNLESS OTHERWISE SPECIFIED, DIMENSIONS ARE IN INCHES [mm] OVERALL CABLE LENGTH TOLERANCE: ≤12 [305] = +1 [25] / -0 >12 [305] ≤60 [1524] = +2 [51] / -0 >60 [1524] ≤120 [3048] = +4 [102] / -0 >120 [3048] ≤300 [7620] = +6 [152] / -0 >300 [7620] = +5% / -0% ALL OTHER DIMENSIONAL TOLERANCES: .X = ± .2 [5.08] .XX = ± .02 [ .51] .XXX = ±.005 [ .13]	APPROVALS DRAWN BY DCUI CHECKED BY SPAN APPROVED BY DGUTTADAUR	DATE 12/04/2018 12/04/2018 12/04/2018	50 HIGH STREET NORTH ANDOVER, MA 01845	
	CONFIGURATION DETAILS OF UNDIMENSIONED FEATURES MAY VARY		CATEGORY TELECOM/MODULAR	
	PROJECTION 	COLOR VARIATIONS MAY OCCUR	SIZE <b>A</b>	PRODUCT DESCRIPTION M12 8P A-CODE MALE/MALE UNSHIELDED 24AWG PUR JACKET BLK
	REF	FSCM NO. <b>43321</b>	DWG. NO. TRG881-P4B	REV. <b>B</b>

SCALE: NONE CAD FILE: TRG881-P4B.SLDDRW SHEET 1 OF 1