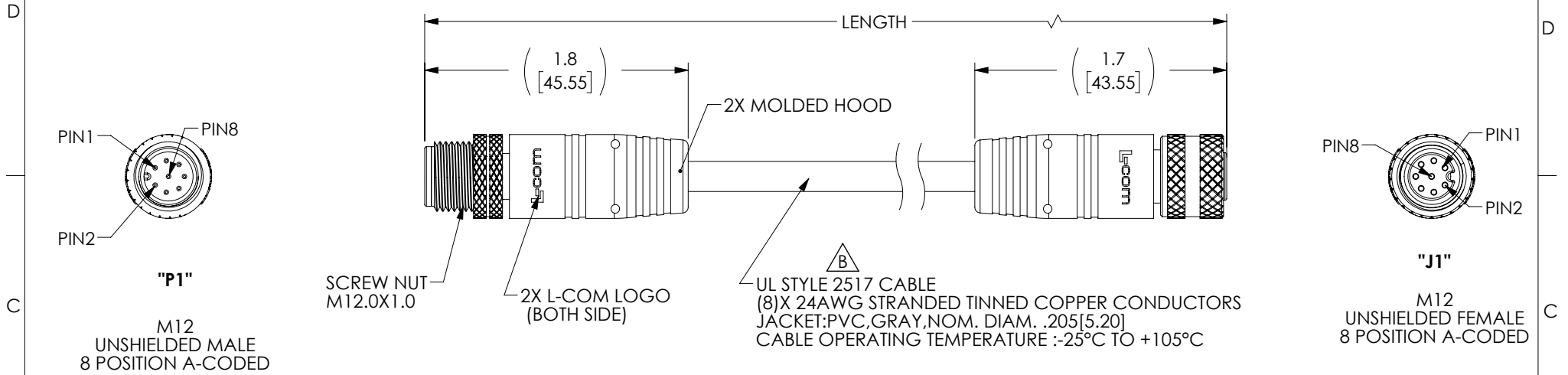


THE INFORMATION CONTAINED IN THIS DRAWING IS THE SOLE PROPERTY OF L-COM, INC. ANY REPRODUCTION IN PART OR WHOLE WITHOUT THE WRITTEN PERMISSION OF L-COM, INC. IS PROHIBITED.

REVISIONS			
REV	DESCRIPTION	DATE	APPROVED
A	REV A DRAWING RELEASED	04/18/2019	DGUTTADAUR
B	ECN 9810:CABLE FROM UL STYLE 20549 CHANGED TO UL STYLE 2517	04/22/2019	DGUTTADAUR



**NOTES**

**MATERIAL:**  
 MOLDED HOOD:PVC,BLACK,UL94 V-0,UV RESISTANCE  
 INSULATOR:TPU, BLACK  
 SCREW NUT:BRASS, NICKEL PLATE  
 CONTACTS:PHOSPHOR BRONZE,15µ" MIN. GOLD PLATE

**ELECTRICAL:**  
 NOMINAL VOLTAGE RATING:30 V AC/DC  
 MAX CURRENT:2A

**APPLICATION:**  
 INGRESS PROTECTION RATING IS IP67 (MATED).

**ENVIRONMENTAL:**  
 OPERATING TEMPERATURE RANGE: -25°C TO +80°C  
 CABLE JACKET RESISTANCE: SUNLIGHT,MOISTURE  
 CABLE JACKET FLAME RATING:VW-1

**MISCELLANEOUS**  
 CABLE ASSEMBLIES TO BE TESTED FOR CONTINUITY  
 CABLE ASSEMBLY SHALL BE INDIVIDUALLY PACKAGED IN ACCORDANCE WITH L-COM SPECIFICATION PS-0031.

"P1" WIRING MAP "J1"		
1	_____	1 WHITE
2	_____	2 BROWN
3	_____	3 GREEN
4	_____	4 YELLOW
5	_____	5 GRAY
6	_____	6 PINK
7	_____	7 BLUE
8	_____	8 RED

PART NUMBER	LENGTH	
	FEET	METERS
TRG883-C4G-05M	1.64	0.5
TRG883-C4G-1M	3.28	1.0
TRG883-C4G-2M	6.56	2.0
TRG883-C4G-3M	9.84	3.0
TRG883-C4G-5M	16.41	5.0
TRG883-C4G-10M	32.82	10.0

UNLESS OTHERWISE SPECIFIED, DIMENSIONS ARE IN INCHES [mm] OVERALL CABLE LENGTH TOLERANCE: ≤12 [305] = +1 [25] / -0 >12 [305] ≤60 [1524] = +2 [51] / -0 >60 [1524] ≤120 [3048] = +4 [102] / -0 >120 [3048] ≤300 [7620] = +6 [152] / -0 >300 [7620] = +5% / -0% ALL OTHER DIMENSIONAL TOLERANCES: .X = ± .2 [5.08] .XX = ± .02 [51] .XXX = ±.005 [13]	APPROVALS	DATE		50 HIGH STREET NORTH ANDOVER, MA 01845
	DRAWN BY DCUI	12/04/2018		CHECKED BY SPAN
PROJECTION 	CONFIGURATION DETAILS OF UNDIMENSIONED FEATURES MAY VARY	APPROVED BY DGUTTADAUR	12/04/2018	PRODUCT DESCRIPTION M12 8P A-CODE MALE/FEMALE UNSHIELDED 24AWG PVC JACKET GRAY
REF	COLOR VARIATIONS MAY OCCUR	SIZE <b>A</b>	FSCM NO. <b>43321</b>	DWG. NO. TRG883-C4G
SCALE: NONE			CAD FILE: TRG883-C4G.SLDDRW	SHEET 1 OF 1