

6

5

4

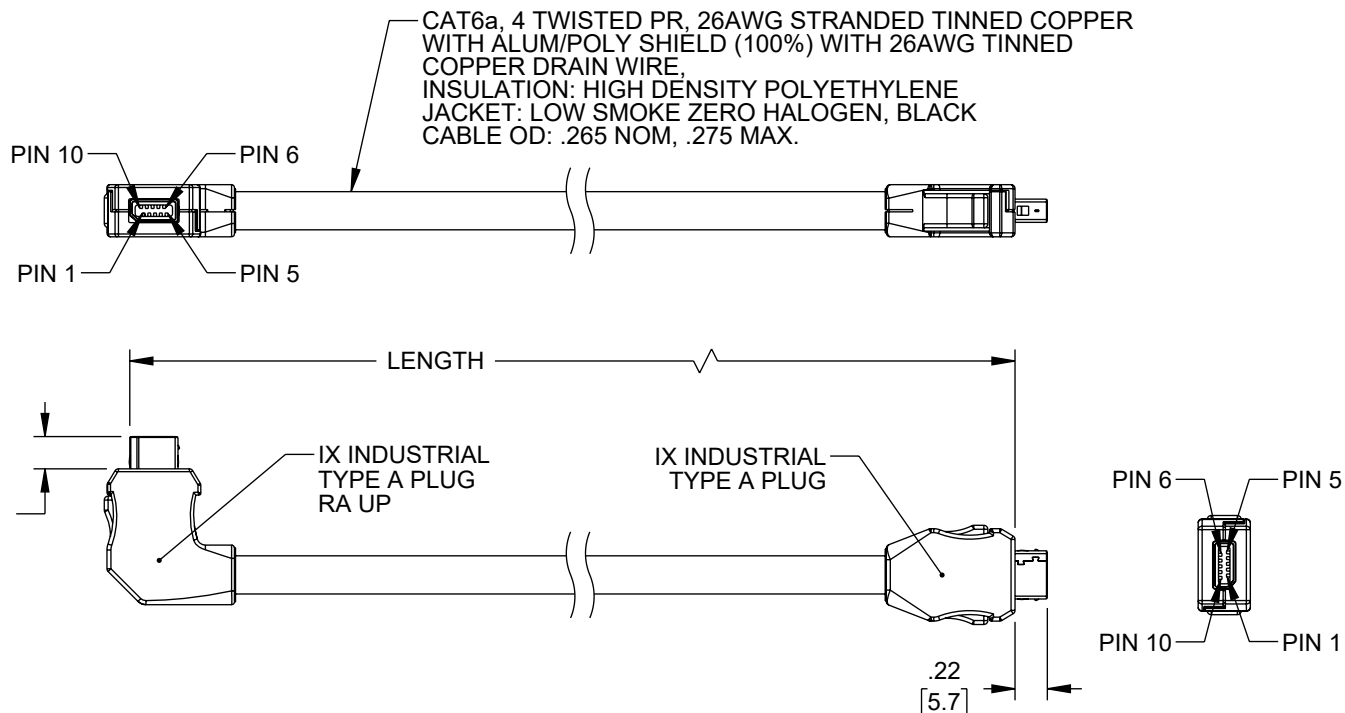
3

2

1

PIN #	COLOR	SIGNAL	
		10/100 MBIT/S	1/10 GBIT/S
1	ORN/WHT	TX+	BI_DA+
2	ORN	TX-	BI_DA-
3		NC	NC
4	BLU	NC	BI_DC+
5	BLU/WHT	NC	BI_DC-
6	GRN/WHT	RX+	BI_DB+
7	GRN	RX-	BI_DB-
8		NC	NC
9	BRN/WHT	NC	BI_DD+
10	BRN	NC	BI_DD-
SHIELD		SHELL	SHELL

REVISION					
ZONE	REV	DESCRIPTION	DATE	CHANGED BY	APPROVED
	A	INITIAL RELEASE	01/02/2024	DZINN	GUTTADAURO



NOTES:

CABLE CHARACTERISTICS:

TEMPERATURE RATING: -20°C TO +75°C

VOLTAGE RATING: 300 V

SHIELDED FLEXIBLE PATCH/JUMPER CABLE SUPPORTS SCREENED 568-D.2 CAT 6A APPLICATIONS.

RATINGS: FLAME: VW-1, CORROSIVE GAS: IEC 60754-2, SMOKE: IEC 61034-1 & -2.

NEC (ETL) CMX, CEC C(ETL) CMX.

1. NOMINAL VOLTAGE: 50 V AC/ 60 V DC.
2. IX CONNECTORS CONFORM TO IEC STANDARD 61076-3-124.
3. THIS PRODUCT (TYPE A) IS DEFINED FOR 10/100 MBIT/S AND 1/10 GBIT/S ETHERNET COMMUNICATION. PLEASE USE TYPE B FOR ALL OTHER NON ETHERNET APPLICATIONS LIKE SIGNALING, SERIAL OR OTHER INDUSTRIAL BUS COMMUNICATION SYSTEMS.
4. CABLE ASSEMBLY SHALL BE TESTED FOR CONTINUITY.
5. CABLE ASSEMBLY SHALL BE INDIVIDUALLY PACKAGED IAW L-COM PACKAGING SPECIFICATION PS-0031.

CABLE ASSY LENGTH		
ITEM NO.	METER	FEET
TRGIX607LZ-BLK-1M	1	3.28
TRGIX607LZ-BLK-3M	3	9.84

THE INFORMATION CONTAINED IN THIS DRAWING IS THE SOLE PROPERTY OF INFINITE ELECTRONICS, INC. ANY REPRODUCTION IN PART OR WHOLE WITHOUT THE WRITTEN PERMISSION OF INFINITE ELECTRONICS, INC. IS PROHIBITED. THESE COMMODITIES, TECHNOLOGY OR SOFTWARE WERE EXPORTED FROM THE UNITED STATES IN ACCORDANCE WITH THE EXPORT ADMINISTRATION REGULATIONS. DIVERSION CONTRARY TO U.S. LAW PROHIBITED.

LC LG Rev-D4 Asize

6

5

4

3

2

1

UNLESS OTHERWISE SPECIFIED
LEADING DIMENSIONS ARE INCHES
DIMENSIONS IN [] ARE MILLIMETERS

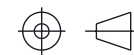
TOLERANCES:
 .X = ±.2 [5] FRACTIONS
 .XX = ±.02 [0.5] ± 1/32
 .XXX = ±.005 [0.13] ANGLES ± 1°

CABLE LENGTH TOLERANCES:
 ≤12 [305] = +1 [25] / -0
 >12 [305] ≤ 60 [1524] = +2 [51] / -0
 >60 [1524] ≤ 120 [3048] = +4 [102] / -0
 >120 [3048] ≤ 300 [7620] = +6 [152] / -0
 >300 [7620] = +5% / -0

ALL DIMENSIONS ARE FOR REFERENCE ONLY
AND SUBJECT TO CHANGE WITHOUT NOTICE
UN-DIMENSIONED/NON-CRITICAL FEATURES
MAY VARY IN SIZE AND LOCATION
COLORS MAY VARY

L-com
an INFINIT@ brand

Website: www.L-com.com
Phone: 1.800.341.5266 | 1.978.682.6936



INTERPRET ALL DIMENSIONS AND
TOLERANCES PER ASME Y14.5

SCALE	SHEET
NONE	1 OF 1

DESCRIPTION

RAUIXA-IXA, CAT6A SF/UTP CMX LSZH TPE BLK

SIZE	CAGE CODE	DRAWN BY	ITEM NO.	REV
A	43321	DZINN	TRGIX607LZ-BLK	A