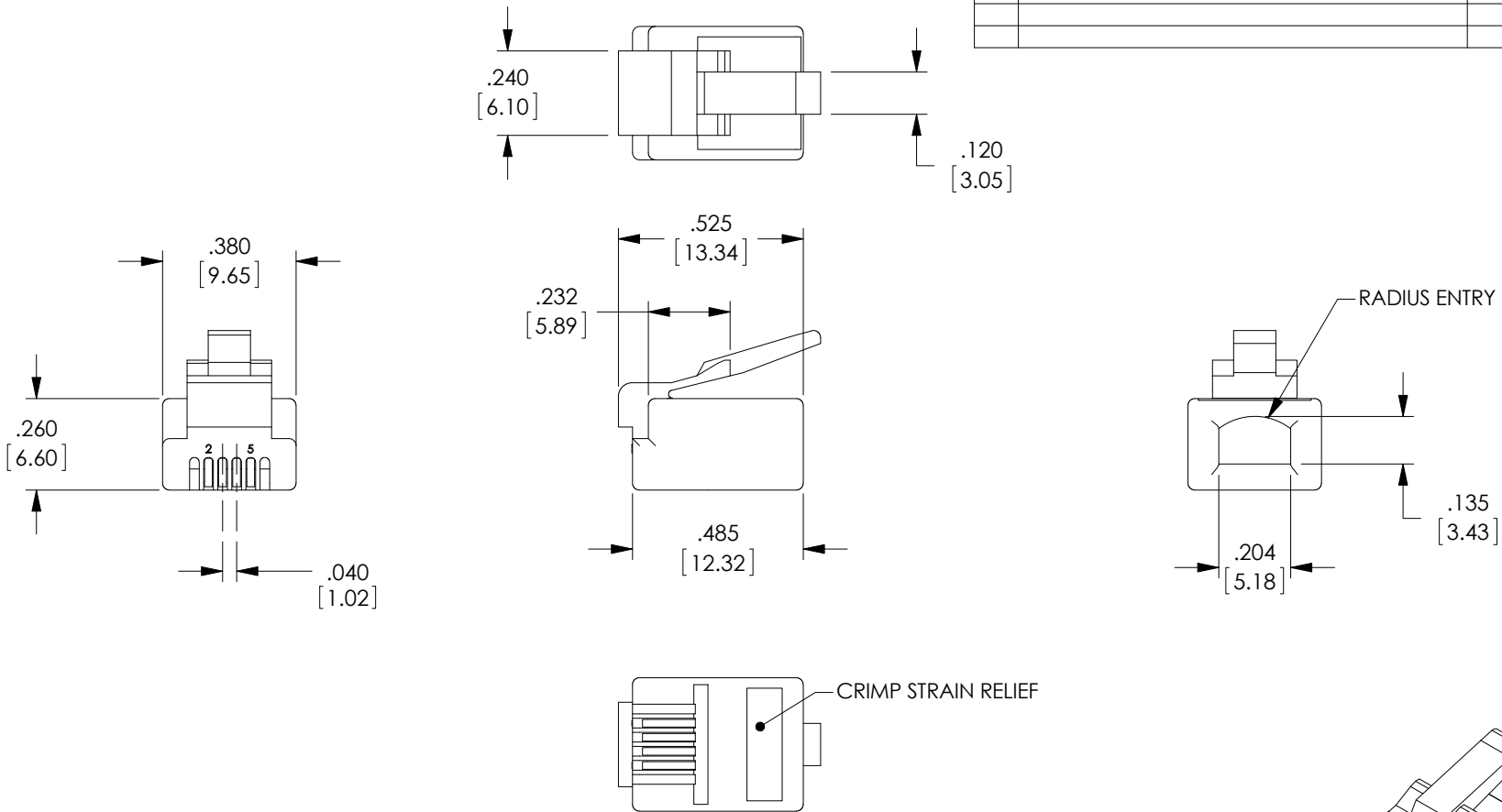


THE INFORMATION CONTAINED IN THIS DRAWING IS THE SOLE PROPERTY OF L-COM, INC. ANY REPRODUCTION IN PART OR WHOLE WITHOUT THE WRITTEN PERMISSION OF L-COM, INC. IS PROHIBITED.

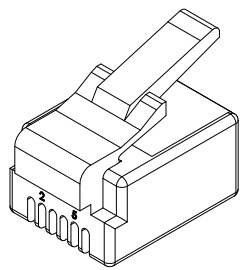
REVISIONS			
REV	DESCRIPTION	DATE	APPROVED
A	INITIAL RELEASE	6/7/17	D.FRISIELLO



\*CONTACTS SHOWN CRIMPED

- NOTES:
1. PLUG KIT CONSISTS OF: PRE-INSERTED PLUG HOUSING.
  2. MATERIALS:  
FRONT HOUSING PLASTIC: CLEAR POLYCARBONATE, UL 94-V0  
CONTACTS: PHOSPHOR BRONZE, 50 μINCHES GOLD PLATING.
  3. CONTACTS TERMINATE STRANDED OR SOLID CONDUCTORS UP TO .037" [0.94] MAX. OUTSIDE DIAMETER OF INSULATION.
  4. TERMINATED PLUG HEIGHT: .237" [6.02] +/- .005 [0.13]
  5. COMPONENT SHALL BE PACKAGED IN BULK OF 100 PIECES PER BAG IN ACCORDANCE WITH L-COM SPECIFICATION PS-0031.

**REGULATORY COMPLIANCE:**  
CE2011/65/EU(RoHS DIRECTIVE)



UNLESS OTHERWISE SPECIFIED, DIMENSIONS ARE IN INCHES [mm] OVERALL CABLE LENGTH TOLERANCE: ≤12 [305] = +1 [25] / -0 >12 [305] ≤60 [1524] = +2 [51] / -0 >60 [1524] ≤120 [3048] = +4 [102] / -0 >120 [3048] ≤300 [7620] = +6 [152] / -0 >300 [7620] = +5% / -0%	APPROVALS	DATE			50 HIGH STREET NORTH ANDOVER, MA 01845	
	DRAWN BY D.FRISIELLO	6/1/17			CATEGORY <b>TELECOM/MODULAR</b>	
ALL OTHER DIMENSIONAL TOLERANCES: .X = ± .2 [5.08] .XX = ± .02 [51] .XXX = ± .005 [1.27]	CHECKED BY M.MARTINEZ	6/7/17	PRODUCT DESCRIPTION <b>PLUG, RJ11(6X4) RND CBL</b>			
	APPROVED BY D.GUITADAURO	6/7/17				
PROJECTION 	CONFIGURATION DETAILS OF UNDIMENSIONED FEATURES MAY VARY		SIZE <b>A</b>	FSCM NO. <b>43321</b>	DWG. NO. <b>TSP3046R</b>	REV. <b>A</b>
COLOR VARIATIONS MAY OCCUR			SCALE: NONE	CAD FILE: TSP3046R.SLDDRW		SHEET 1 OF 1