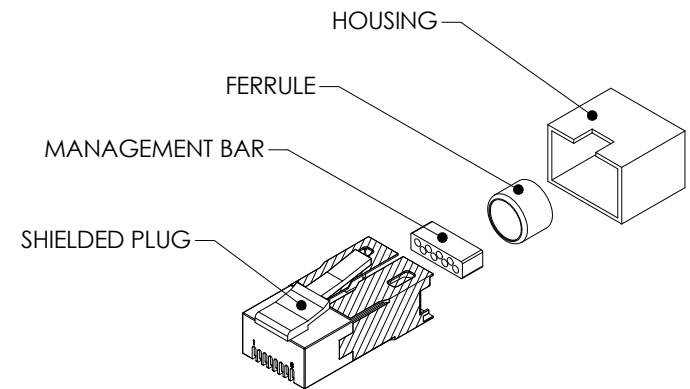
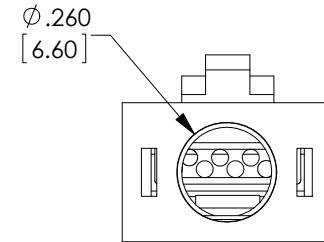
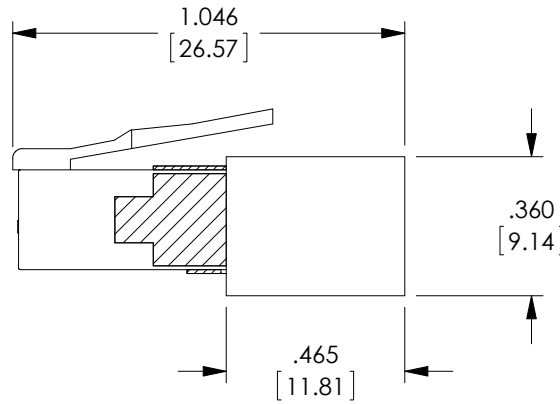
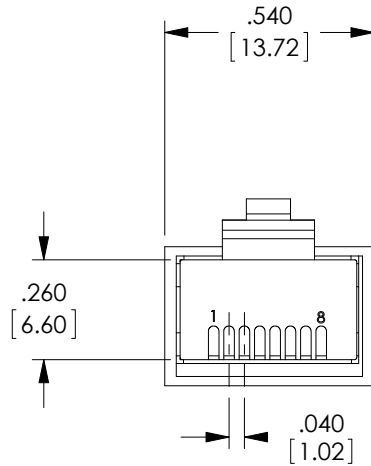
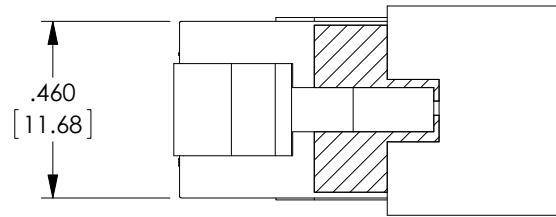


THE INFORMATION CONTAINED IN THIS DRAWING IS THE SOLE PROPERTY OF L-COM, INC. ANY REPRODUCTION IN PART OR WHOLE WITHOUT THE WRITTEN PERMISSION OF L-COM, INC. IS PROHIBITED.

REVISIONS			
REV	DESCRIPTION	DATE	APPROVED
A	INITIAL RELEASE	6/7/17	D.FRISIELLO



NOTES:

1. PLUG KIT CONSISTS OF: PRE-INSERTED PLUG HOUSING, SHIELD, MANAGEMENT BAR, REAR HOUSING AND FERRULE.
2. MATERIALS:
 FRONT HOUSING PLASTIC: CLEAR POLYCARBONATE, UL 94-V0
 MANAGEMENT BAR: CLEAR POLYCARBONATE, UL 94-V0
 REAR HOUSING PLASTIC: BLACK POLYCARBONATE, UL 94-V0
 SHIELD AND FERRULE: TIN PLATED BRASS
 CONTACTS: PHOSPHOR BRONZE, 50 μ INCHES GOLD PLATING
3. CONTACTS TERMINATE STRANDED OR SOLID CONDUCTORS BETWEEN .037" [0.94] TO .042 [1.7] OUTSIDE DIAMETER OF INSULATION.
4. TERMINATED PLUG HEIGHT: .237" [6.02] +/- .005 [0.13]
5. COMPONENT SHALL BE PACKAGED IN BULK OF 50 PIECES PER BAG IN ACCORDANCE WITH L-COM SPECIFICATION PS-0031.

REGULATORY COMPLIANCE:
 CE2011/65/EU (RoHS DIRECTIVE)

UNLESS OTHERWISE SPECIFIED, DIMENSIONS ARE IN INCHES [mm] OVERALL CABLE LENGTH TOLERANCE: ≤12 [305] = +1 [25] / -0 >12 [305] ≤60 [1524] = +2 [51] / -0 >60 [1524] ≤120 [3048] = +4 [102] / -0 >120 [3048] ≤300 [7620] = +6 [152] / -0 >300 [7620] = +5% / -0%	APPROVALS	DATE	 50 HIGH STREET NORTH ANDOVER, MA 01845		
	DRAWN BY D.FRISIELLO	6/1/17			CATEGORY TELECOM/MODULAR
ALL OTHER DIMENSIONAL TOLERANCES: .X = ± .2 [5.08] .XX = ± .02 [5.1] .XXX = ± .005 [1.3]	CHECKED BY M.MARTINEZ	6/7/17	PRODUCT DESCRIPTION SHIELDED RJ45 MODULAR PLUG		
	APPROVED BY D.GUITADAURO	6/7/17			SIZE A FSCM NO. 43321 DWG. NO. TSP3788C5S REV. A
PROJECTION 	COLOR VARIATIONS MAY OCCUR		SCALE: NONE	CAD FILE: TSP3788C5S.SLDDRW	SHEET 1 OF 1