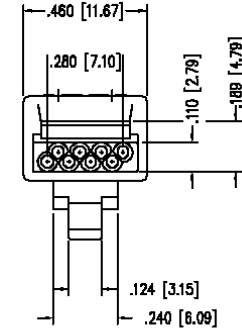
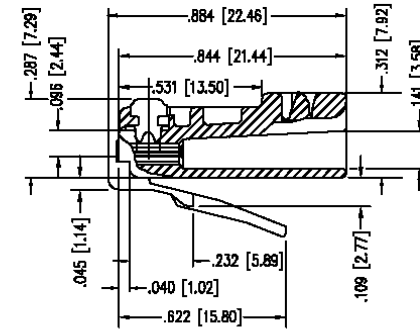
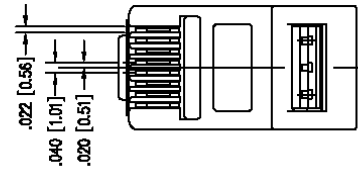
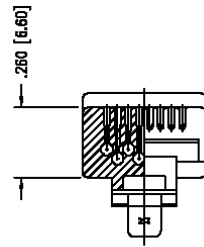


THE INFORMATION CONTAINED IN THIS DRAWING IS THE SOLE PROPERTY OF L-COM, INC. ANY REPRODUCTION IN PART OR WHOLE WITHOUT THE WRITTEN PERMISSION OF L-COM, INC. IS PROHIBITED.

RoHS Compliant ✓

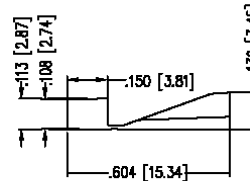
REVISIONS			
REV	DESCRIPTION	DATE	APPROVED
A	INITIAL RELEASE	10/3/12	D.FRISIELLO

EIGHT CONDUCTOR/EIGHT POSITION LINE CORD MODULE;  
CLEAR; FOR FLAT OR OVAL CABLE; FOR CONDUCTORS  
WITH MAXIMUM OUTSIDE DIAMETER OF .037/.042 [.940/1.067]  
CONSISTING OF:  
PRE-INSERTED FRONT PLASTIC 943-SP-370808M2-F  
MANAGEMENT BAR 370808M2-WB-A285

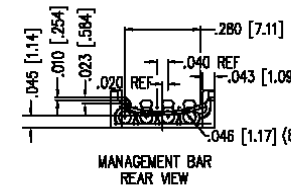


SPECIFICATIONS OF STEWART CONNECTOR'S  
MODULAR PLUGS

- CONTACT MATERIAL: 8% PHOSPHOR BRONZE
- CONTACT PLATING: 50 MICRO-INCH (1.27 MICRON) SELECTIVE 24 CARAT HARD GOLD PLATE IN CONTACT AREA OVER 100 MICRO-INCH (2.54 MICRON) MINIMUM NICKEL PLATE PER CURRENT SELECTIVE GOLD PLATING REQUIREMENTS.
- PLUG MATERIAL: POLYCARBONATE
- PLUG SPECIFICATIONS: MEETS CATEGORY 5 PERFORMANCE SPECS AS TESTED PER EIA/TIA 568A
- PLUG TOLERANCES AND DIMENSIONS: COMPLIES WITH F.C.C REQUIREMENTS ALL OTHER DIM'S ±.005 (±0.127MM) DIM'S WITH \* TO BE CENTRAL ABOUT CENTER LINE
- FLAME AUTO EXTINGUISH LEVEL: 94-V0 (U.L. RECOGNIZED-FILE NO. E132408 (N))
- OPERATION TEMPERATURE: -40°C TO +125°C
- INSERTION/EXTRACTION LIFE: 1000 CYCLES (USING STEWART CONNECTOR JACKS)
- CONTACT RESISTANCE: 10 MILLIOHMS MAX. (USING STEWART CONNECTOR JACKS)
- CURRENT/VOLTAGE: 30 VAC/42 VDC AT 1.5 AMPS



MANAGEMENT BAR  
LEFT SIDE VIEW



MANAGEMENT BAR  
REAR VIEW

NOTES:  
COMPONENT SHALL BE PACKAGED IN QUANTITIES OF 50.

UNLESS OTHERWISE SPECIFIED, DIMENSIONS ARE IN INCHES [mm] OVERALL CABLE LENGTH TOLERANCE: ≤12 [305] = +1 [25] / -0 >12 [305] ≤60 [1524] = +2 [51] / -0 >60 [1524] ≤120 [3048] = +4 [102] / -0 >120 [3048] ≤300 [7620] = +6 [152] / -0 >300 [7620] = +3% / -0%	APPROVALS	DATE		45 BEECHWOOD DRIVE NORTH ANDOVER, MA 01845		
	DRAWN BY D.FRISIELLO	10/3/12				
ALL OTHER DIMENSIONAL TOLERANCES: .X = ±.2 .XX = ±.02 .XXX = ±.005	CHECKED BY D.GALLAGHER	10/3/12	CATEGORY MODULAR			
	APPROVED BY D.GALLAGHER	10/3/12	PRODUCT DESCRIPTION PLUG RJ45(8X8) CAT5E			
PROJECTION 	CONFIGURATION DETAILS OF UNDIMENSIONED FEATURES MAY VARY	COLOR VARIATIONS MAY OCCUR	SIZE <b>A</b>	FSCM NO. <b>43321</b>	DWG. NO. <b>TSP3788C5</b>	REV. <b>A</b>
SCALE: NONE			CAD FILE: TSP3788C5.SLDDRW		SHEET 1 OF 1	