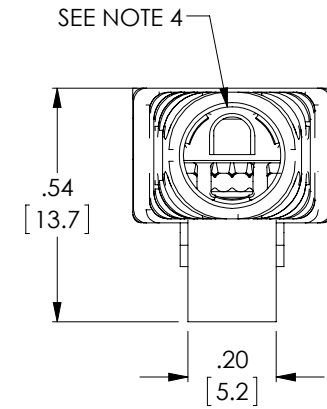
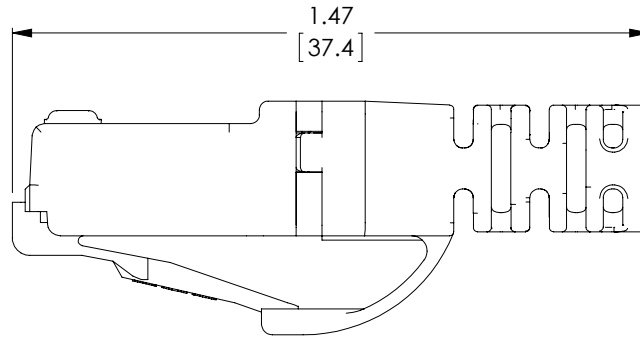
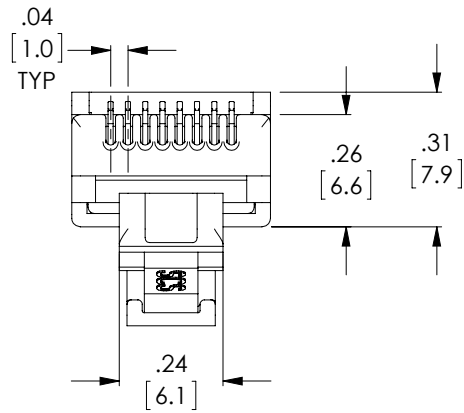
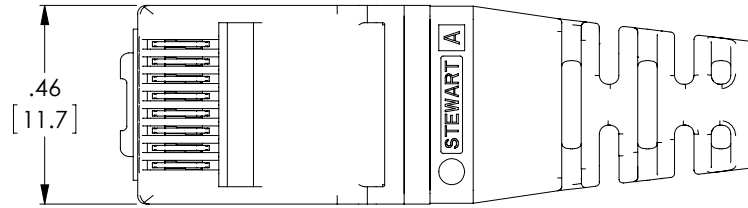


THE INFORMATION CONTAINED IN THIS DRAWING IS THE SOLE PROPERTY OF L-COM, INC. ANY REPRODUCTION IN PART OR WHOLE WITHOUT THE WRITTEN PERMISSION OF L-COM, INC. IS PROHIBITED.

RoHS Compliant ✓

REVISIONS			
REV	DESCRIPTION	DATE	APPROVED
A	INITIAL RELEASE	12/27/12	D.GRIFFIN



NOTES:

1. PLUG KIT CONSISTS OF:
PRE-INSERTED PLUG BODY
LOAD BAR
LOAD BAR
STRAIN RELIEF
2. MATERIAL:
PLUG BODY: CLEAR POLYCARBONATE, UL 94-V0
LOAD BAR: CLEAR POLYCARBONATE, UL 94-V0
STRAIN RELIEF: CLEAR POLYCARBONATE, UL 94-V0
CONTACTS: COPPER ALLOY, 50 μINCHES SELECTIVE GOLD PLATING
3. CONTACTS TERMINATE SOLID OR STRANDED CONDUCTORS BETWEEN .037 [0.94] TO .042 [1.07] OUTSIDE DIAMETER OF INSULATION.
4. STRAIN RELIEF IS FOR CABLES WITH OUTSIDE DIAMETER OF .220 [5.59] TO .230 [5.84].
5. PLUG SPECIFICATION: FOR CATEGORY 6 APPLICATIONS.
6. ALL DIMENSIONS ARE FOR REFERENCE ONLY
7. COMPONENT SHALL BE BULK PACKAGED IN QUANTITIES OF 50

UNLESS OTHERWISE SPECIFIED, DIMENSIONS ARE IN INCHES [mm] OVERALL CABLE LENGTH TOLERANCE: ≤12 [305] = +1 [25] / -0 >12 [305] ≤60 [1524] = +2 [51] / -0 >60 [1524] ≤120 [3048] = +4 [102] / -0 >120 [3048] ≤300 [7620] = +6 [152] / -0 >300 [7620] = +3% / -0%	APPROVALS	DATE		45 BEECHWOOD DRIVE NORTH ANDOVER, MA 01845	
	DRAWN BY D. DESJARDIN	12/27/12		CATEGORY	TELECOM/MODULAR
ALL OTHER DIMENSIONAL TOLERANCES: .X = ±.2 .XX = ±.02 .XXX = ±.005	CHECKED BY D. FRISIELLO	12/27/12	PRODUCT DESCRIPTION PLUG RJ45(8X8) CAT6		
	APPROVED BY M. MARTINEZ	12/27/12			SIZE A FSCM NO. 43321 DWG. NO. TSP4288C6 REV. A
PROJECTION 	COLOR VARIATIONS MAY OCCUR	1AD01-007	SCALE: NONE	CAD FILE: TSP4288C6.SLDDRW	SHEET 1 OF 1