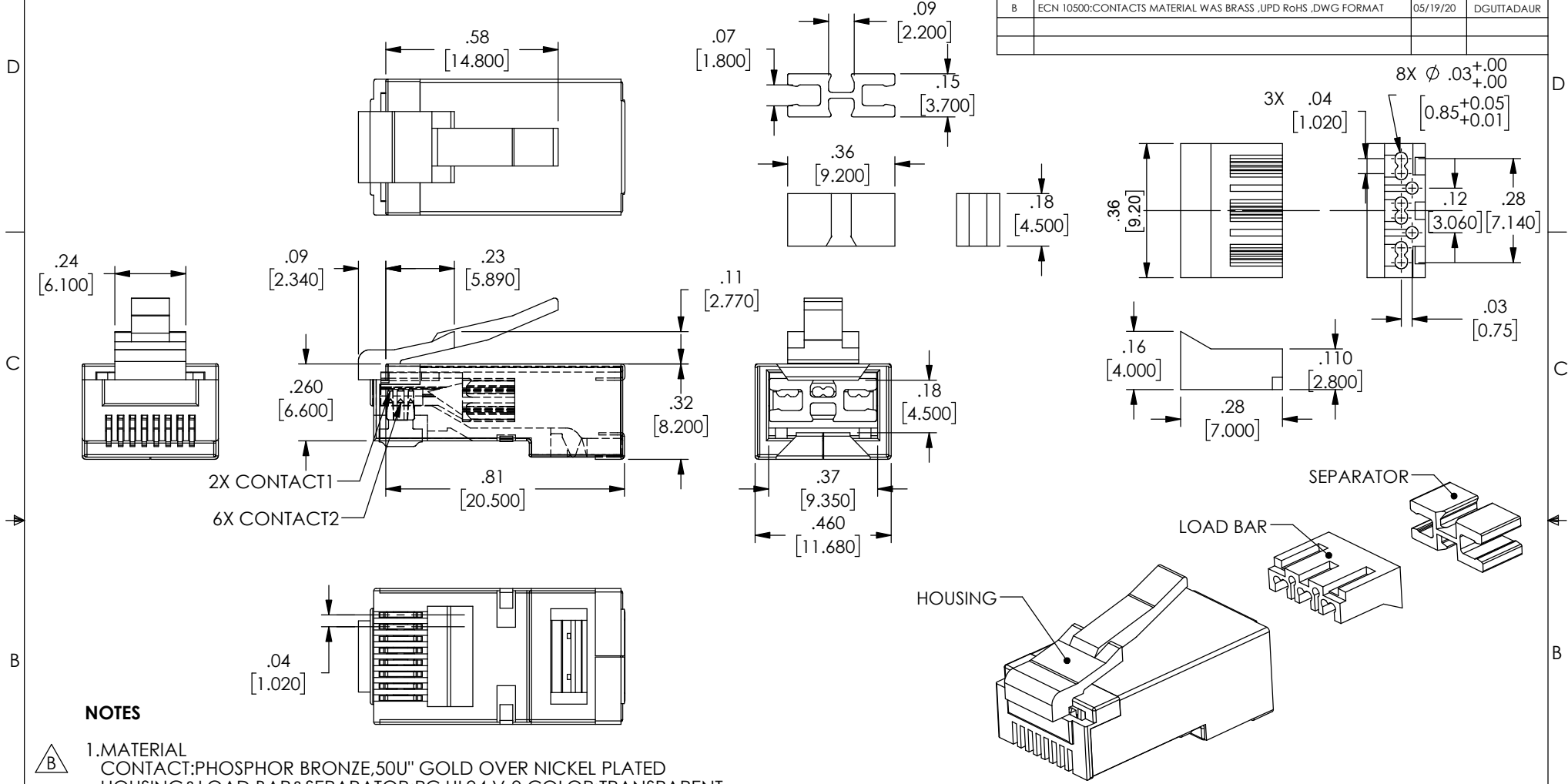


THE INFORMATION CONTAINED IN THIS DRAWING IS THE SOLE PROPERTY OF L-COM, INC. ANY REPRODUCTION IN PART OR WHOLE WITHOUT THE WRITTEN PERMISSION OF L-COM, INC. IS PROHIBITED.


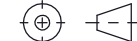
REVISIONS			
REV	DESCRIPTION	DATE	APPROVED
A	INITIAL RELEASE	1/26/16	D.GRIFFIN
B	ECN 10500:CONTACTS MATERIAL WAS BRASS ,UPD RoHS ,DWG FORMAT	05/19/20	DGUITADAUR



**NOTES**

- MATERIAL**  
CONTACT:PHOSPHOR BRONZE,50U" GOLD OVER NICKEL PLATED  
HOUSING&LOAD BAR&SEPARATOR:PC,UL94 V-0,COLOR:TRANSPARENT.  
SHIELDED SHELL:BRASS,NICKEL PLATED
- RATING**  
VOLTAGE:110V AC,CURRENT:1A  
OPERATING TEMPERATURE RANGE: -25°C~+85°C
- ELECTRICAL**  
CONTACT RESISTANCE:20MILL-OHMS  
DIELECTRICAL WITHSTANDING VOLTAGE:1000V DC/MINUTE  
INSULATION RESISTANCE: 500MOHMS MIN. AT 1000V DC
- MECHANICAL**  
CABLE TO PLUG TENSILE STRENGTH: 9KG MIN.
- PLUG MEETS REQUIREMENTS OF TIA-1096
- PLUG SHALL BE BULK PACKAGED 50 PIECES PER BAG IN ACCORDANCE WITH L-COM SPECIFICATION PS-0031.

**REGULATORY COMPLIANCE:**  
EU RoHS DIRECTIVE (MOST RECENT RELEASED VERSION)

UNLESS OTHERWISE SPECIFIED, DIMENSIONS ARE IN INCHES [mm] OVERALL CABLE LENGTH TOLERANCE: ≤12 [305] = +1 [25] / -0 >12 [305] ≤60 [1524] = +2 [51] / -0 >60 [1524] ≤120 [3048] = +4 [102] / -0 >120 [3048] ≤300 [7620] = +6 [152] / -0 >300 [7620] = +5% / -0 ALL OTHER DIMENSIONAL TOLERANCES: .X ± .2 [5]      FRACTIONS ± 1/32 .XX ± .02 [5]      ± 1/32 .XXX ± .005 [13]      ANGLES ± 1°	APPROVALS	DATE	 50 High Street, West Mill, North Andover, MA 01845 USA. Phone: 1.800.341.5266 1.978.682.6936
	DRAWN BY B.ZHANG	01/26/2016	
	CHECKED BY D.GRIFFIN	01/26/2016	<b>TELECOM/MODULAR</b>
	APPROVED BY S.PAN	01/26/2016	
THIRD-ANGLE PROJECTION	CONFIGURATION DETAILS OF UNDIMENSIONED FEATURES MAY VARY		<b>PRODUCT DESCRIPTION</b> <b>RJ45 8P8C C6A SHIELD PLUG 28AWG 50PK</b>
	COLOR VARIATIONS MAY OCCUR	<b>SIZE A</b> <b>CAGE CODE 43321</b> <b>DWG. NO. TSP8028C6A</b>	<b>REV. B</b>
1AD03-052		SCALE: NONE	<b>SHEET 1 OF 1</b>