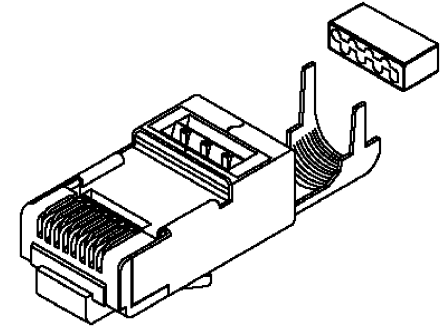
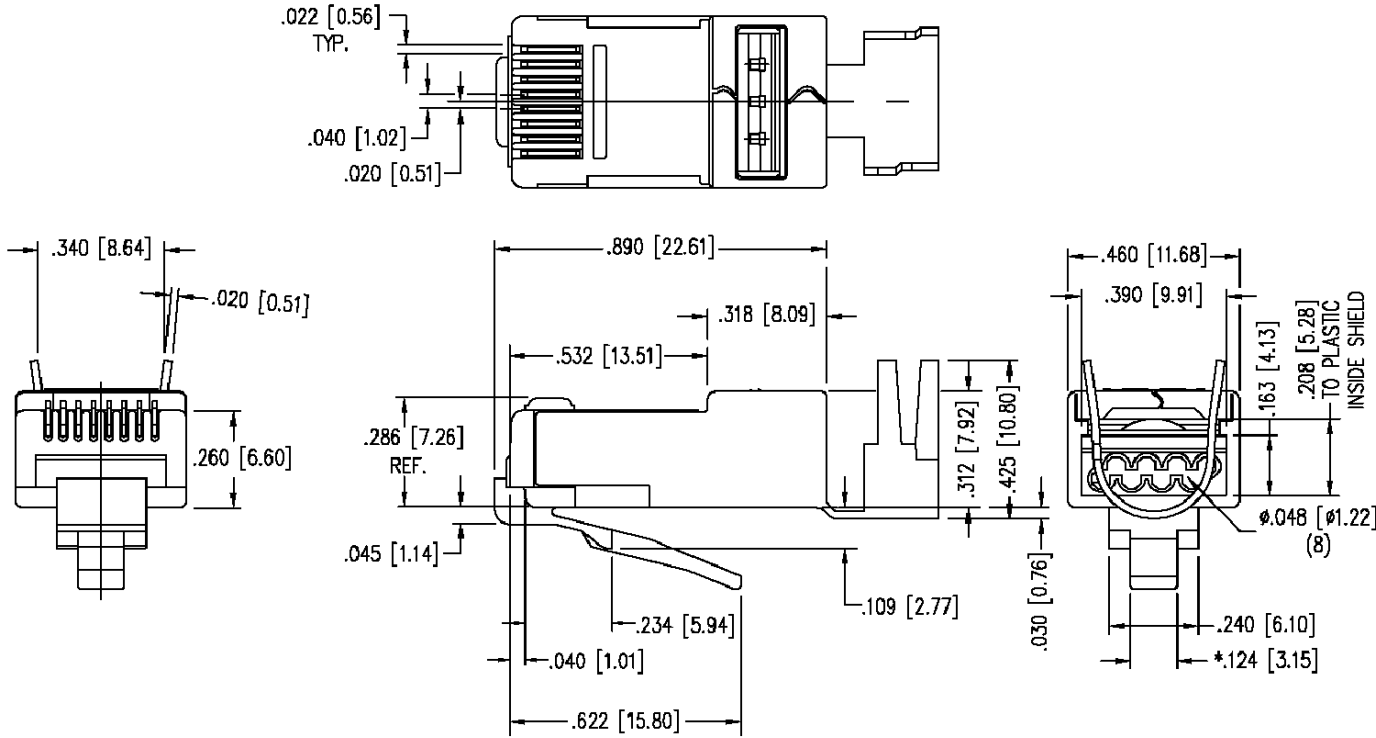


THE INFORMATION CONTAINED IN THIS DRAWING IS THE SOLE PROPERTY OF L-COM, INC. ANY REPRODUCTION IN PART OR WHOLE WITHOUT THE WRITTEN PERMISSION OF L-COM, INC. IS PROHIBITED.

**RoHS Compliant** ✓

REVISIONS			
REV	DESCRIPTION	DATE	APPROVED
A	INITIAL RELEASE	10/16/12	D.GRIFFIN



**SPECIFICATIONS :** "PATENTED"  
**PERFORMANCE:** MEETS OR EXCEEDS CATEGORY 6 ANSI/EIA 568-C.2  
 PERFORMANCE TUNED TO CABLES MEETING CATEGORY 6 SPECIFICATIONS.

**CONTACT MATERIAL:** PHOSPHOR BRONZE - .012  
**CONTACT PLATING:** 50 MICRO-INCH : OTHER PLATING OPTIONS AVAILABLE  
 SELECTIVE 24 CARAT HARD GOLD PLATE IN CONTACT AREA  
 OVER 100 MICRO-INCH MINIMUM NICKEL PLATE  
 PER CURRENT SELECTIVE GOLD PLATING REQUIREMENTS.  
**SHIELD MATERIAL:** CDA-260 1/4 HARD BRASS .012 EXCEPT WHERE NOTED .020  
**SHIELD PLATING:** 100% TIN 100-150 MICRO INCH TIN PLATED

**PLUG MATERIAL:** POLYCARBONATE  
**PLUG TOLERANCES AND DIMENSIONS:** \* COMPLIES WITH ANSI/TIA-1096-A REQUIREMENTS  
**FLAME AUTO EXTINGUISH:** 94-V0 - File# E188111

**OPERATION TEMPERATURE:** -40°C TO +85°C  
**INSERTION/EXTRACTION LIFE:** 1000 CYCLES  
**CONTACT RESISTANCE:** 10 MILLOHMS MAX.  
**CURRENT/VOLTAGE:** 30 VAC/42 VDC AT 1.5 AMPS

- \* EIGHT CONDUCTOR MODULAR PLUG
- \* FOR HIGH SPEED APPLICATION
- \* FOR CONDUCTORS WITH AN O.D. RANGE OF .044 - .048
- \* USE FOR SOLID OR STRANDED CONDUCTORS
- \* PRODUCT REQUIRES A CONDUCTIVE LOAD BAR (PT. No. LB006)
- \* SHIELDED VERSION (SPECIAL HEIGHT) MODULAR PLUG
- \* FOR CABLE DIAMETERS UP TO .310
- \* COMPONENT SOLD IN PACKS OF 10.

UNLESS OTHERWISE SPECIFIED, DIMENSIONS ARE IN INCHES [mm] OVERALL CABLE LENGTH TOLERANCE: ≤12 [305] = +1 [25] / -0 >12 [305] ≤60 [1524] = +2 [51] / -0 >60 [1524] ≤120 [3048] = +4 [102] / -0 >120 [3048] ≤300 [7620] = +6 [152] / -0 >300 [7620] = +3% / -0%	APPROVALS	DATE		45 BEECHWOOD DRIVE NORTH ANDOVER, MA 01845
	DRAWN BY D.FRISIELLO	10/16/12		
ALL OTHER DIMENSIONAL TOLERANCES: .X = ±.2 .XX = ±.02 .XXX = ±.005	CHECKED BY D.GUITADAURO	10/16/12	CATEGORY TELECOM/MODULAR	
	APPROVED BY D.GUITADAURO	10/16/12	PRODUCT DESCRIPTION RJ45P SHLD STRNRLF LBAR LODC	
PROJECTION 	CONFIGURATION DETAILS OF UNDIMENSIONED FEATURES MAY VARY	COLOR VARIATIONS MAY OCCUR	SIZE <b>A</b>	FSCM NO. <b>43321</b>
			DWG. NO. TSP8048C5S-10PK	REV. <b>A</b>
			SCALE: NONE	CAD FILE: TSP8048C5S-10PK.SLDDRW
				SHEET 1 OF 1