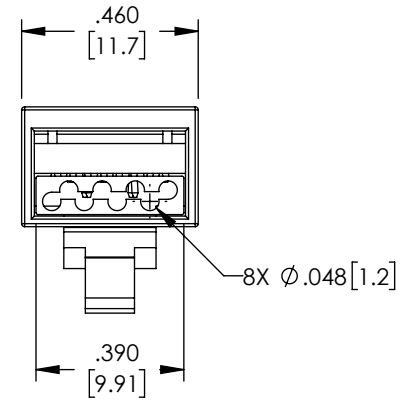
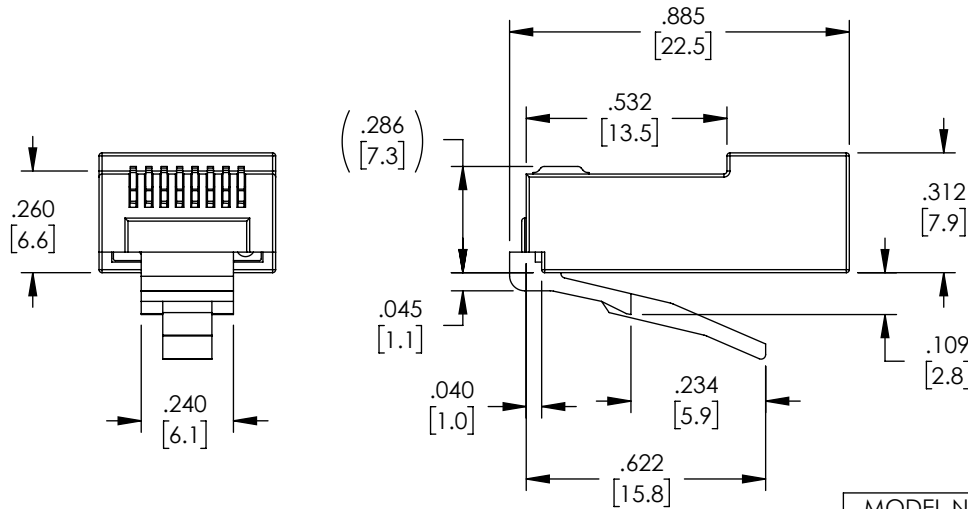
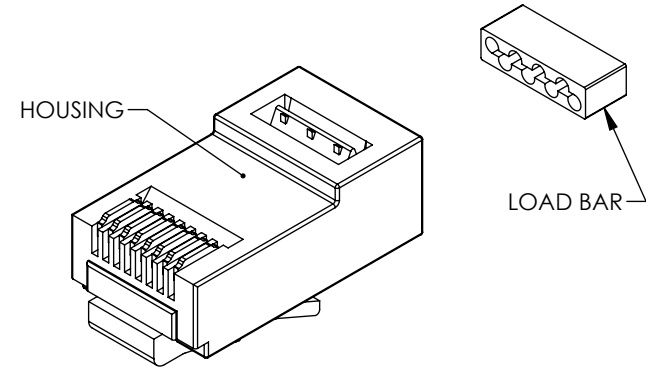
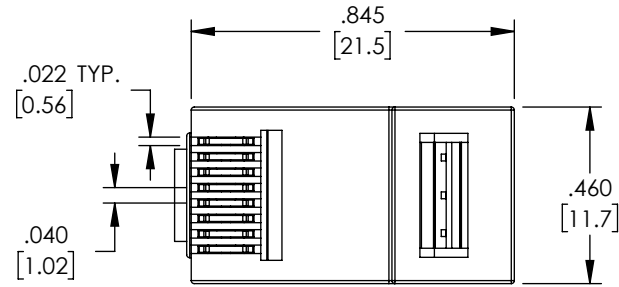


THE INFORMATION CONTAINED IN THIS DRAWING IS THE SOLE PROPERTY OF L-COM, INC. ANY REPRODUCTION IN PART OR WHOLE WITHOUT THE WRITTEN PERMISSION OF L-COM, INC. IS PROHIBITED.

REVISIONS			
REV	DESCRIPTION	DATE	APPROVED
A	INITIAL RELEASE	4/28/2022	DGUTTADAURO




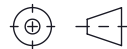
NOTES

- MATERIAL**
CONTACTS: PHOSPHOR BRONZE; PLATING: 50µ" Min. SELECT GOLD OVER 100µm Min NICKEL UNDER PLATED
HOUSING: POLYCARBONATE UL94 V-0
- ELECTRICAL PERFORMANCE**
CURRENT/VOLTAGE: 30 VAC/42 VDC AT 1.5 AMPS.
CONTACT RESISTANCE: 10mOHM Max.
OPERATION TEMPERATURE: -40°C TO +85°C
- MECHANICAL PERFORMANCE**
INSERTION/EXTRACTION LIFE: 1000 CYCLES.
- CONTACTS TERMINATE SOLID OR STRANDED CONDUCTORS BETWEEN .044" [1.12] TO .048" [1.22] OUTSIDE DIAMETER OF INSULATION.
- PLUG TOLERANCES AND DIMENSIONS COMPLY WITH TIA-1096 STANDARDS.
- PRODUCT DESIGNED FOR CATEGORY 6 PATCH CORD APPLICATIONS.

REGULATORY COMPLIANCE:

EU RoHS DIRECTIVE (MOST RECENT RELEASED VERSION)

MODEL NUMBER	QUANTITY
TSPC6U48	1 PACK
TSPC6U48-25PK	25 PACK

UNLESS OTHERWISE SPECIFIED, DIMENSIONS ARE IN INCHES [mm] OVERALL CABLE LENGTH TOLERANCE: ≤12 [305] = +1 [25] / -0 >12 [305] ≤60 [1524] = +2 [51] / -0 >60 [1524] ≤120 [3048] = +4 [102] / -0 >120 [3048] ≤300 [7620] = +6 [152] / -0 >300 [7620] = +5% / -0 ALL OTHER DIMENSIONAL TOLERANCES: .X = ± .2 [5] FRACTIONS ± 1/32 .XX = ± .02 [5] ANGLES ± 1° .XXX = ± .005 [1.3]	APPROVALS	DATE	 an INFINITI® brand 50 High Street, West Mill, North Andover, MA 01845 USA. Phone: 1.800.341.5266 1.978.682.6936
	DRAWN BY HBAKKE CHECKED BY DFRISIELLO APPROVED BY DGUTTADAURO	4/28/2022 4/28/2022 4/28/2022	
THIRD-ANGLE PROJECTION 	CONFIGURATION DETAILS OF UNDIMENSIONED FEATURES MAY VARY COLOR VARIATIONS MAY OCCUR	PRODUCT DESCRIPTION CAT6 RJ45 PLUG UNSHIELDED FOR 0.044-0.048" CONDUCTOR OD	SCALE: NONE CAD FILE: TSPC6U48.SLDDRW
	SIZE A	CAGE CODE 43321	ITEM NO. TSPC6U48
			REV. A