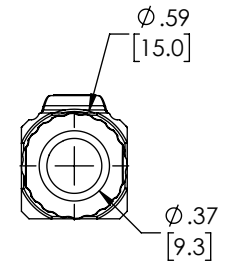
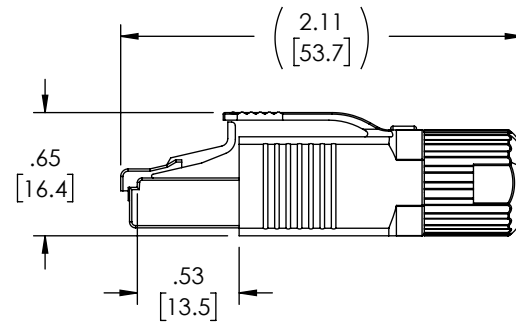
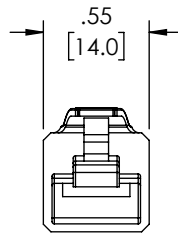
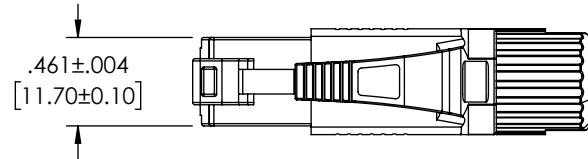
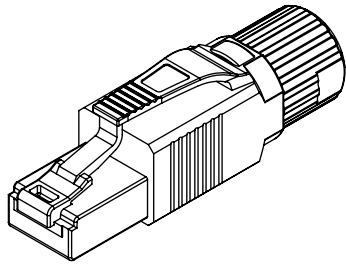
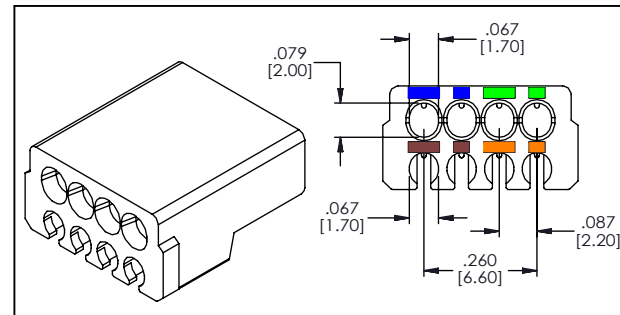




THE INFORMATION CONTAINED IN THIS DRAWING IS THE SOLE PROPERTY OF L-COM, INC. ANY REPRODUCTION IN PART OR WHOLE WITHOUT THE WRITTEN PERMISSION OF L-COM, INC. IS PROHIBITED.

REVISIONS			
REV	DESCRIPTION	DATE	APPROVED
A	INITIAL RELEASE	5/16/22	DGUITADAURO



- NOTES:
- SPECIFICATIONS:**
 QUALIFIED SCREENED CLASS 6A CONNECTING HARDWARE
 COMPLIANT WITH TIA-568.2-D
 IEC 60603-7-51
 ISO/IEC 11801 2.2 EDITION
 CENELEC EN 50173-1
 - ELECTRICAL:**
 INSULATION RESISTANCE: 500 MOhm MINIMUM
 CONTACT RESISTANCE: 20 mOhm MAXIMUM
 POWER OVER ETHERNET: IEC 60512-99-001
 - MECHANICAL:**
 DURABILITY: 1000 MATING CYCLES
 CABLE TO PLUG TENSILE STRENGTH: 20 lbs. (89N) MIN.
 TEMPERATURE: -40°C TO 70°C
 - MATERIALS:**
 HOUSING: NYLON
 PLUG-BODY: POLYCARBONATE (PC), UL 94V-0
 WIRE-HOLDER: PBT +10%GF
 PLUG-CONTACT: T=.013" [0.35mm] PHOSPHOR BRONZE, CONTACT AREA:
 GOLD OVER NICKEL PLATING
 IDC-CONTACT: T=.015" [0.4mm] PHOSPHOR BRONZE, Sn OVER NICKEL
 PLATING
 SHIELDED-BASE: T=.019" [0.5mm] BRASS, NICKEL PLATING
 SHIELDED-COVER: T=.012" [0.3mm] PHOSPHOR BRONZE, NICKEL PLATING
 ACCEPTS CABLE: APPROXIMATELY 26-22AWG SOLID WIRE. OUTER DIAMETER
 .236-.335" [6.0-8.5mm] DEPENDING ON INSULATION THICKNESS
 - COMPONENT SHALL BE INDIVIDUALLY PACKAGED IN ACCORDANCE WITH L-COM SPECIFICATION PS-0031.



UNLESS OTHERWISE SPECIFIED, DIMENSIONS ARE IN INCHES [mm] OVERALL CABLE LENGTH TOLERANCE: ≤12 [305] = +1 [25] / -0 >12 [305] ≤60 [1524] = +2 [51] / -0 >60 [1524] ≤120 [3048] = +4 [102] / -0 >120 [3048] ≤300 [7620] = +6 [152] / -0 >300 [7620] = +5% / -0 ALL OTHER DIMENSIONAL TOLERANCES: .X = ± .2 [5] FRACTIONS ± 1/32 .XX = ± .02 [5] ANGLES ± 1° .XXX = ± .005 [13]	APPROVALS	DATE	 50 High Street, West Mill, North Andover, MA 01845 USA. Phone: 1.800.341.5266 1.978.682.6936
	DRAWN BY HBAKKE	5/16/22	
THIRD-ANGLE PROJECTION 	CHECKED BY DFRISIELLO	5/17/22	CATEGORY TELECOM/MODULAR
	APPROVED BY DGUITADAURO	5/17/22	
CONFIGURATION DETAILS OF UNDIMENSIONED FEATURES MAY VARY	PRODUCT DESCRIPTION CATEGORY 6A ETHERNET RJ45 FIELD TERMINATION PLUG MALE, SHIELDED, 22-26AWG, POE		SCALE: NONE CAD FILE: TSPFTC6AS-POE.SLDDRW SHEET 1 OF 1
COLOR VARIATIONS MAY OCCUR	SIZE A	CAGE CODE 43321	

REGULATORY COMPLIANCE:
 EU RoHS DIRECTIVE (MOST RECENT RELEASED VERSION)