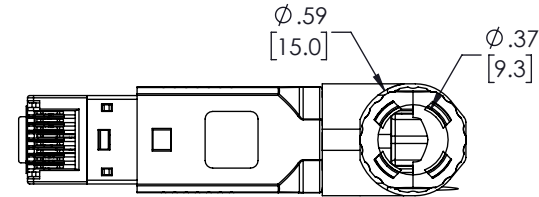
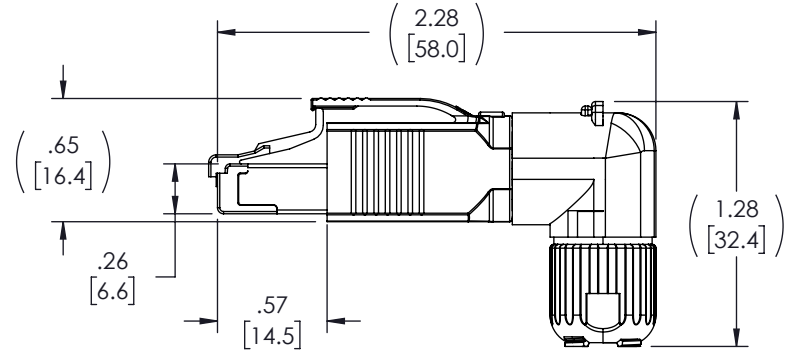
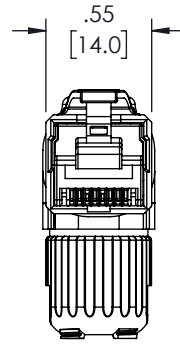
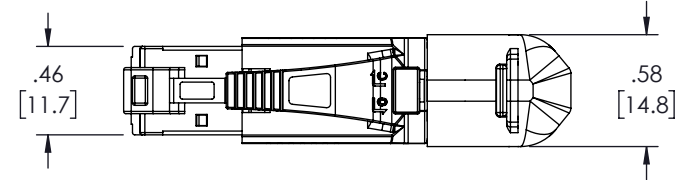
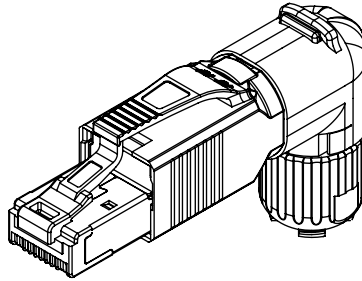
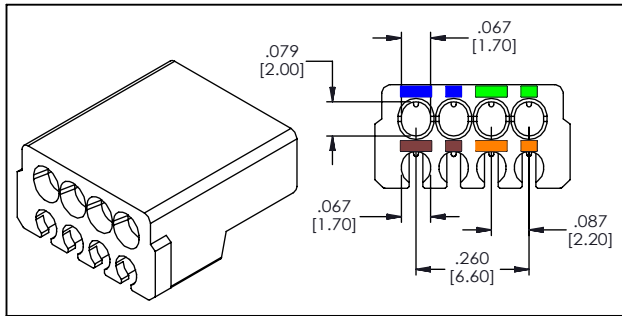


THE INFORMATION CONTAINED IN THIS DRAWING IS THE SOLE PROPERTY OF L-COM, INC. ANY REPRODUCTION IN PART OR WHOLE WITHOUT THE WRITTEN PERMISSION OF L-COM, INC. IS PROHIBITED.

| REVISIONS | | | |
|-----------|-----------------|---------|-------------|
| REV | DESCRIPTION | DATE | APPROVED |
| A | INITIAL RELEASE | 5/16/22 | DGUTTADAURO |
| | | | |
| | | | |


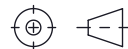


NOTES:

- SPECIFICATIONS:
 QUALIFIED SCREENED CLASS 6A CONNECTING HARDWARE
 COMPLIANT WITH TIA-568.2-D
 IEC 60603-7-51
 ISO/IEC 11801 2.2 EDITION
 CENELEC EN 50173-1
- ELECTRICAL:
 INSULATION RESISTANCE: 500 MOhm MINIMUM
 CONTACT RESISTANCE: 20 mOhm MAXIMUM
 POWER OVER ETHERNET: IEC 60512-99-001
- MECHANICAL:
 DURABILITY: 1000 MATING CYCLES
 CABLE TO PLUG TENSILE STRENGTH: 20 lbs. (89N) MIN.
 TEMPERATURE: -40°C TO 70°C
- MATERIALS:
 HOUSING: NYLON
 PLUG-BODY: POLYCARBONATE (PC), UL 94V-0
 WIRE-HOLDER: PBT +10%GF
 PLUG-CONTACT: T=.013" [0.35mm] PHOSPHOR BRONZE, CONTACT AREA:
 GOLD OVER NICKEL PLATING
 IDC-CONTACT: T=.015" [0.4mm] PHOSPHOR BRONZE, Sn OVER NICKEL
 PLATING
 SHIELDED-BASE: T=.019" [0.5mm] BRASS, NICKEL PLATING
 SHIELDED-COVER: T=.012" [0.3mm] PHOSPHOR BRONZE, NICKEL PLATING
 ACCEPTS CABLE: APPROXIMATELY 26-22AWG SOLID WIRE. OUTER DIAMETER
 .236-.335" [6.0-8.5mm] DEPENDING ON INSULATION THICKNESS
- COMPONENT SHALL BE INDIVIDUALLY PACKAGED IN ACCORDANCE WITH
 L-COM SPECIFICATION PS-0031.

REGULATORY COMPLIANCE:

EU RoHS DIRECTIVE (MOST RECENT RELEASED VERSION)

| | | | |
|---|---|------------------------------------|--|
| UNLESS OTHERWISE SPECIFIED, DIMENSIONS ARE IN INCHES [mm] | APPROVALS | DATE |  50 High Street, West Mill, North Andover, MA 01845 USA. Phone: 1.800.341.5266 1.978.682.6936 |
| | OVERALL CABLE LENGTH TOLERANCE: ≤12 [305] = +1 [25] / -0 >12 [305] ≤60 [1524] = +2 [51] / -0 >60 [1524] ≤120 [3048] = +4 [102] / -0 >120 [3048] ≤300 [7620] = +6 [152] / -0 >300 [7620] = +5% / -0 | DRAWN BY HBAKKE | |
| ALL OTHER DIMENSIONAL TOLERANCES: .X = ± .2 [5] FRACTIONS ± 1/32 .XX = ± .02 [5] ANGLES ± 1° .XXX = ± .005 [1.3] | CHECKED BY DFRISIELLO | 5/17/22 | CATEGORY TELECOM/MODULAR |
| | APPROVED BY DGUTTADAURO | 5/17/22 | |
| THIRD-ANGLE PROJECTION | CONFIGURATION DETAILS OF UNDIMENSIONED FEATURES MAY VARY | COLOR VARIATIONS MAY OCCUR | SIZE A |
|  | CAGE CODE 43321 | ITEM NO. TSPFTC6ASRA-POE | REV. A |
| SCALE: NONE | | CAD FILE: TSPFTC6ASRA-POE.SLDDRW | SHEET 1 OF 1 |