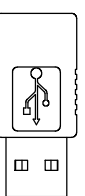
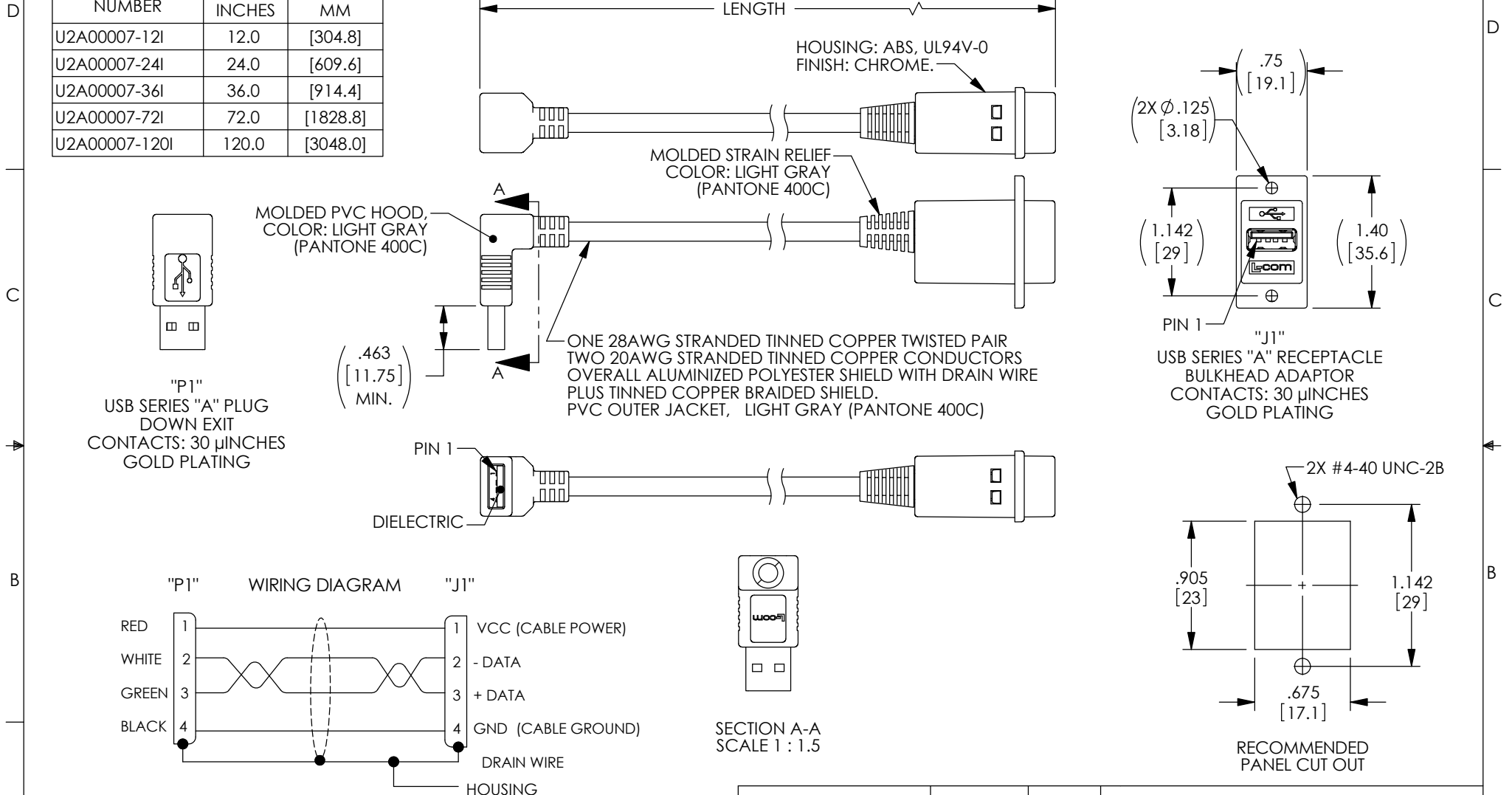


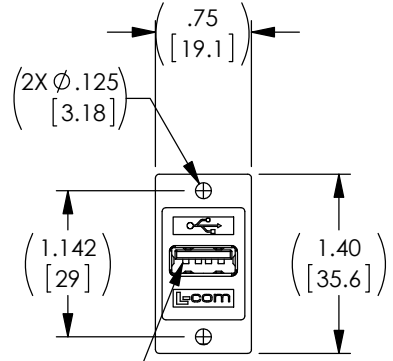
THE INFORMATION CONTAINED IN THIS DRAWING IS THE SOLE PROPERTY OF L-COM, INC. ANY REPRODUCTION IN PART OR WHOLE WITHOUT THE WRITTEN PERMISSION OF L-COM, INC. IS PROHIBITED.

REVISIONS			
REV	DESCRIPTION	DATE	APPROVED
A	INITIAL RELEASE	06/28/17	J.LABOY

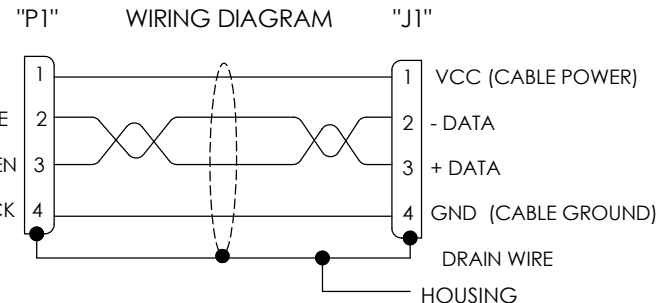
PART NUMBER	LENGTH	
	INCHES	MM
U2A00007-12I	12.0	[304.8]
U2A00007-24I	24.0	[609.6]
U2A00007-36I	36.0	[914.4]
U2A00007-72I	72.0	[1828.8]
U2A00007-120I	120.0	[3048.0]



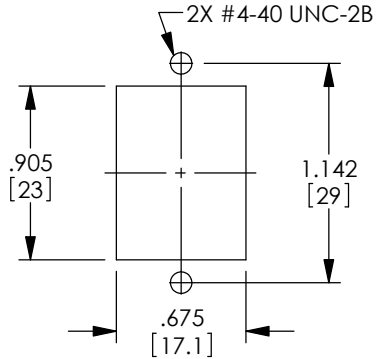
"P1"
USB SERIES "A" PLUG
DOWN EXIT
CONTACTS: 30 μINCHES
GOLD PLATING



"J1"
USB SERIES "A" RECEPTACLE
BULKHEAD ADAPTOR
CONTACTS: 30 μINCHES
GOLD PLATING



SECTION A-A
SCALE 1 : 1.5



RECOMMENDED
PANEL CUT OUT

- NOTES:
1. OPERATING TEMPERATURE: -10°C TO +70°C
 2. CABLE ASSEMBLY SHALL MEET USB 2.0 REQUIREMENTS.
 3. CABLE ASSEMBLY SHALL BE TESTED FOR CONTINUITY.
 4. CABLE ASSEMBLY SHALL BE INDIVIDUALLY PACKAGED IN ACCORDANCE WITH L-COM SPECIFICATION PS-0031.

REGULATORY COMPLIANCE:
CE2011/65/EU (RoHS DIRECTIVE)

UNLESS OTHERWISE SPECIFIED, DIMENSIONS ARE IN INCHES [mm] OVERALL CABLE LENGTH TOLERANCE: ≤12 [305] = +1 [25] / -0 >12 [305] ≤60 [1524] = +2 [51] / -0 >60 [1524] ≤120 [3048] = +4 [102] / -0 >120 [3048] ≤300 [7620] = +6 [152] / -0 >300 [7620] = +5% / -0%	APPROVALS	DATE	 50 HIGH STREET NORTH ANDOVER, MA 01845			
	DRAWN BY S.LI	06/05/17		CATEGORY USB		
ALL OTHER DIMENSIONAL TOLERANCES: .X = ±.2 [5.08] .XX = ±.02 [1.51] .XXX = ±.005 [1.13]	CHECKED BY B.ZHANG	06/05/17	PRODUCT DESCRIPTION USB2.0 A-F PNL MNT/90DN A-M SHLD			
	APPROVED BY B.GATES	06/07/17		<table border="1"> <tr> <td>SIZE A</td> <td>FSCM NO. 43321</td> <td>DWG. NO. U2A00007</td> <td>REV. A</td> </tr> </table>	SIZE A	FSCM NO. 43321
SIZE A	FSCM NO. 43321	DWG. NO. U2A00007	REV. A			
PROJECTION 	CONFIGURATION DETAILS OF UNDIMENSIONED FEATURES MAY VARY		SCALE: NONE			
COLOR VARIATIONS MAY OCCUR	CAD FILE: U2A00007.SLDDRW		SHEET 1 OF 1			