

U Series/U317/UTR1 Rackshelves

www.middleatlantic.com
www.datatelracks.com

U Series / U317 / UTR1 - Rackshelves

Features

U Series - Universal rackshelves



- Available in 1 through 4 rackspaces
- Weight capacity from 35 to 85 lbs. depending on size
- Accommodates most standard non-rackmountable components
- See chart for part numbers and dimensions
- Contractor packs available

U317 - Vented 3 space rackshelf

- 17 3/4" depth allows for deeper components
- 60 lb. weight capacity
- Vent pattern provides superior air circulation
- Slotted rear flange for cable management

UTR1 - Half-rack shelf

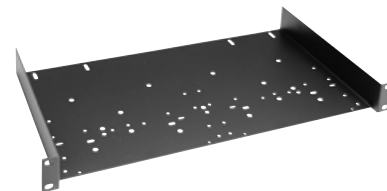
- 25 lb. weight capacity
- Universal mounting hole pattern accommodates virtually any half or third space component
- Equipment mounting hardware included
- Contractor packs available



U2



U317



UTR1

Architects' and Engineers' Specifications

U Series / U317 / UTR1 shall have:

- Durable black powder coat finish
- Solid one piece construction
- Constructed of 16-gauge steel

U Series Universal Rackshelves

- M.A.P. part number shall be UX
(X = rack spaces required)
(See chart prior to determining X)
- Contractor packs available, part number shall be:

| Part # | Quantity |
|---------|----------|
| U1-RP12 | 12 U1's |
| U2-RP6 | 6 U2's |

U317 - Vented 3 space rackshelf

- M.A.P. part number shall be U317
- 3 spaces (5 1/4" tall)
- Vented

UTR1 - Half-rack shelf

- M.A.P. part number shall be UTR1
- Shelf area shall be 17 3/8" wide by 10" deep
- Supplied hardware includes

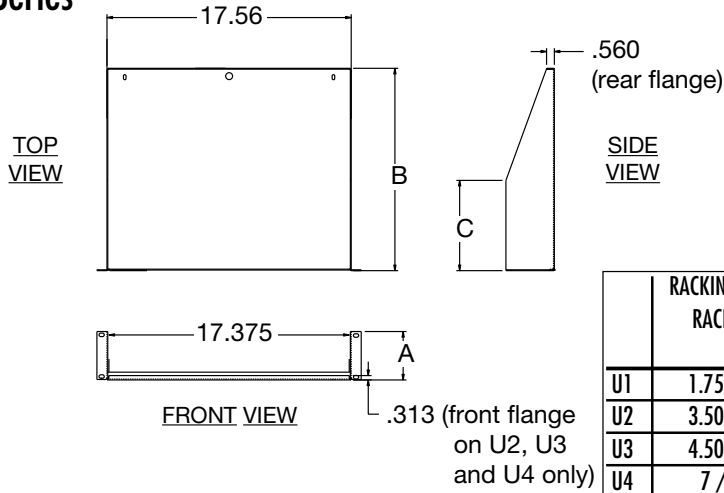
| | |
|-------|------------------|
| 4 qty | 6-32x1/4 screws |
| 4 qty | 8-32x1/4 screws |
| 2 qty | 10-32x1/4 screws |
- Contractor pack available, part number shall be UTR1-RP12 for pack of 12

Engineered Mounting Solutions for Low Voltage Applications

U Series / U317 / UTR1 basic dimensions

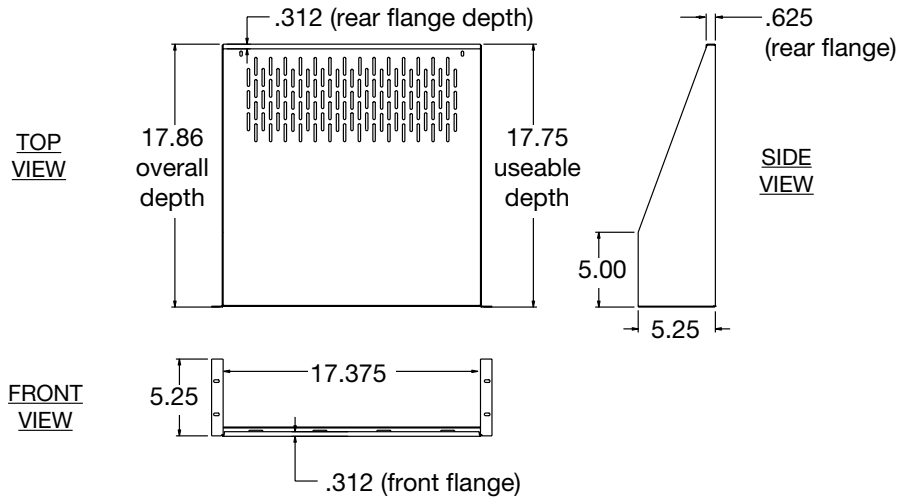
All dimensions in inches unless otherwise noted

U Series



| | RACKING HEIGHT/ RACKSPACES "A" | OVERALL DEPTH "B" | "C" | WEIGHT CAPACITY |
|----|--------------------------------------|-------------------------|-------|--------------------|
| U1 | 1.75 / (1 SP) | 11 | 6.05 | 35 lbs. |
| U2 | 3.50 / (2 SP) | 14.75 | 6.49 | 50 lbs. |
| U3 | 4.50 / (3 SP) | 14.75 | 5.716 | 70 lbs. |
| U4 | 7 / (4 SP) | 15.50 | 6.0 | 85 lbs. |

U317



UTR1

