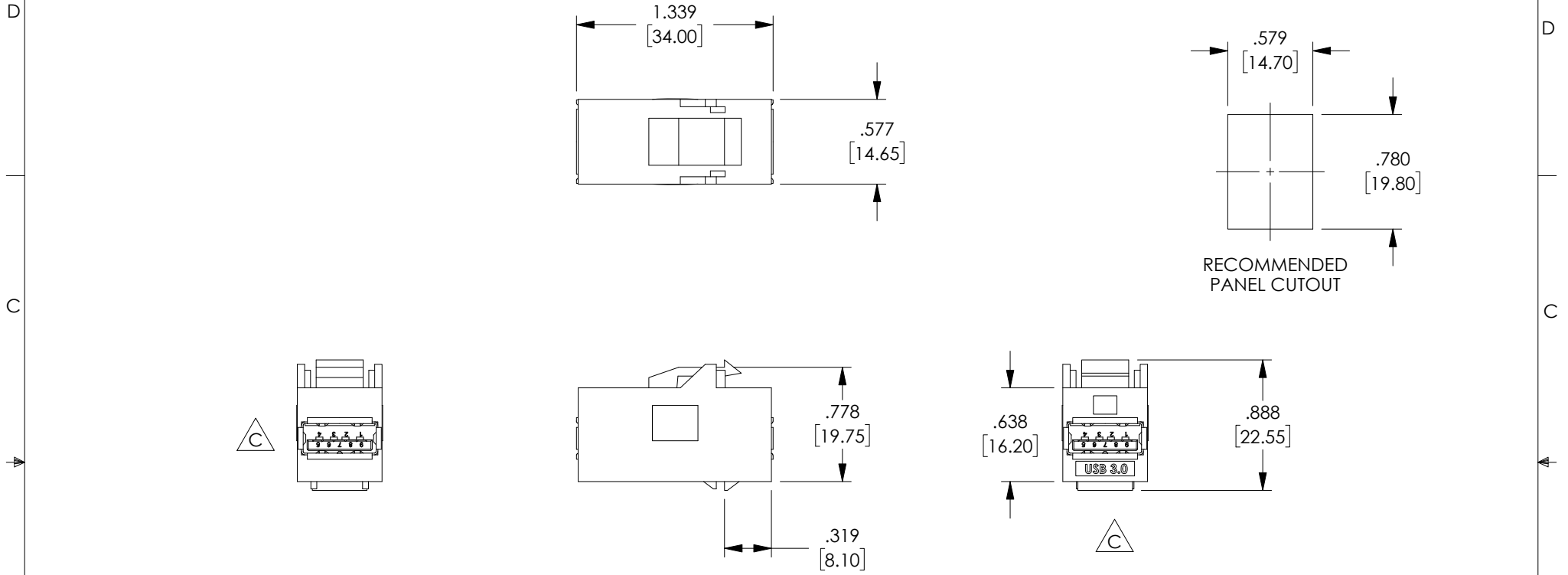


THE INFORMATION CONTAINED IN THIS DRAWING IS THE SOLE PROPERTY OF L-COM, INC. ANY REPRODUCTION IN PART OR WHOLE WITHOUT THE WRITTEN PERMISSION OF L-COM, INC. IS PROHIBITED.

REVISIONS			
REV	DESCRIPTION	DATE	APPROVED
A	INITIAL RELEASE	08/11/2017	JLABOY
B	ECN 9857: ADDED RECOMMENDED PANEL CUTOUT, REVISED NOTES	05/15/2019	DFRISIELLO
C	ECN 10531: REVISED CONNECTOR FRAME, ROTATED CONNECTORS	06/01/2020	GUTTADAURO




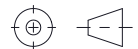
**MATERIALS**  
 HOUSING: PC-ABS UL94 V-0, BLACK  
 PCB: FR4, 1.6MM

**USB CONNECTOR:**  
 INSULATOR: PBT, UL94 V-0  
 SHELL: STAINLESS STEEL, NICKEL PLATED  
 JACK CONTACTS 5 PIN: COPPER ALLOY, 1μ INCH GOLD PLATE  
 JACK CONTACTS 4 PIN: PHOSPHOR BRONZE, 1μ INCH GOLD PLATE  
 CONTACT FINISH: COPPER ALLOY, GOLD PLATED ON CONTACT AREA MATTE TIN  
 80U" MIN. PLATED ON SOLDER TAILS, NICKEL UNDER PLATED.

**PERFORMANCE:**  
 UNIVERSAL SERIAL BUS 3.0 UP TO 5 GBPS

**ELECTRICAL CHARACTERISTICS:**  
 CONTACT RESISTANCE: ≤30 MΩ  
 INSULATION RESISTANCE: ≥1000 MΩ  
 VOLTAGE PROOF: ≥500 V, AC  
 TEMPERATURE: -40°C TO +70°C

**CURRENT CARRYING CAPACITY:**  
 SIGNAL CONTACTS AT 98°C: ≤1 A  
 POWER CONTACTS AT 90°C: ≤3 A

UNLESS OTHERWISE SPECIFIED, DIMENSIONS ARE IN INCHES [mm] OVERALL CABLE LENGTH TOLERANCE: ≤12 [305] = +1 [25] / -0 >12 [305] ≤60 [1524] = +2 [51] / -0 >60 [1524] ≤120 [3048] = +4 [102] / -0 >120 [3048] ≤300 [7620] = +6 [152] / -0 >300 [7620] = +5% / -0 ALL OTHER DIMENSIONAL TOLERANCES: .X = ± .2 [5]   FRACTIONS ± 1/32 .XX = ± .02 [5]   ANGLES ± 1° .XXX = ± .005 [13]	APPROVALS	DATE	 50 High Street, West Mill, North Andover, MA 01845 USA. Phone: 1.800.341.5266 1.978.682.6936		
	DRAWN BY RCLARK	08/11/2017		CATEGORY USB	
CHECKED BY JLABOY	08/14/2017	PRODUCT DESCRIPTION ADPT, USB KEYSTONE A-A			
APPROVED BY BG-ATES	08/14/2017		SIZE <b>A</b>	CAGE CODE <b>43321</b>	ITEM NO. U3C00029
THIRD-ANGLE PROJECTION 	CONFIGURATION DETAILS OF UNDIMENSIONED FEATURES MAY VARY	COLOR VARIATIONS MAY OCCUR	SCALE: NONE	CAD FILE: U3C00029.SLDDRW	SHEET 1 OF 1