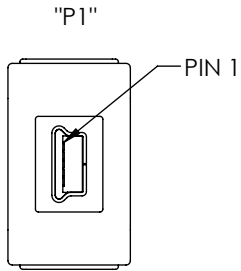
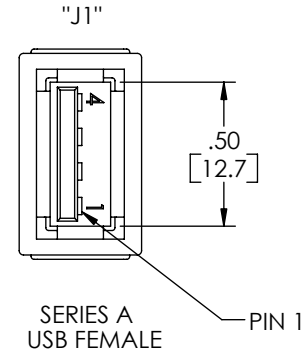
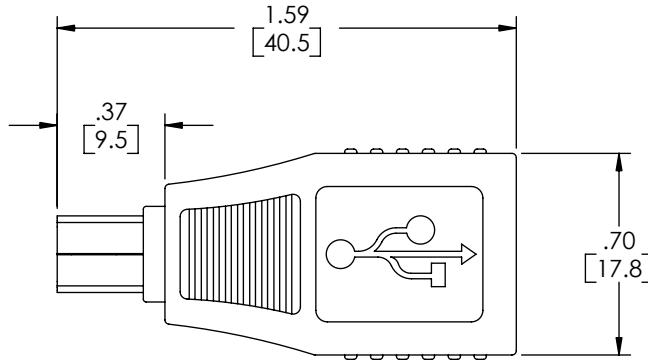


THE INFORMATION CONTAINED IN THIS DRAWING IS THE SOLE PROPERTY OF L-COM, INC. ANY REPRODUCTION IN PART OR WHOLE WITHOUT THE WRITTEN PERMISSION OF L-COM, INC. IS PROHIBITED.

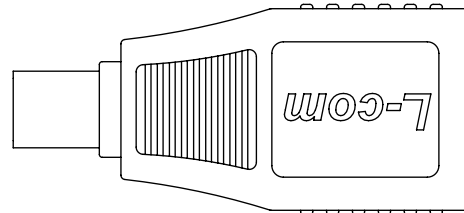
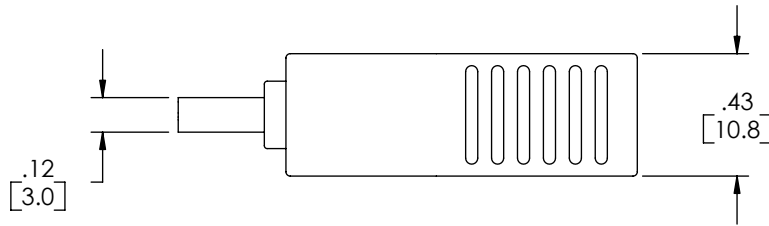
REVISIONS			
REV	DESCRIPTION	DATE	APPROVED
A	INITIAL RELEASE	5/5/08	D.GRIFFIN



5 PIN SERIES MALE MINI B



SERIES A USB FEMALE



WIRING MAP	
"P1"	"J1"
1	1
2	2
3	3
4	N/C
5	4
SHELL	SHELL

NOTES:

MATERIAL:

INSULATOR: PBT, UL 94V-0
 CONTACT: BRASS, GOLD PLATE OVER NICKEL.
 HOOD: PVC, BLACK

FINISH:

SHELL: NICKEL SILVER.

MISCELLANEOUS:

CURRENT RATING: 3 AMP
 DIELECTRIC STRENGTH: 1000V AC FOR 1 MINUTE.
 INSULATOR RESISTANCE: 1000M OHMS MIN AT 500V DC.

UNLESS OTHERWISE SPECIFIED, DIMENSIONS ARE IN INCHES [mm] OVERALL CABLE LENGTH TOLERANCE: ≤12 [305] = +1 [25] / -0 >12 [305] ≤60 [1524] = -2[51] / -0 >60 [1524] ≤120 [3048] = +4 / -0 >120 [3048] ≤300 [7620] = +6 / -0 >300 [7620] = +5% / -0% ALL OTHER DIMENSIONAL TOLERANCES: .X = .3 .XX = .15	APPROVALS D.CASTRO CHECKED BY D.PARHAM APPROVED BY S.SMITH	DATE 5/2/08 5/2/08 5/5/08	 45 BEECHWOOD DRIVE NORTH ANDOVER, MA 01845
	CONFIGURATION DETAILS OF UNDIMENSIONED FEATURES MAY VARY		CATEGORY USB
	PROJECTION 		PRODUCT DESCRIPTION ADPT, USB A-F/MB5-M
	COLOR VARIATIONS MAY OCCUR	SIZE A	FSCM NO. 43321

SCALE: NONE CAD FILE: UAD019FM.SLDDRW SHEET 1 OF 1