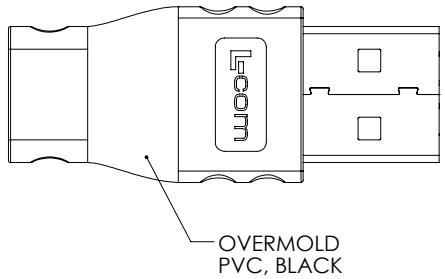
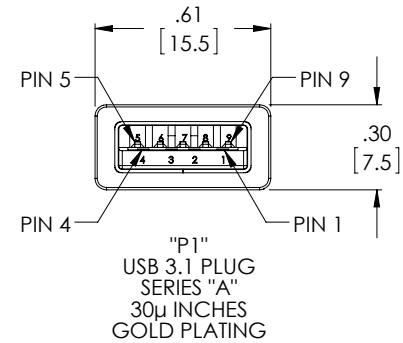
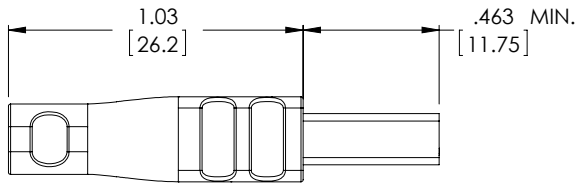
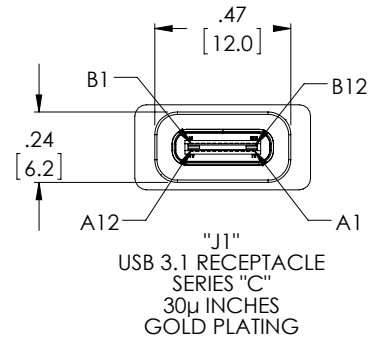
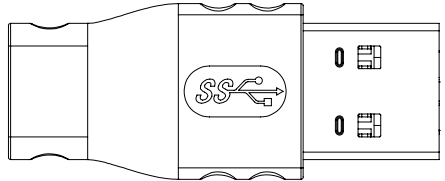
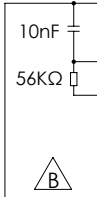


THE INFORMATION CONTAINED IN THIS DRAWING IS THE SOLE PROPERTY OF L-COM, INC. ANY REPRODUCTION IN PART OR WHOLE WITHOUT THE WRITTEN PERMISSION OF L-COM, INC. IS PROHIBITED.

REVISIONS			
REV	DESCRIPTION	DATE	APPROVED
A	INITIAL RELEASE	7/21/16	D.GRIFFIN
B	ECN 8429 : UPDATE WIRE MAP	7/27/16	S.LI



WIRE MAP			
"J1"	SIGNAL NAME	"P1"	SIGNAL NAME
A1,B1,A12,B12	GND	4	GND
A4,B4,A9,B9	VBUS	7	GND_DRAIN
A5	CC	1	VBUS
B5	VCONN		N/C
A6, B6	Dp1	3	N/C
A7, B7	Dn1	2	D+
A2	SSTXp1	9	D-
A3	SSTXn1	8	StdA_SSTX+
B11	SSRXp1	6	StdA_SSTX-
B10	SSRXn1	5	StdA_SSRX+
SHELL	SHIELD	SHELL	StdA_SSRX-
			SHIELD



- NOTES:**
- ADAPTER SHALL HAVE 360° SHIELD TERMINATION.
  - ADAPTER SHALL BE TESTED FOR CONTINUITY.
  - ADAPTER SHALL BE INDIVIDUALLY PACKAGED IN ACCORDANCE WITH L-COM SPECIFICATION PS-0031.

**REGULATORY COMPLIANCE:**  
CE2011/65/EU (RoHS DIRECTIVE)

UNLESS OTHERWISE SPECIFIED, DIMENSIONS ARE IN INCHES [mm] OVERALL CABLE LENGTH TOLERANCE: ≤12 [305] = +1 [25] / -0 >12 [305] ≤60 [1524] = +2 [51] / -0 >60 [1524] ≤120 [3048] = +4 [102] / -0 >120 [3048] ≤300 [7620] = +6 [152] / -0 >300 [7620] = +3% / -0%	APPROVALS	DATE		50 HIGH STREET NORTH ANDOVER, MA 01845
	DRAWN BY S.LI	07/14/2016		
ALL OTHER DIMENSIONAL TOLERANCES: .X = ± .2 [5.08] .XX = ± .02 [.51] .XXX = ± .005 [.13]	CHECKED BY B.ZHANG	07/14/2016	CATEGORY	
	APPROVED BY S.PAN	07/14/2016	USB	
PROJECTION	CONFIGURATION DETAILS OF UNDIMENSIONED FEATURES MAY VARY	PRODUCT DESCRIPTION		
	COLOR VARIATIONS MAY OCCUR	SIZE <b>A</b>	FSCM NO. <b>43321</b>	DWG. NO. <b>UAD31AMCF</b>
	SCALE: NONE CAD FILE: UAD31AMCF.SLDDRW			REV. <b>B</b>
				SHEET 1 OF 1