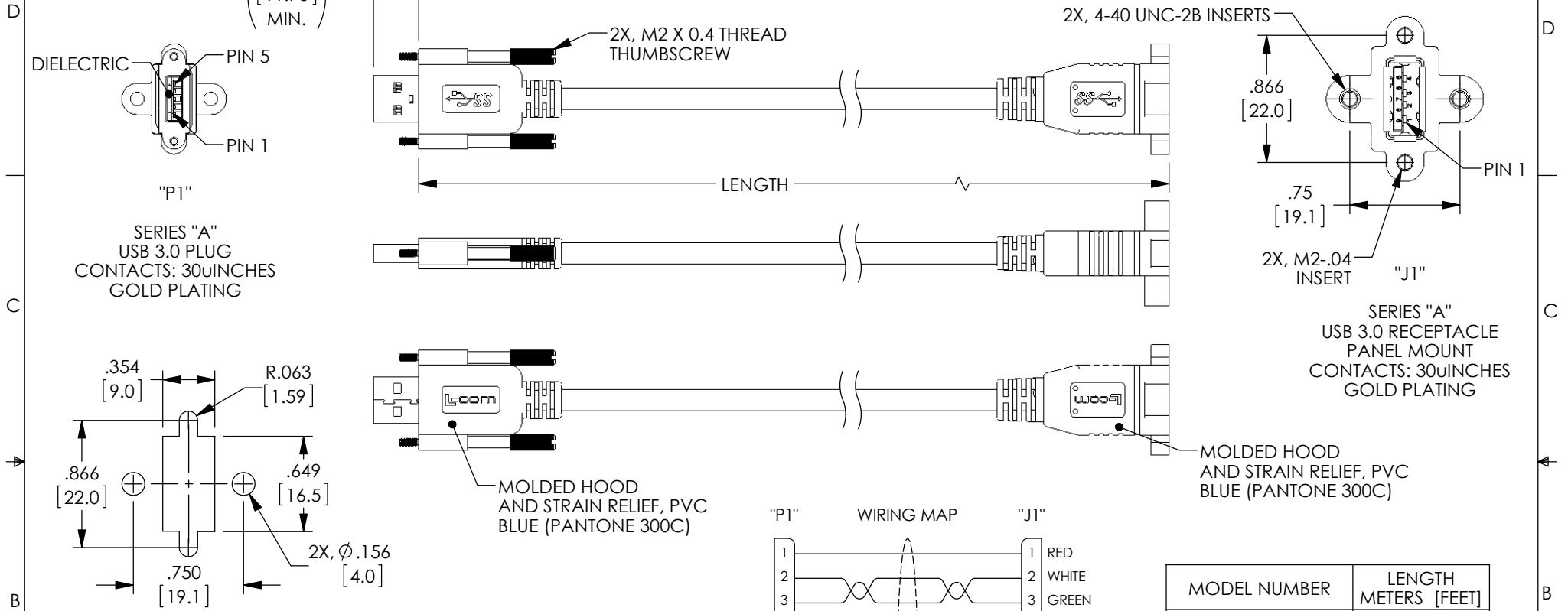


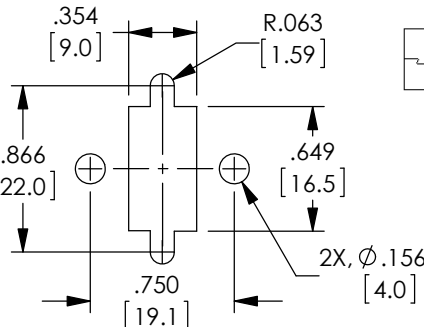
THE INFORMATION CONTAINED IN THIS DRAWING IS THE SOLE PROPERTY OF L-COM, INC. ANY REPRODUCTION IN PART OR WHOLE WITHOUT THE WRITTEN PERMISSION OF L-COM, INC. IS PROHIBITED.

REVISIONS			
REV	DESCRIPTION	DATE	APPROVED
A	INITIAL RELEASE	9/30/15	D.GRIFFIN

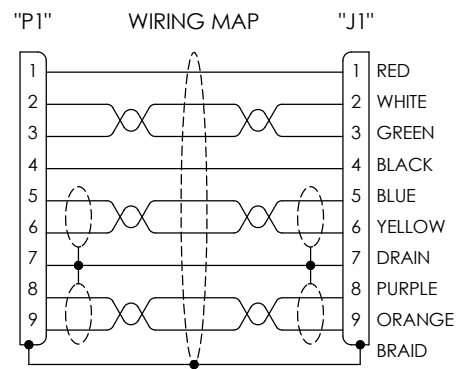


SERIES "A"
USB 3.0 PLUG
CONTACTS: 30uINCHES
GOLD PLATING

SERIES "A"
USB 3.0 RECEPTACLE
PANEL MOUNT
CONTACTS: 30uINCHES
GOLD PLATING



RECOMMENDED
PANEL CUTOUT



MODEL NUMBER	LENGTH METERS [FEET]
UPMVISAA30-03M	.3 [1.1]
UPMVISAA30-05M	.5 [1.64]
UPMVISAA30-1M	1.0 [3.28]
UPMVISAA30-2M	2.0 [6.56]

NOTES:
CABLE: UL STYLE 20276, (2X) TWISTED PAIR, 30AWG WITH ALUM/POLY FOIL SHIELD AND DRAIN WIRE. (1) UNSHIELDED TWISTED PAIR, 30AWG. (2) COND., 24AWG. OVERALL BRAID SHIELD
JACKET: PVC, BLUE (PANTONE 300C)

MISCELLANEOUS:
CABLE ASSEMBLY SHALL BE TESTED FOR CONTINUITY.
CABLE ASSEMBLY SHALL HAVE 360° SHIELD TERMINATION.
CABLE ASSEMBLY MUST MEET USB 3.0 REQUIREMENTS.
CABLE ASSEMBLY SHALL BE INDIVIDUALLY PACKAGED IN ACCORDANCE WITH L-COM SPECIFICATION PS-0031.

REGULATORY COMPLIANCE:
CE2011/65/EU(RoHS DIRECTIVE)

UNLESS OTHERWISE SPECIFIED, DIMENSIONS ARE IN INCHES [mm] OVERALL CABLE LENGTH TOLERANCE: ≤12 [305] = +1 [25] / -0 >12 [305] ≤60 [1524] = +2 [51] / -0 >60 [1524] ≤120 [3048] = +4 [102] / -0 >120 [3048] ≤300 [7620] = +6 [152] / -0 >300 [7620] = +5% / -0% ALL OTHER DIMENSIONAL TOLERANCES: .X = ±.2 [5.08] .XX = ±.02 [51] .XXX = ±.005 [1.27]	APPROVALS	DATE		45 BEECHWOOD DRIVE NORTH ANDOVER, MA 01845		
	DRAWN BY D.FRISIELLO	4/27/15				
	CHECKED BY D.CASTRO	6/9/15	CATEGORY	USB 3.0 VISION		
	APPROVED BY S.SMITH	6/9/15	PRODUCT DESCRIPTION	CA USB3.0 A/F PNL MNT		
PROJECTION 	CONFIGURATION DETAILS OF UNDIMENSIONED FEATURES MAY VARY	COLOR VARIATIONS MAY OCCUR	SIZE A	FSCM NO. 43321	DWG. NO. UPMVISAA30	REV. A
SCALE: NONE			CAD FILE: UPMVISAA30.SLDDRW		SHEET 1 OF 1	