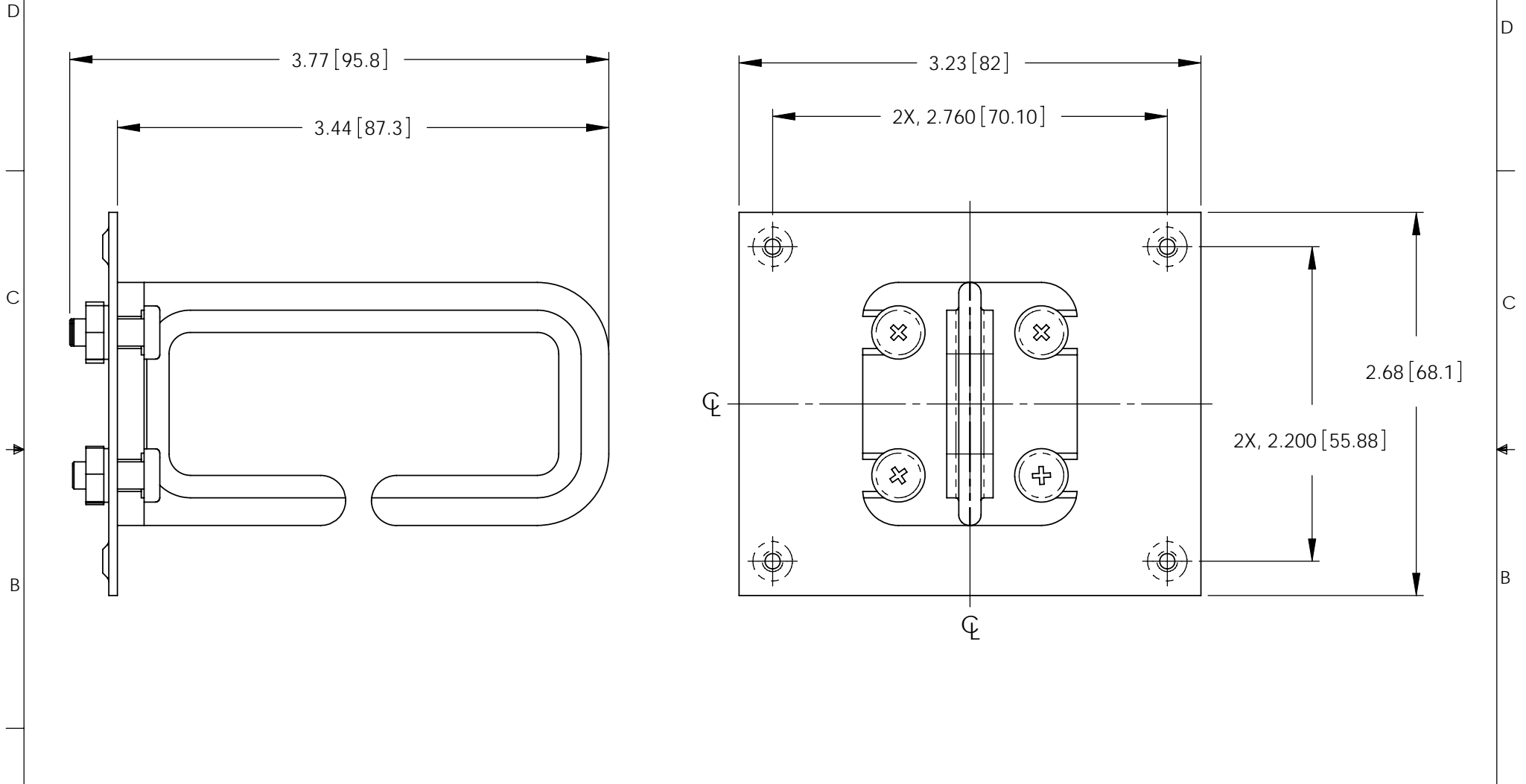


THE INFORMATION CONTAINED IN THIS DRAWING IS THE SOLE PROPERTY OF L-COM, INC. ANY REPRODUCTION IN PART OR WHOLE WITHOUT THE WRITTEN PERMISSION OF L-COM, INC. IS PROHIBITED.

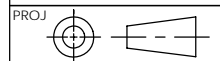
REVISIONS			
REV	DESCRIPTION	DATE	APPROVED
A	INITIAL RELEASE	3/16/07	D.FRISIELLO



NOTES:

1. PANEL MATERIAL: .06 [1.5] THK COLD ROLLED STEEL.
2. PANEL FINISH: FLAT BLACK POWDER COAT.
3. KIT CONTAINS ALL HARDWARE AND IS SHIPPED UN-ASSEMBLED.

DIMENSIONS ARE IN INCHES [mm]
 UNLESS OTHERWISE SPECIFIED,
 TOLERANCES TO BE:
 .X ± 1 [25] ANGLES ± 2°
 .XX ± 0.1 [25]
 .XXX ± 0.05 [13]
 OVERALL CABLE LENGTH TOL:
 ≤ 60 [1524] +3 [76.2] / - 0
 > 60 [1524] +5% / -0%



APPROVALS	DATE
DRAWN BY D.FRISIELLO	3/16/07
CHECKED BY P.McNEIL	3/16/07
APPROVED BY J.ROBERTS	3/16/07

CONFIGURATION DETAILS OF
 UNDIMENSIONED FEATURES
 MAY VARY

L-com CONNECTIVITY PRODUCTS		45 BEECHWOOD DRIVE NORTH ANDOVER, MA 01845	
CATEGORY USP SUB PANEL			
PRODUCT DESCRIPTION USP SUB PANEL, WITH CABLE MINDER			
SIZE A	FSCM NO. 43321	DWG. NO. USP-CM134B	REV. A
SCALE: FULL		CAD FILE: USP-CM134B.SLDDRW	SHEET 1 OF 1