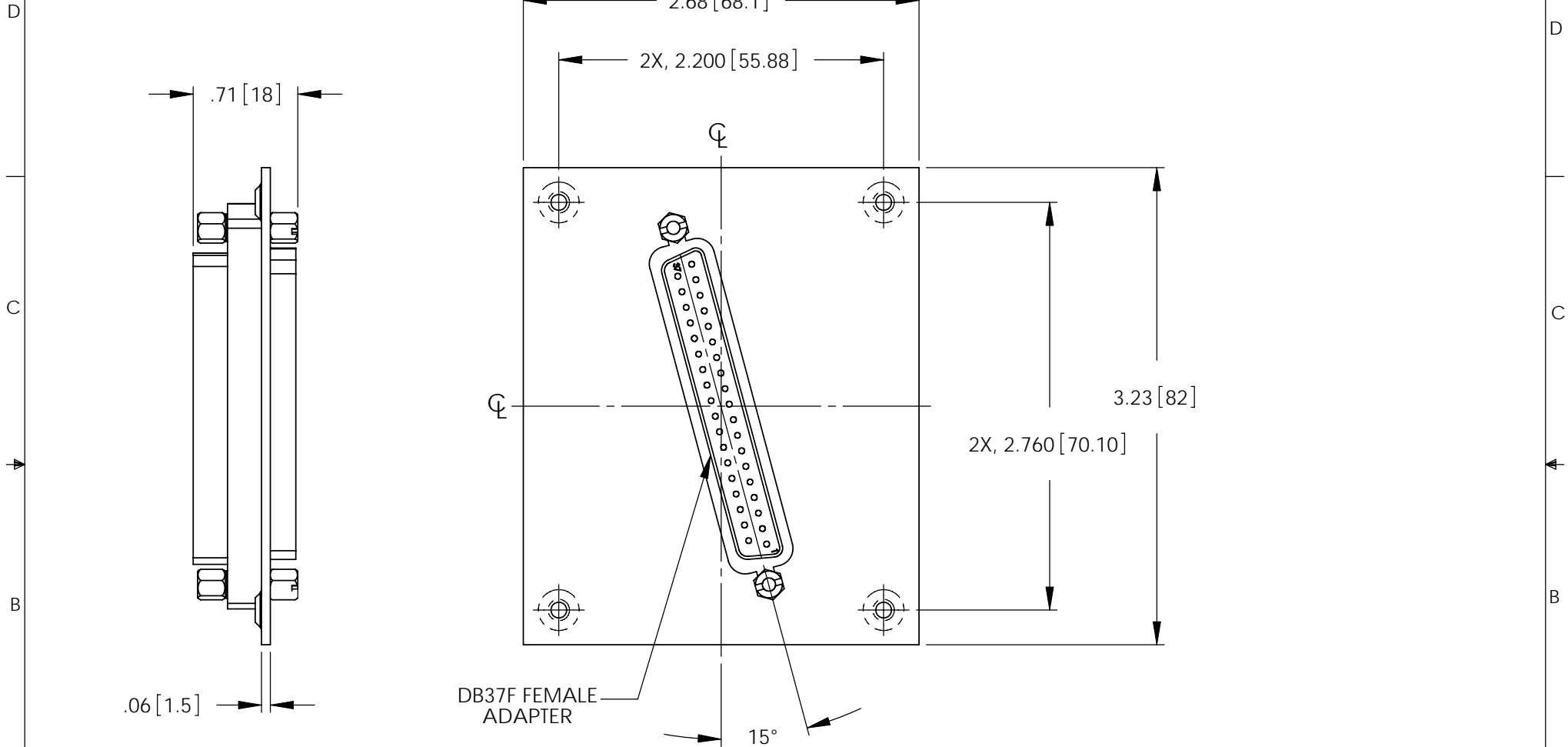


THE INFORMATION CONTAINED IN THIS DRAWING IS THE SOLE PROPERTY OF L-COM, INC. ANY REPRODUCTION IN PART OR WHOLE WITHOUT THE WRITTEN PERMISSION OF L-COM, INC. IS PROHIBITED.

| REVISIONS | | | |
|-----------|-----------------------------|---------|-------------|
| REV | DESCRIPTION | DATE | APPROVED |
| A | INITIAL RELEASE | 3/20/07 | D.FRISIELLO |
| B | ECN 2802: REMOVE L-COM LOGO | 3/30/07 | D.FRISIELLO |
| | | | |



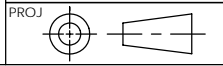
DB37F FEMALE ADAPTER

15°

NOTES:

1. PANEL MATERIAL: .06 [1.5] THK COLD ROLLED STEEL.
2. PANEL FINISH: FLAT BLACK POWDER COAT.
3. KIT CONTAINS 4, #6-32 UNC SCREWS.

DIMENSIONS ARE IN INCHES [mm]
 UNLESS OTHERWISE SPECIFIED,
 TOLERANCES TO BE:
 .X ±.1 [2.5] ANGLES ±2°
 .XX ±.01 [0.25]
 .XXX ±.005 [0.13]
 OVERALL CABLE LENGTH TOL:
 ≤ 60 [1524] +3 [76.2] / - 0
 > 60 [1524] +5% / -0%



| APPROVALS | DATE |
|--------------------------|---------|
| DRAWN BY D.FRISIELLO | 3/20/07 |
| CHECKED BY P.McNEIL | 3/20/07 |
| APPROVED BY J.ROBERTS | 3/20/07 |

CONFIGURATION DETAILS OF UNDIMENSIONED FEATURES MAY VARY

| | | | |
|---------------------------------------|--------------------------|--|------------------|
| L-com CONNECTIVITY PRODUCTS | | 45 BEECHWOOD DRIVE NORTH ANDOVER, MA 01845 | |
| CATEGORY | | USP SUB PANEL | |
| PRODUCT DESCRIPTION | | USP SUB PANEL, W/DB37F FEMALE COUPLER | |
| SIZE A | FSCM NO. 43321 | DWG. NO. USP-DB37FB | REV. B |
| SCALE: FULL | | CAD FILE: USP-DB37FB.SLDDRW | SHEET 1 OF 1 |