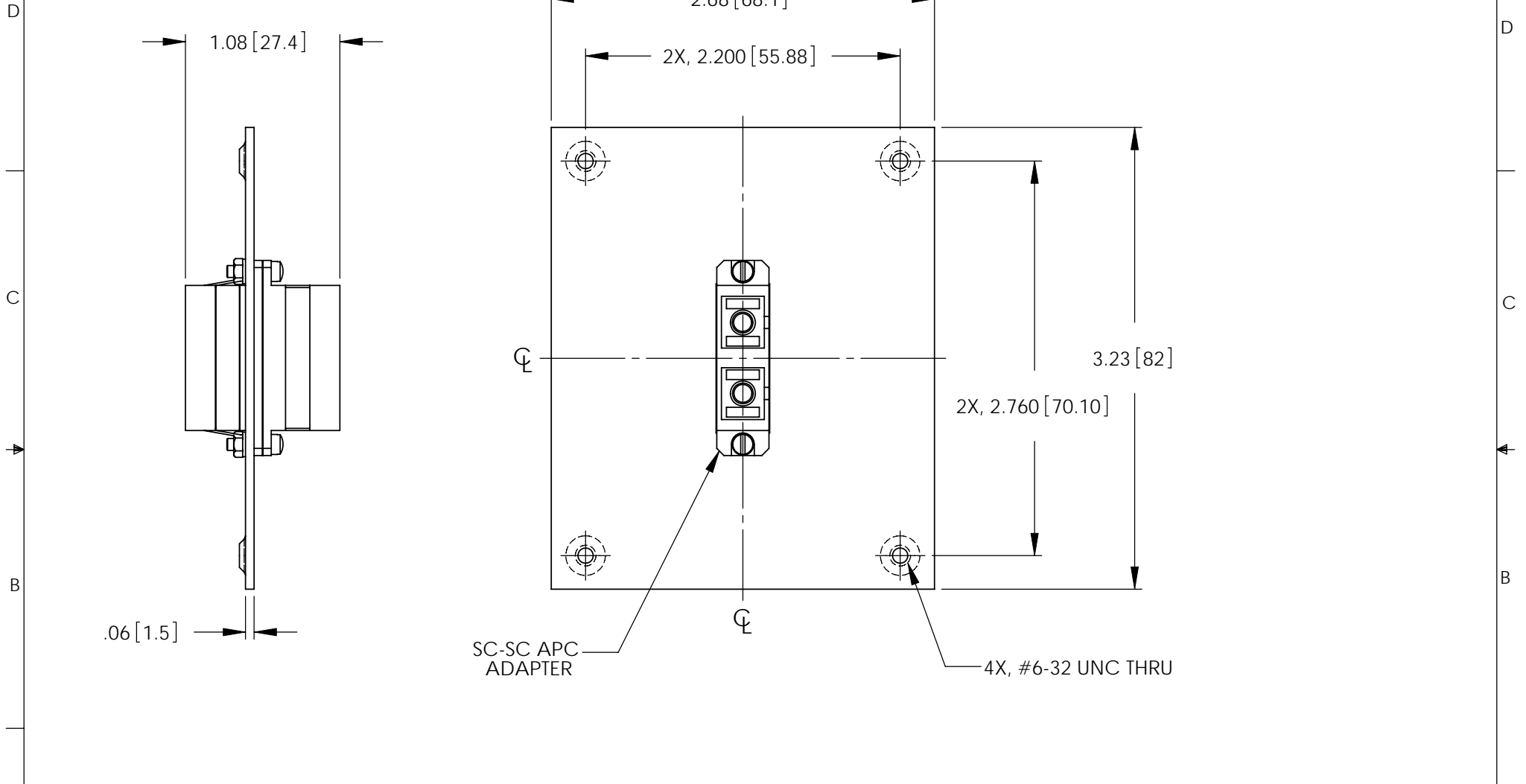


THE INFORMATION CONTAINED IN THIS DRAWING IS THE SOLE PROPERTY OF L-COM, INC. ANY REPRODUCTION IN PART OR WHOLE WITHOUT THE WRITTEN PERMISSION OF L-COM, INC. IS PROHIBITED.

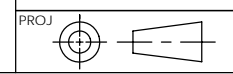
REVISIONS			
REV	DESCRIPTION	DATE	APPROVED
A	INITIAL RELEASE	7/18/07	D.FRISIELLO



NOTES:

1. PANEL MATERIAL: .06 [1.5] THK COLD ROLLED STEEL.
2. PANEL FINISH: FLAT BLACK POWDER COAT.
3. KIT CONTAINS 4, #6-32 UNC SCREWS.
4. SUPPLIED WITH DUST CAPS ON COUPLER.

DIMENSIONS ARE IN INCHES [mm]
 UNLESS OTHERWISE SPECIFIED,
 TOLERANCES TO BE:
 .X ± .1 [2.5] ANGLES ± 2°
 .XX ± .01 [.25]
 .XXX ± .005 [.13]
 OVERALL CABLE LENGTH TOL:
 ≤ 60 [1524] +3 [76.2] / - 0
 > 60 [1524] +5% / -0%



APPROVALS	DATE
DRAWN BY D.FRISIELLO	7/18/07
CHECKED BY P.McNEIL	7/18/07
APPROVED BY P.McNEIL	7/18/07

CONFIGURATION DETAILS OF
 UNDIMENSIONED FEATURES
 MAY VARY

L-com CONNECTIVITY PRODUCTS		45 BEECHWOOD DRIVE NORTH ANDOVER, MA 01845	
CATEGORY USP SUB PANEL			
PRODUCT DESCRIPTION USP SUB PANEL, W/SC-SC COUPLER			
SIZE A	FSCM NO. 43321	DWG. NO. USP1DSC-APC	REV. A
SCALE: FULL		CAD FILE: USP1DSC-APC.SLDDRW	SHEET 1 OF 1