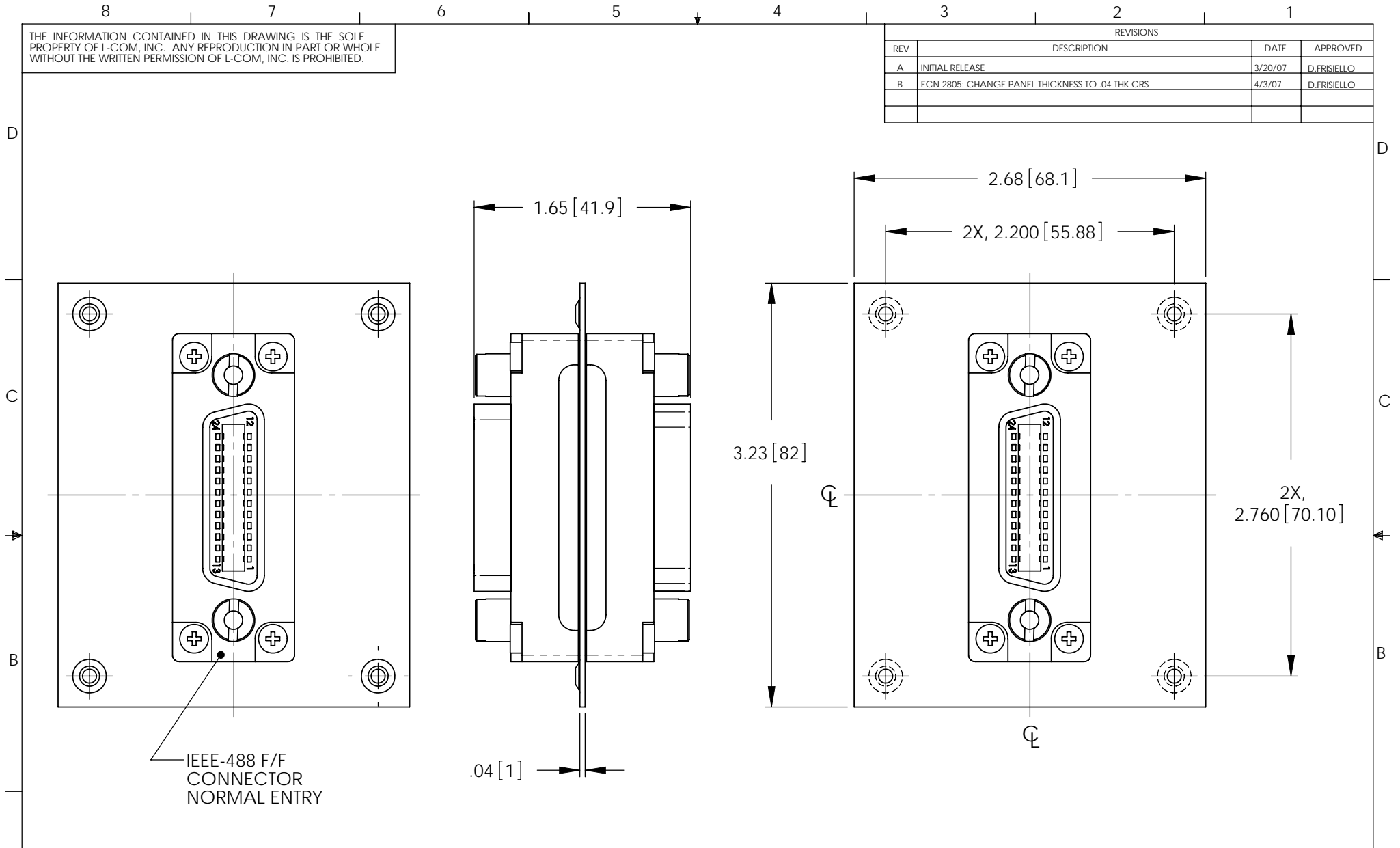


THE INFORMATION CONTAINED IN THIS DRAWING IS THE SOLE PROPERTY OF L-COM, INC. ANY REPRODUCTION IN PART OR WHOLE WITHOUT THE WRITTEN PERMISSION OF L-COM, INC. IS PROHIBITED.

REVISIONS			
REV	DESCRIPTION	DATE	APPROVED
A	INITIAL RELEASE	3/20/07	D.FRISIELLO
B	ECN 2805: CHANGE PANEL THICKNESS TO .04 THK CRS	4/3/07	D.FRISIELLO

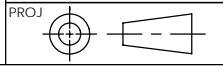


IEEE-488 F/F  
CONNECTOR  
NORMAL ENTRY

NOTES:

1. PANEL MATERIAL: .04 [1.0] THK COLD ROLLED STEEL.
2. PANEL FINISH: FLAT BLACK POWDER COAT.
3. KIT CONTAINS 4, #6-32 UNC SCREWS.

DIMENSIONS ARE IN INCHES [mm]  
UNLESS OTHERWISE SPECIFIED,  
TOLERANCES TO BE:  
.X ± 1 [25] ANGLES ± 2°  
.XX ± 0.1 [25]  
.XXX ± 0.05 [13]  
OVERALL CABLE LENGTH TOL:  
≤ 60 [1524] +3 [76.2] / - 0  
> 60 [1524] +5% / -0%



APPROVALS	DATE
DRAWN BY D.FRISIELLO	3/20/07
CHECKED BY P.McNEIL	3/20/07
APPROVED BY J.ROBERTS	3/20/07

CONFIGURATION DETAILS OF  
UNDIMENSIONED FEATURES  
MAY VARY

<b>L-com</b> CONNECTIVITY PRODUCTS		45 BEECHWOOD DRIVE NORTH ANDOVER, MA 01845	
CATEGORY USP SUB PANEL			
PRODUCT DESCRIPTION USP SUB PANEL, IEEE-488 BULKHEAD COUPLER, NORMAL ENTRY			
SIZE <b>A</b>	FSCM NO. <b>43321</b>	DWG. NO. <b>USP24BFB</b>	REV. <b>B</b>
SCALE: FULL		CAD FILE: USP24BFB.SLDDRW	SHEET 1 OF 1