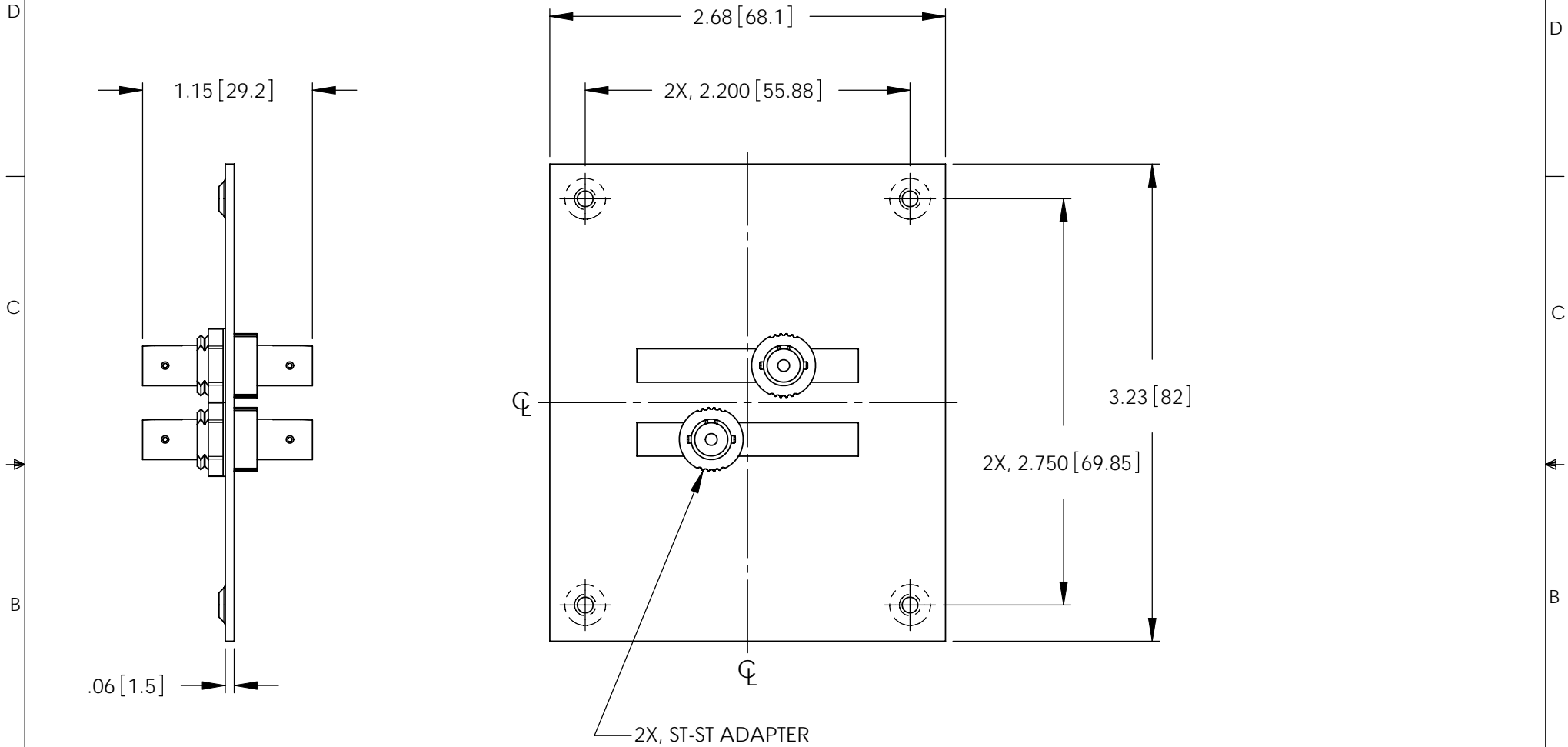


THE INFORMATION CONTAINED IN THIS DRAWING IS THE SOLE PROPERTY OF L-COM, INC. ANY REPRODUCTION IN PART OR WHOLE WITHOUT THE WRITTEN PERMISSION OF L-COM, INC. IS PROHIBITED.

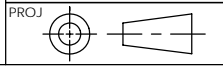
REVISIONS			
REV	DESCRIPTION	DATE	APPROVED
A	INITIAL RELEASE	3/16/07	D.FRISIELLO



NOTES:

1. PANEL MATERIAL: .06 [1.5] THK COLD ROLLED STEEL.
2. PANEL FINISH: FLAT BLACK POWDER COAT.
3. KIT CONTAINS 4, #6-32 UNC SCREWS.

DIMENSIONS ARE IN INCHES [mm]  
 UNLESS OTHERWISE SPECIFIED,  
 TOLERANCES TO BE:  
 .X ± 1 [25] ANGLES ± 2°  
 .XX ± 0.1 [2.5]  
 .XXX ± 0.05 [1.3]  
 OVERALL CABLE LENGTH TOL:  
 ≤ 60 [1524] +3 [76.2] / - 0  
 > 60 [1524] +5% / -0%



APPROVALS	DATE
DRAWN BY D.FRISIELLO	3/16/07
CHECKED BY P.McNEIL	3/16/07
APPROVED BY J.ROBERTS	3/16/07

CONFIGURATION DETAILS OF  
 UNDIMENSIONED FEATURES  
 MAY VARY

**L-com** 45 BEECHWOOD DRIVE  
 CONNECTIVITY PRODUCTS NORTH ANDOVER, MA  
 01845

CATEGORY  
 USP SUB PANEL

PRODUCT DESCRIPTION  
 USP SUB PANEL, W/2 ST-ST COUPLER

SIZE <b>A</b>	FSCM NO. <b>43321</b>	DWG. NO. USP2FOPTB	REV. <b>A</b>
SCALE: FULL		CAD FILE: USP2FOPTB.SLDDRW	SHEET 1 OF 1