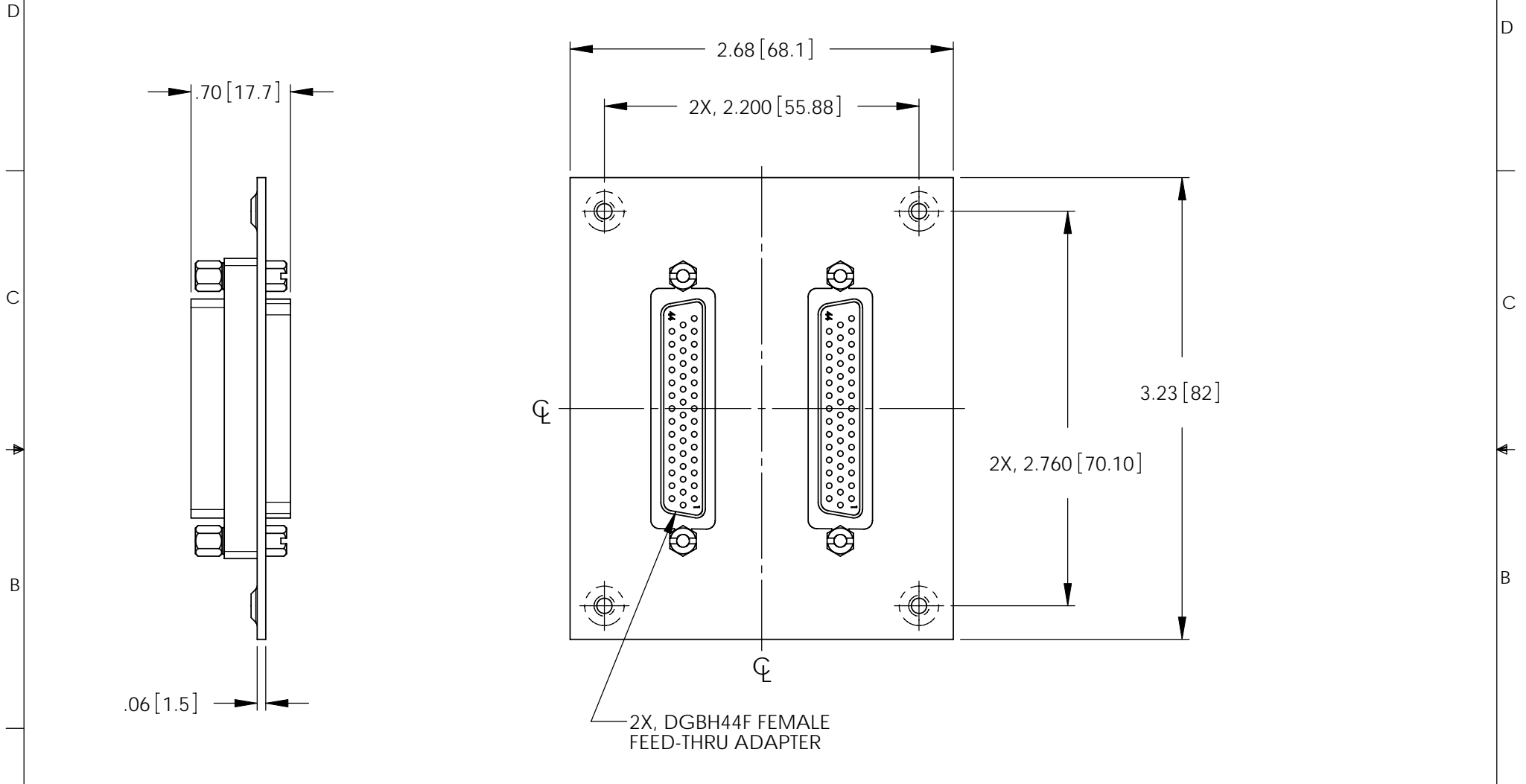


THE INFORMATION CONTAINED IN THIS DRAWING IS THE SOLE PROPERTY OF L-COM, INC. ANY REPRODUCTION IN PART OR WHOLE WITHOUT THE WRITTEN PERMISSION OF L-COM, INC. IS PROHIBITED.

REVISIONS			
REV	DESCRIPTION	DATE	APPROVED
A	INITIAL RELEASE	3/16/07	D.FRISIELLO
B	ECN 2802: REMOVE L-COM LOGO	3/30/07	D.FRISIELLO



2X, DGBH44F FEMALE FEED-THRU ADAPTER

NOTES:

1. PANEL MATERIAL: .06 [1.5] THK COLD ROLLED STEEL.
2. PANEL FINISH: FLAT BLACK POWDER COAT.
3. KIT CONTAINS 4, #6-32 UNC SCREWS.

DIMENSIONS ARE IN INCHES [mm]	
UNLESS OTHERWISE SPECIFIED, TOLERANCES TO BE:	
.X ± 1 [25]	ANGLES ±2°
.XX ± 0.1 [2.5]	
.XXX ± 0.05 [1.3]	
OVERALL CABLE LENGTH TOL:	
≤ 60 [1524]	+3 [76.2] / - 0
> 60 [1524]	+5% / -0%
PROJ	

APPROVALS	DATE
DRAWN BY D.FRISIELLO	3/16/07
CHECKED BY P.McNEIL	3/16/07
APPROVED BY J.ROBERTS	3/16/07
CONFIGURATION DETAILS OF UNDIMENSIONED FEATURES MAY VARY	

		45 BEECHWOOD DRIVE NORTH ANDOVER, MA 01845	
CATEGORY USP SUB PANEL			
PRODUCT DESCRIPTION USP SUB PANEL, W/2 DGBH44F FEMALE FEED-THRU COUPLER			
SIZE <b>A</b>	FSCM NO. <b>43321</b>	DWG. NO. USP2HDB44FB	REV. <b>B</b>
SCALE: FULL		CAD FILE: USP2HDB44FB.SLDDRW	SHEET 1 OF 1