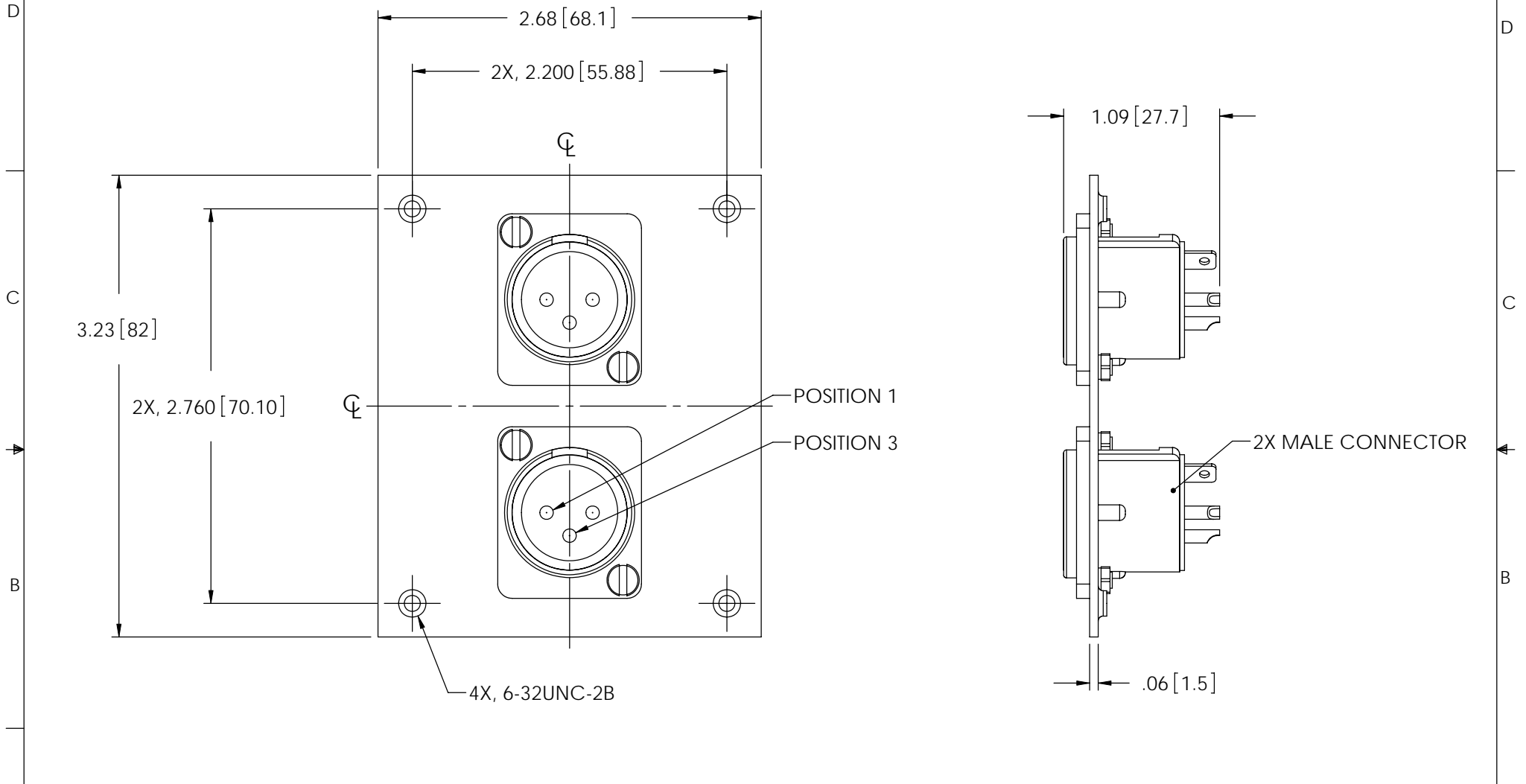


THE INFORMATION CONTAINED IN THIS DRAWING IS THE SOLE PROPERTY OF L-COM, INC. ANY REPRODUCTION IN PART OR WHOLE WITHOUT THE WRITTEN PERMISSION OF L-COM, INC. IS PROHIBITED.

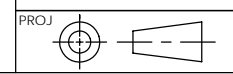
REVISIONS			
REV	DESCRIPTION	DATE	APPROVED
1	PRELIMINARY RELEASE	12/18/06	D.PARHAM
A	INITIAL RELEASE	3/28/07	D.FRISIELLO



**NOTES**

1. PANEL MATERIAL: .06 [1.5] THK COLD ROLLED STEEL.
2. PANEL: FINISH: FLAT BLACK POWDER COAT.
3. ALL DIMENSIONS ARE FOR REFERENCE ONLY.
4. KIT CONTAINS 4, #6-32 UNC SCREWS.

DIMENSIONS ARE IN INCHES [mm]  
 UNLESS OTHERWISE SPECIFIED,  
 TOLERANCES TO BE:  
 .X ±.1 [2.5] ANGLES ±2°  
 .XX ±.01 [0.25]  
 .XXX ±.005 [0.13]  
 OVERALL CABLE LENGTH TOL:  
 ≤ 60 [1524] +3 [76.2] / - 0  
 > 60 [1524] +5% / -0%



APPROVALS	DATE
DRAWN BY D.PARHAM	12/18/2006
CHECKED BY P.McNEIL	3/28/07
APPROVED BY J.ROBERTS	3/28/07

CONFIGURATION DETAILS OF  
 UNDIMENSIONED FEATURES  
 MAY VARY

<b>L-com</b> CONNECTIVITY PRODUCTS		45 BEECHWOOD DRIVE NORTH ANDOVER, MA 01845	
CATEGORY <b>AUDIO / VIDEO</b>			
PRODUCT DESCRIPTION <b>2 XLR MALE SUB PANEL</b>			
SIZE <b>A</b>	FSCM NO. <b>43321</b>	DWG. NO. <b>USP2XLRM</b>	REV. <b>A</b>
SCALE: NONE		CAD FILE: USP2XLRM.SLDDRW	SHEET 1 OF 1